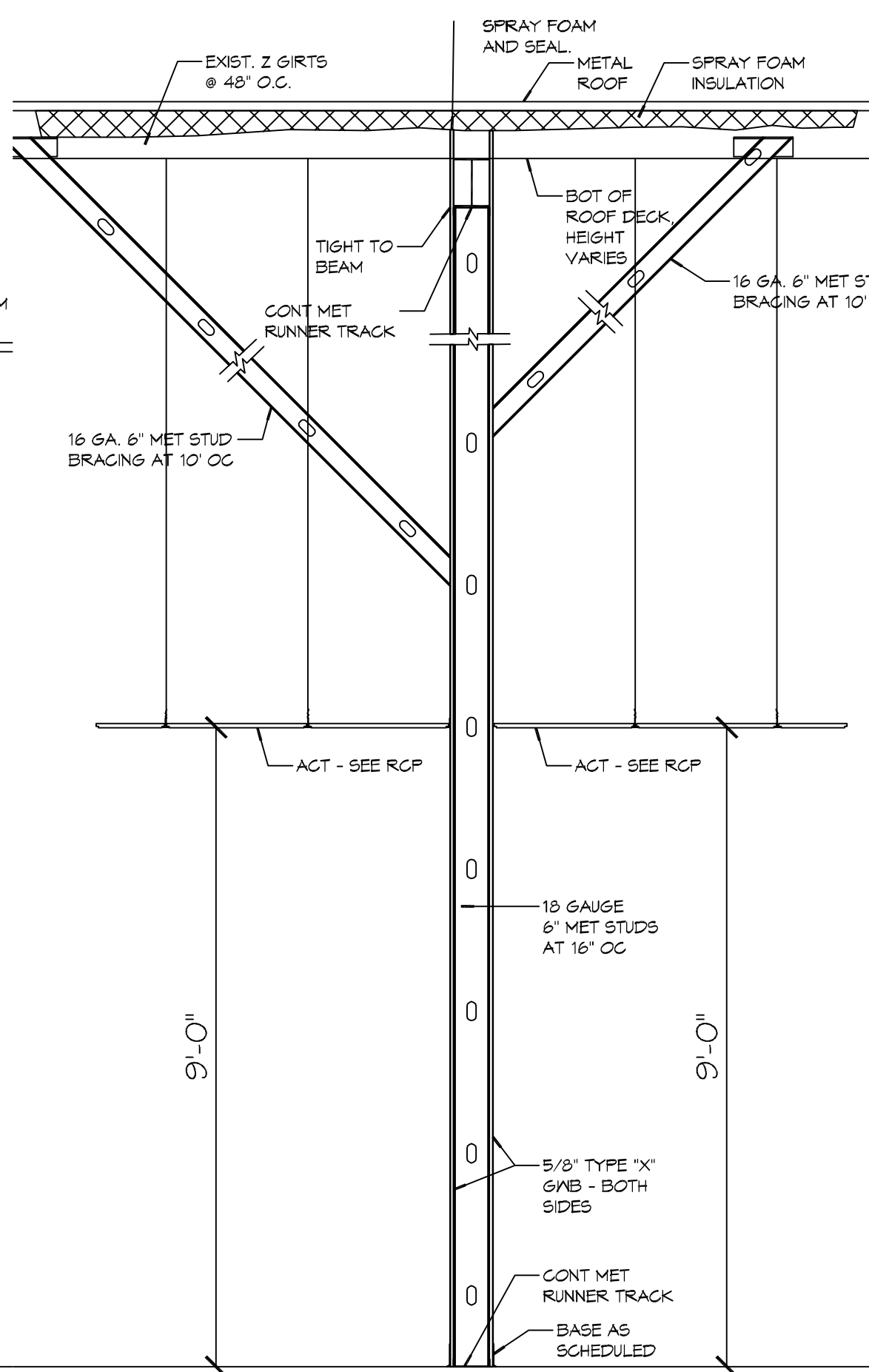
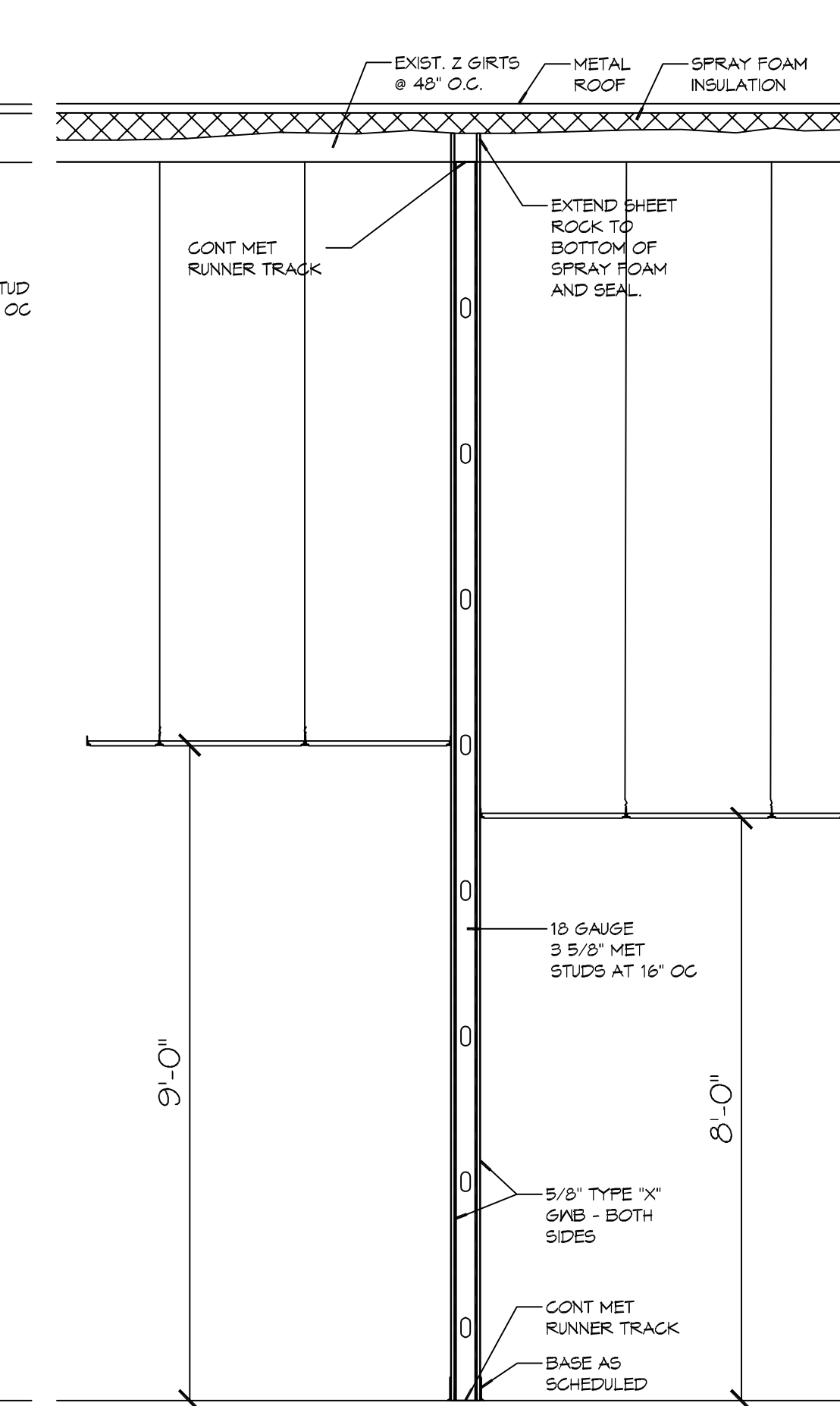


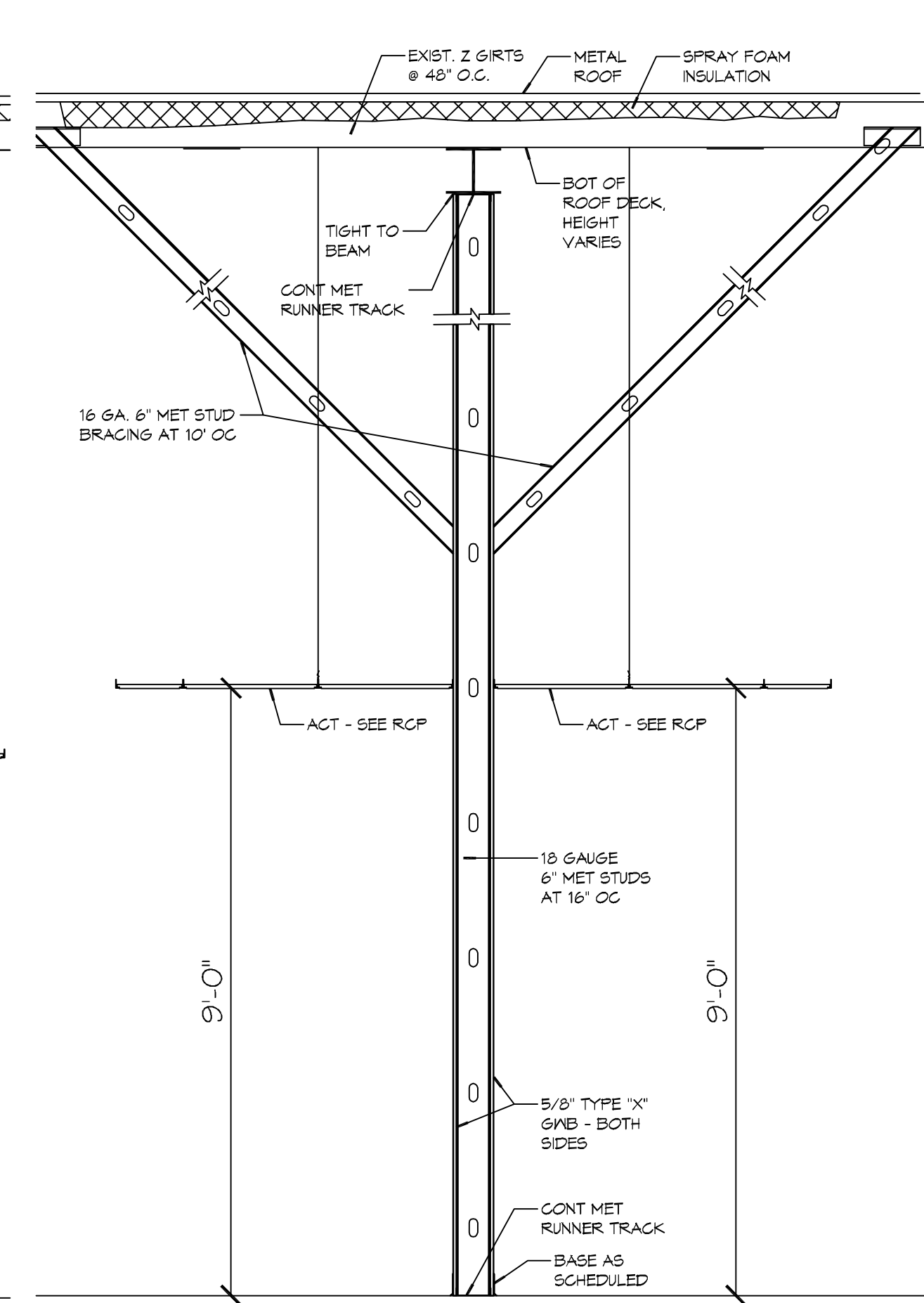
P1 PARTITION



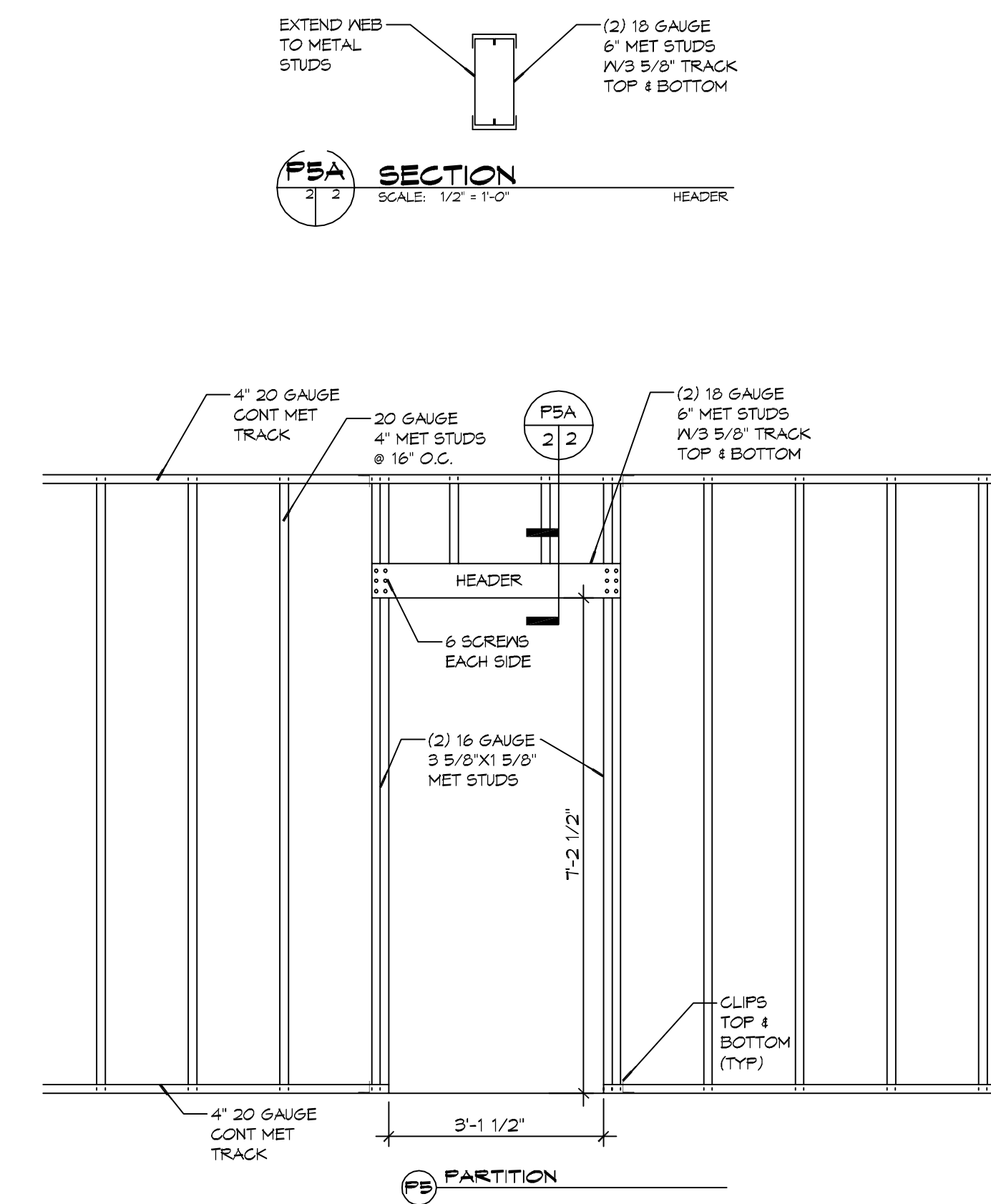
P2 PARTITION



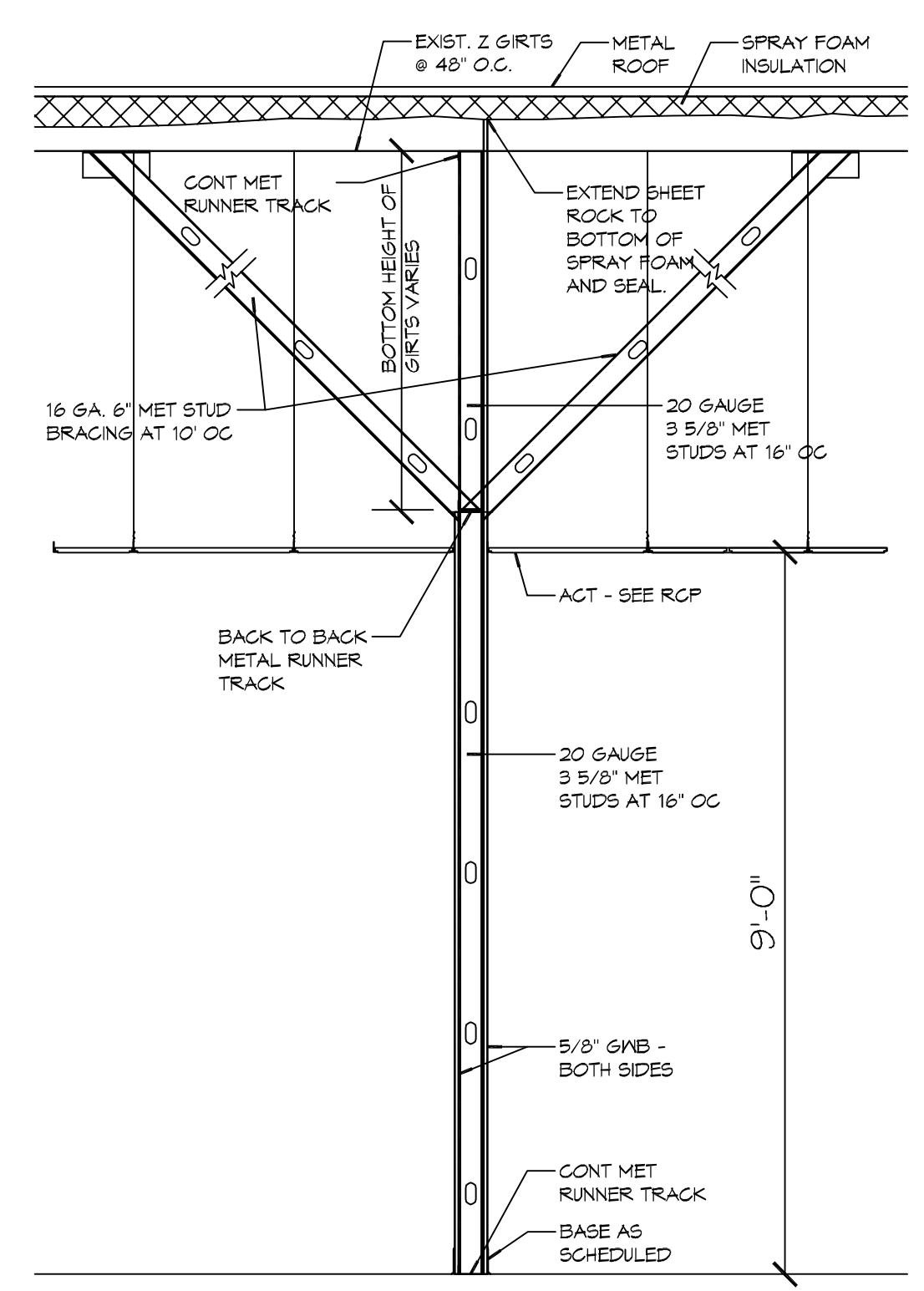
P3 PARTITION



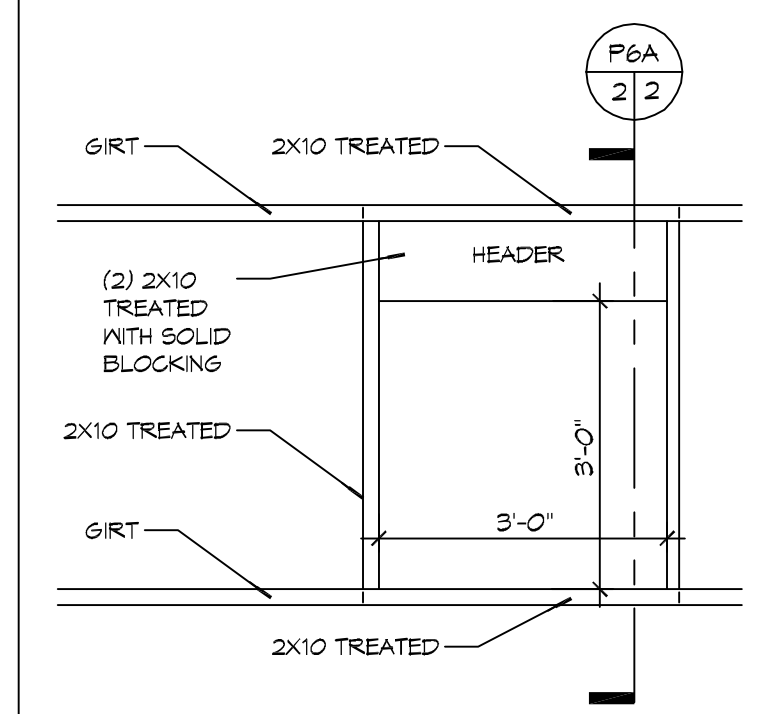
P4 PARTITION



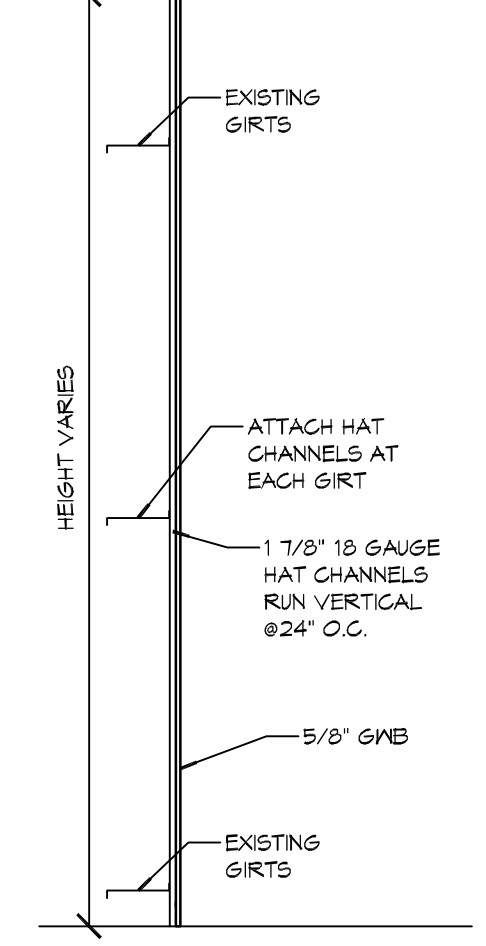
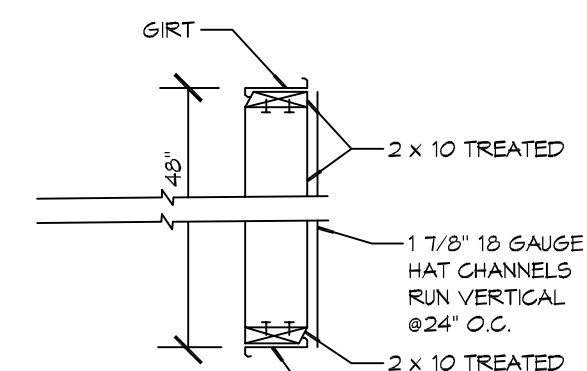
P5 PARTITION



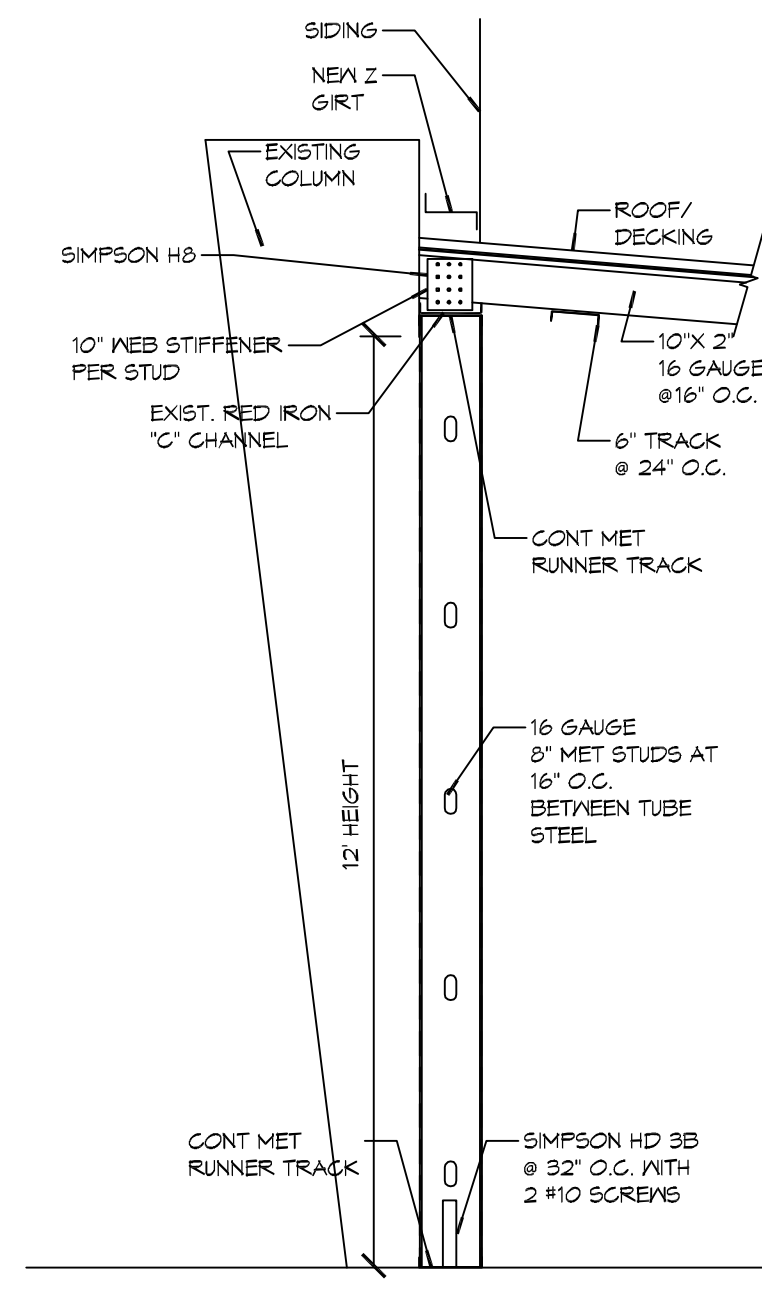
P6 PARTITION



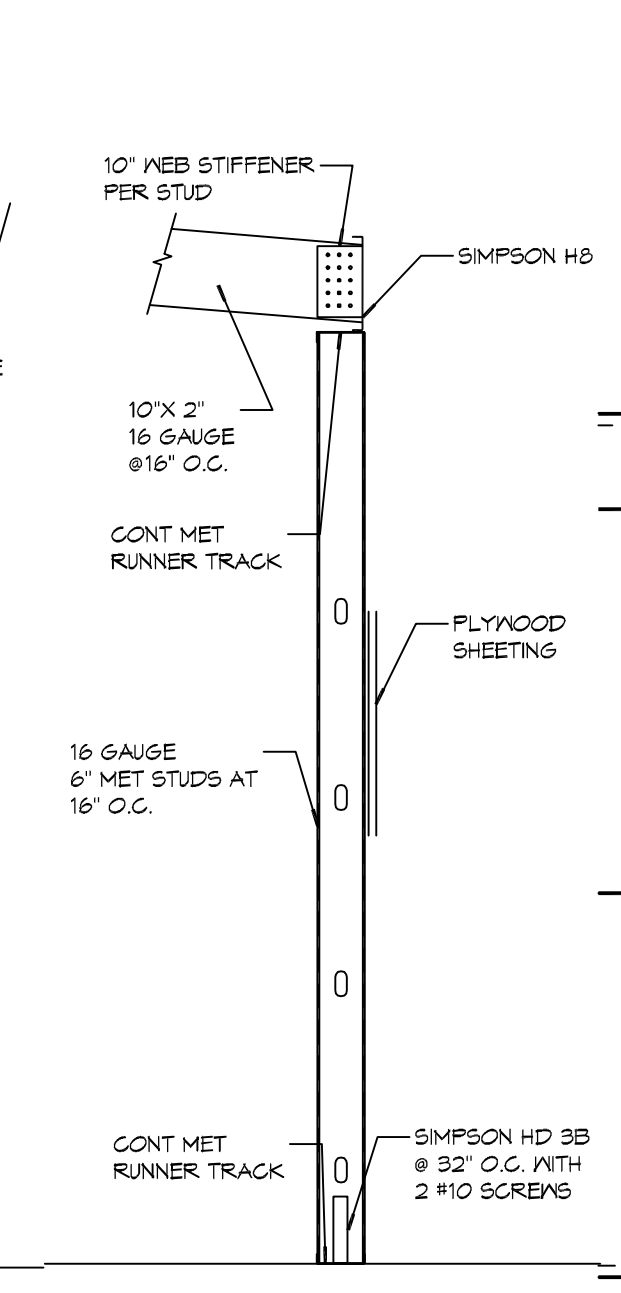
P6A SECTION  
SCALE: 1/2\"/>



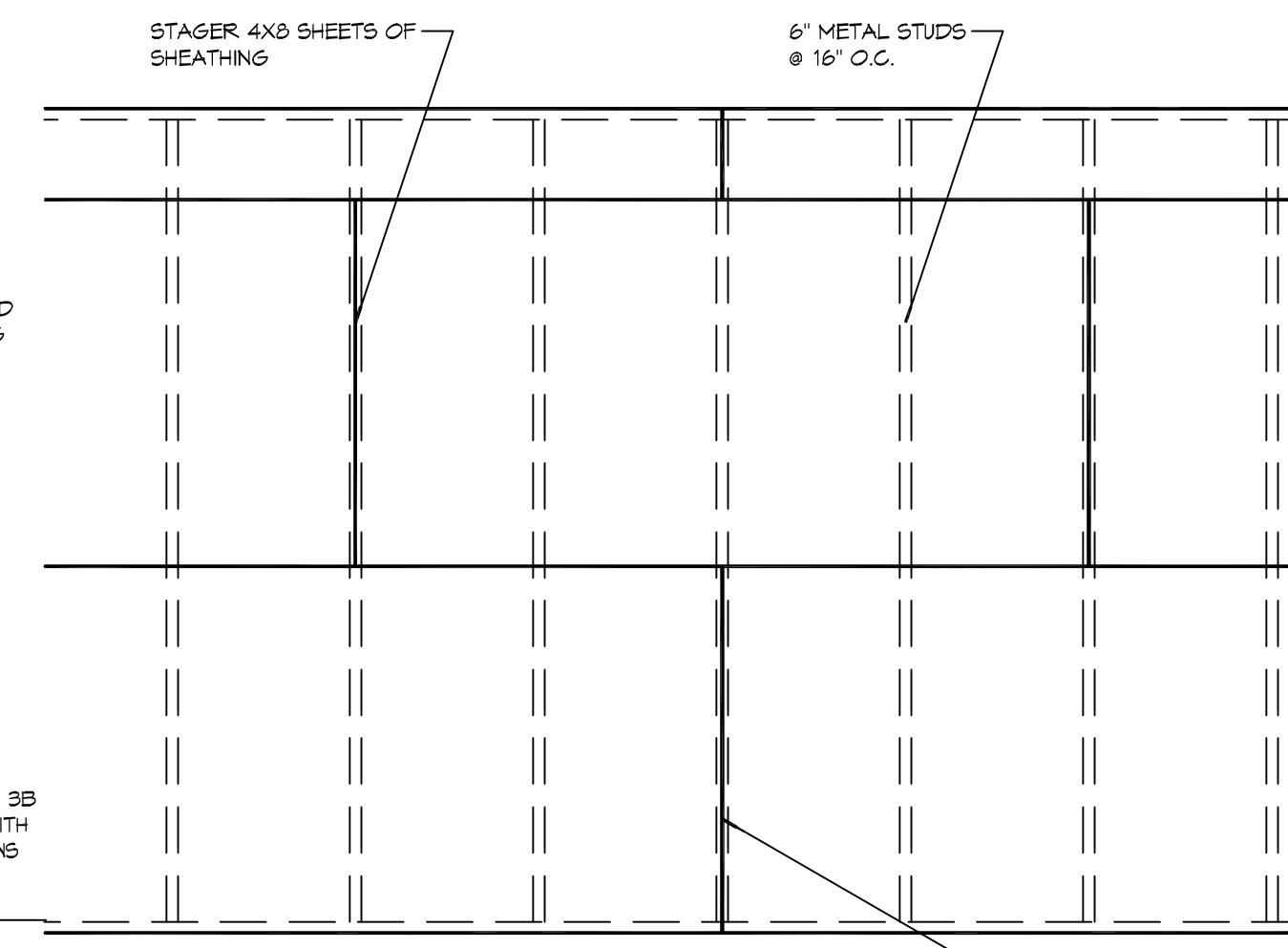
P7 PARTITION



P8 PARTITION



P9 PARTITION



P10 PARTITION

**PARTITION TYPES**  
SCALE: 1/2\"/>

THIS PLAN IS ONLY VALID ONE YEAR FROM DATE ON PLAN

**ACADIAN STRUCTURAL SOLUTIONS, INC.**  
57362 ALLEN RD, SLIDELL, LA. 70461  
PHONE (985) 641-5794 FAX (985) 641-1239  
PLANS@ACADIANS.S.COM

**DOTD YARD RENOVATION**  
ABITA SPRINGS, LA  
**CONTRACTOR LOCATION**

SCALE: AS NOTED
DATE: 10-12-18
DRAWN BY: -
CHKD BY: HN
ASS PROJECT #: XXX-XX

REVISIONS

DATE

SHEET  
**2**  
OF  
**2**

CERT. # 5160