

OPENING IN WALL FOR CARRIER TUBE TO BE FILLED BY G.C. AFTER TUBE INSTALL

48" RECOMMENDED 72" MAX.

700 SERIES TELLER TERMINAL  
MODEL 701  
DO NOT SCALE

CONTROL & AUDIO CABLE(SEE NOTE)  
120 V 15 A CIRCUIT(SEE NOTE)

700 SERIES CUSTOMER TERMINAL  
MODEL 702

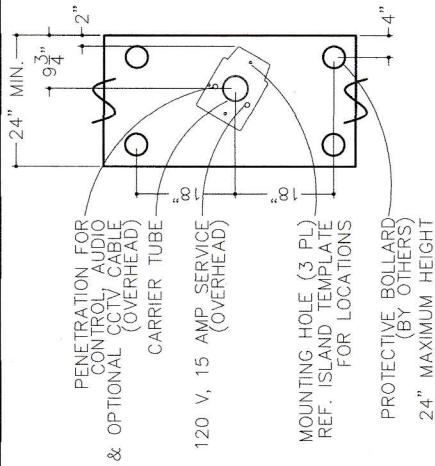
**American**  
**Ault** Waco, Texas

PRODUCT APPLICATION DRAWING  
700 SERIES REMOTE TRANSACTION SYSTEM  
MODEL 700-00 PVC MODEL 700-01 STEEL



SIZE	DWG NO	DATE	SHEET
<b>B</b>	20089	01.10.09	1 OF 2

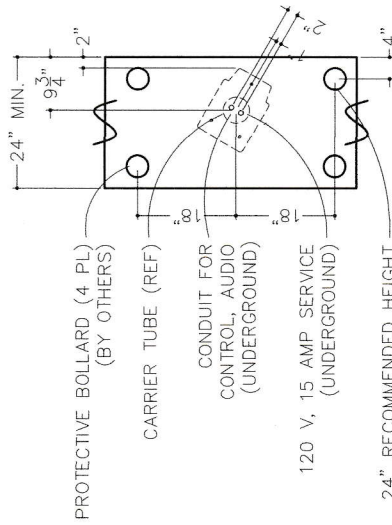
NOTE:  
1. CUSTOMER TERMINAL WILL RECEIVE OVERHEAD OR UNDERGROUND CONDUIT. IT IS THE RESPONSIBILITY OF THE OWNER/ARCHITECT/GC TO COORDINATE.  
2. SYSTEM IS AVAILABLE FOR USE WITH PVC OR STEEL TUBING. REQUEST MODEL 700-00 FOR PVC OR MODEL 700-01 FOR STEEL.



**ISLAND DETAIL**

(OVERHEAD CONDUIT INSTALLATION)

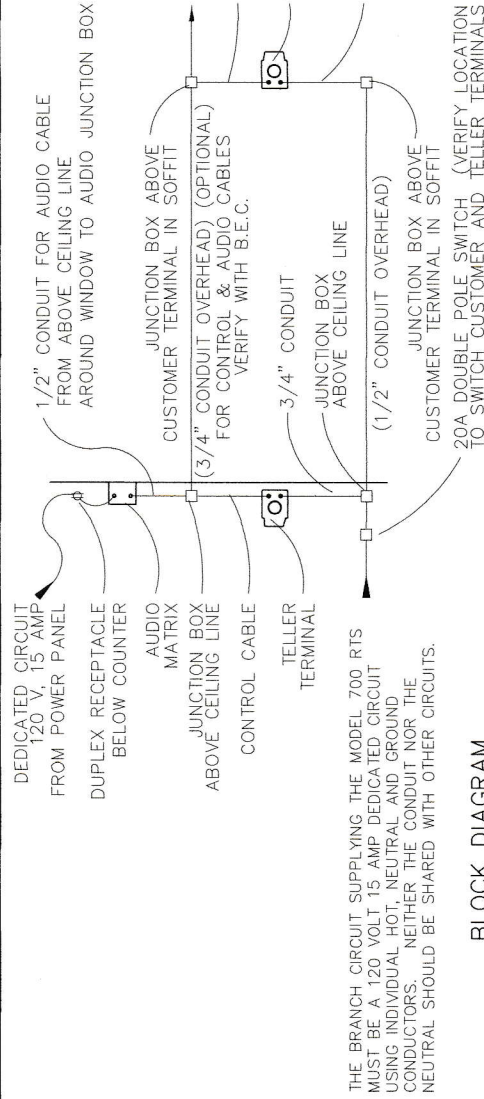
NOTE: ISLAND IS TO BE SMOOTH AND LEVEL



**ISLAND DETAIL**

(UNDERGROUND CONDUIT INSTALLATION)

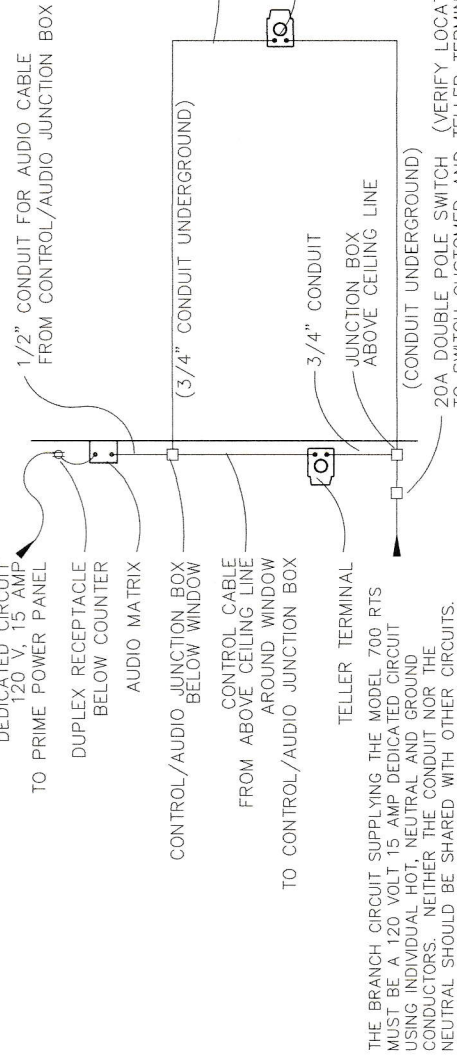
NOTE: ISLAND IS TO BE SMOOTH AND LEVEL



**BLOCK DIAGRAM**

(OVERHEAD CONDUIT INSTALLATION)

THE BRANCH CIRCUIT SUPPLYING THE MODEL 700 RTS MUST BE A 120 VOLT 15 AMP DEDICATED CIRCUIT USING INDIVIDUAL HOT, NEUTRAL AND GROUND CONDUCTORS. NEITHER THE CONDUIT NOR THE NEUTRAL SHOULD BE SHARED WITH OTHER CIRCUITS.



**BLOCK DIAGRAM**

(UNDERGROUND CONDUIT INSTALLATION)

THE BRANCH CIRCUIT SUPPLYING THE MODEL 700 RTS MUST BE A 120 VOLT 15 AMP DEDICATED CIRCUIT USING INDIVIDUAL HOT, NEUTRAL AND GROUND CONDUCTORS. NEITHER THE CONDUIT NOR THE NEUTRAL SHOULD BE SHARED WITH OTHER CIRCUITS.



**American**  
**Waco, Texas**

PRODUCT APPLICATION DRAWING  
700 SERIES REMOTE TRANSACTION SYSTEM  
MODEL 700-00 PVC MODEL 700-01 STEEL

SIZE	DWG NO	DATE	SHEET
<b>B</b>	20089	01.10.09	2 OF 2

- GENERAL NOTES:
1. ALL CONDUIT & PROPER ROUTING OF SUCH IS BY OTHERS.
  2. ALL PROTECTIVE BOLLARDS BY OTHERS.
  3. G.C. IS TO PROVIDE OPENINGS INTO BUILDING FOR ROUTING OF TUBES & SUCH. G.C. IS TO COVER OPENINGS AFTER INSTALLATION.
  4. ELECTRICIAN IS TO PROPERLY LABEL ALL CIRCUITS.
  5. CANOPY CONSTRUCTION IS TO BE SUCH THAT IT ALLOWS FOR A "STRAIGHT TUBE RUN" FROM TELLER TERMINAL TO CUSTOMER TERMINAL WITHOUT OBSTRUCTIONS.
  6. TWO EACH OF 3/4x10' POWDER COATED IMC CONDUIT ARE PROVIDED WITH EACH UNIT.
  7. IT IS THE RESPONSIBILITY OF OWNER/ARCHITECT/GC TO VERIFY ALL APPLICABLE NATIONAL, STATE & LOCAL CODES.

DO NOT SCALE

(VERIFY LOCATION WITH B.E.C.)

(VERIFY LOCATION WITH B.E.C.)