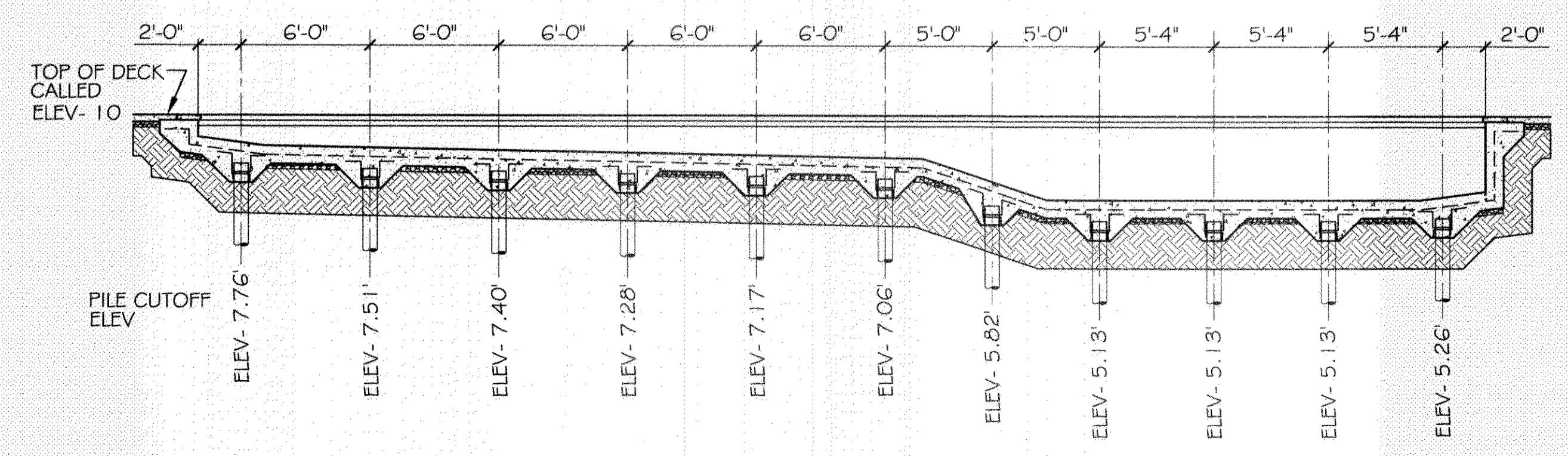
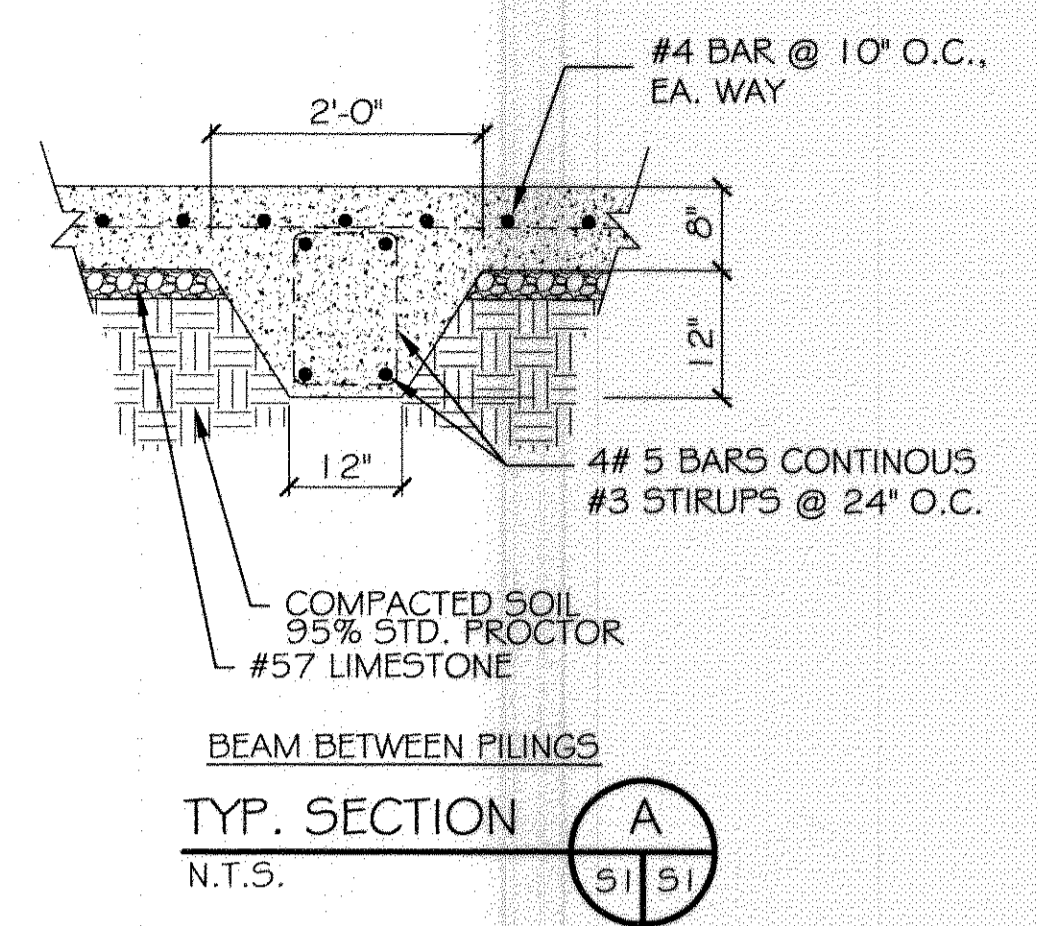


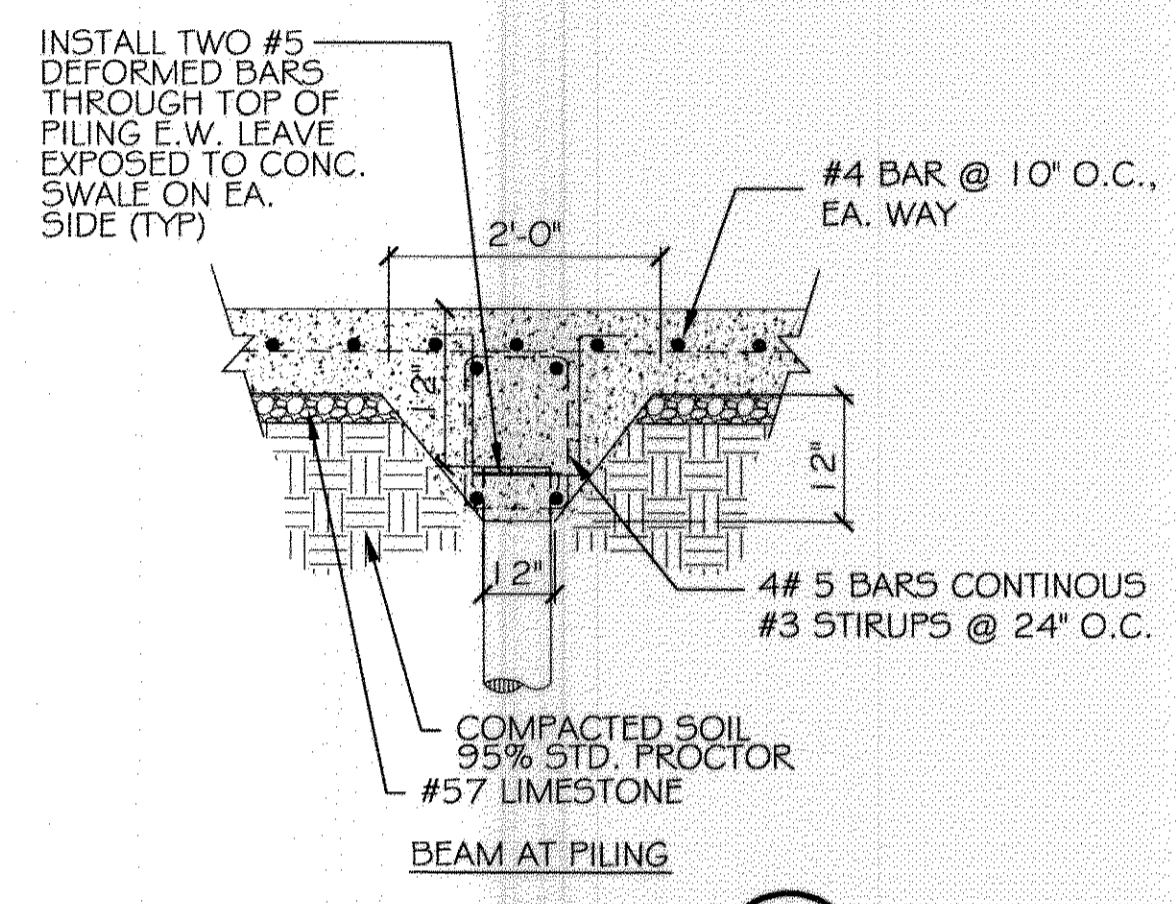
POOL PILING LAYOUT PLAN
SCALE: 3/16"=1'



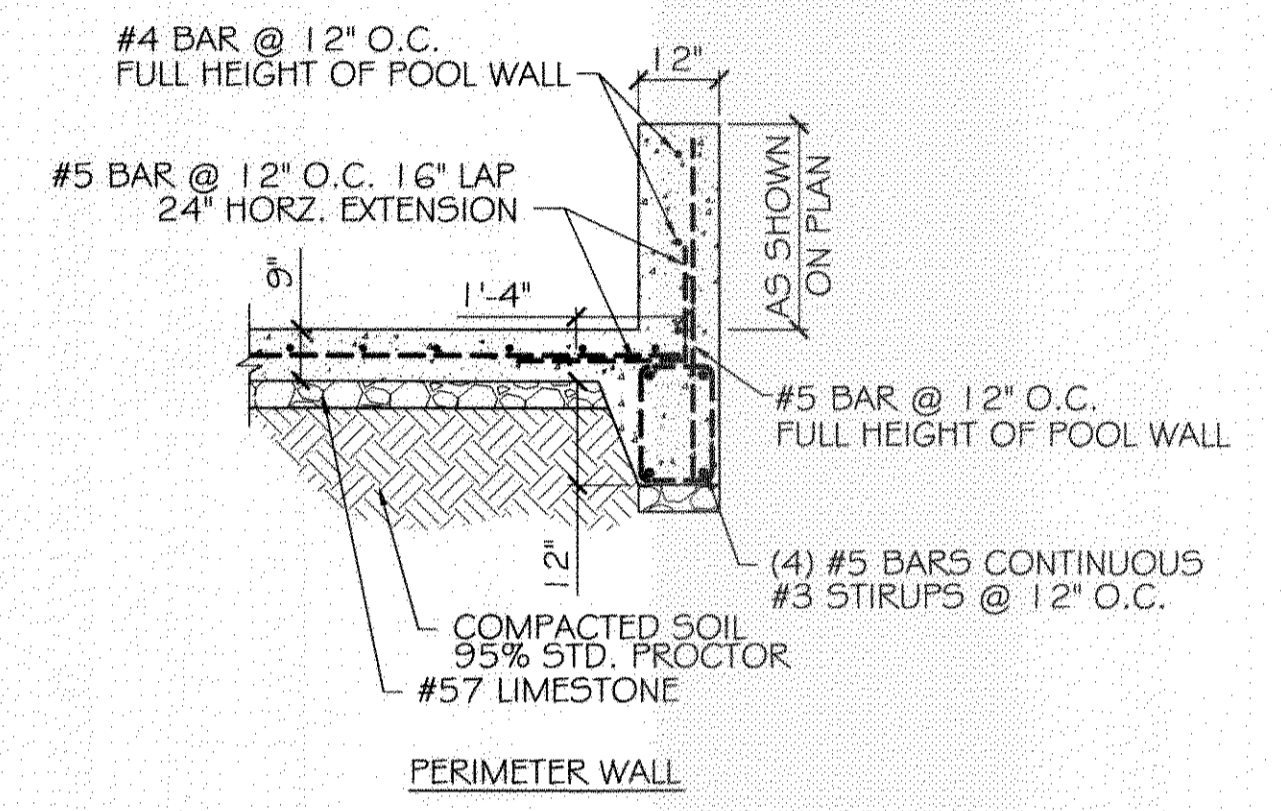
POOL SECTION D
SCALE: 3/16"=1'



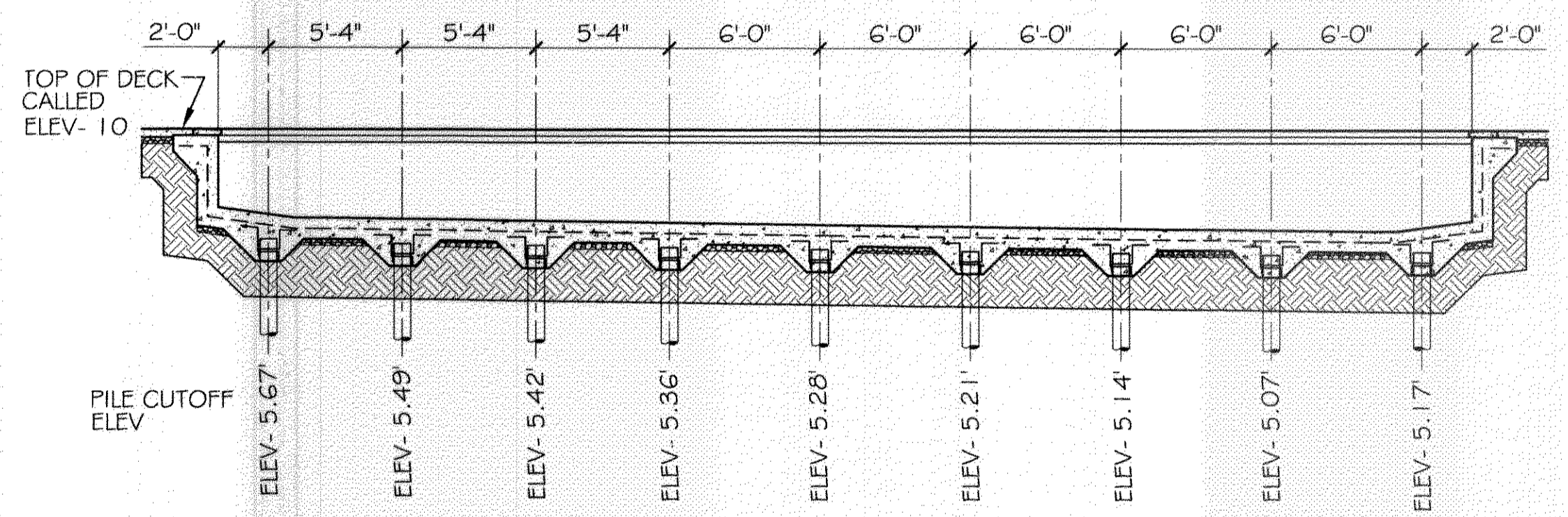
TYP. SECTION A
N.T.S.



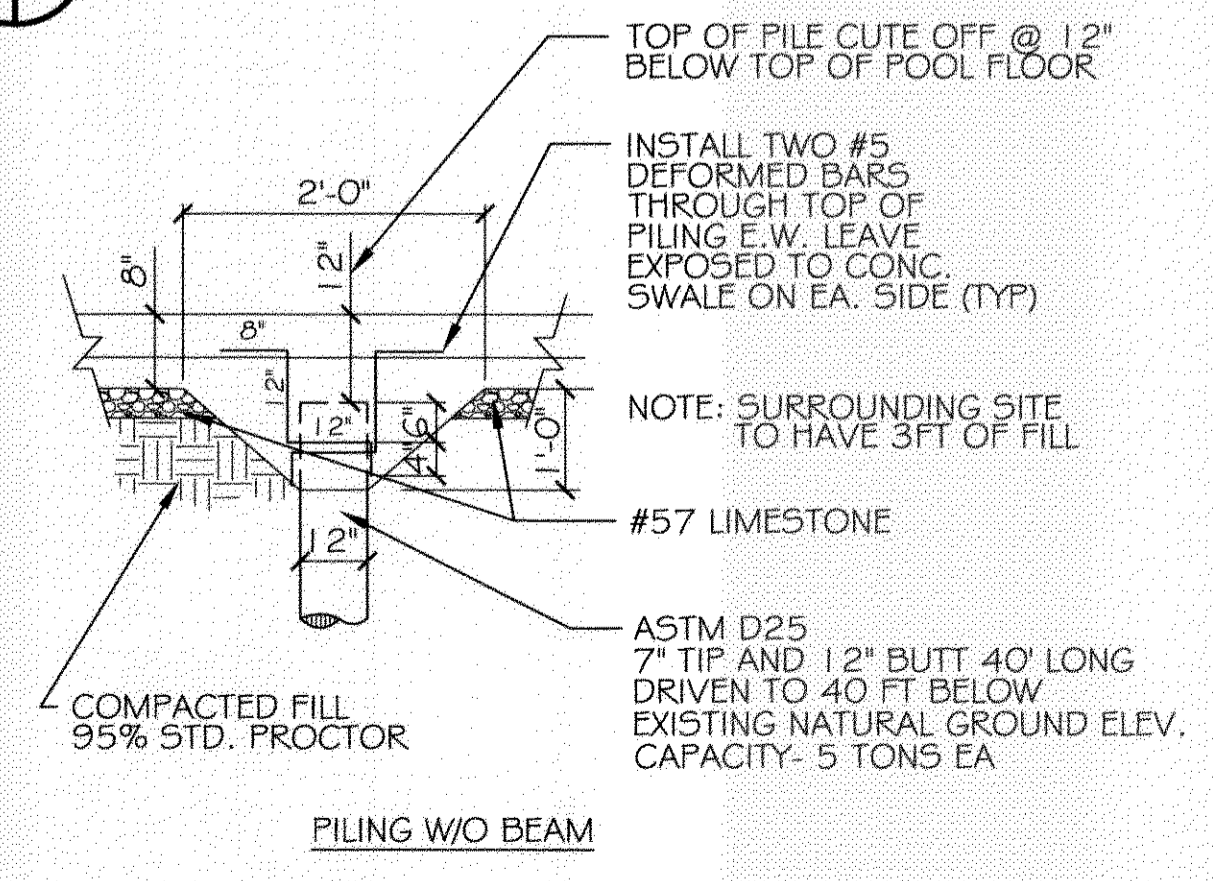
TYP. SECTION B
N.T.S.



TYP. SECTION C
N.T.S.

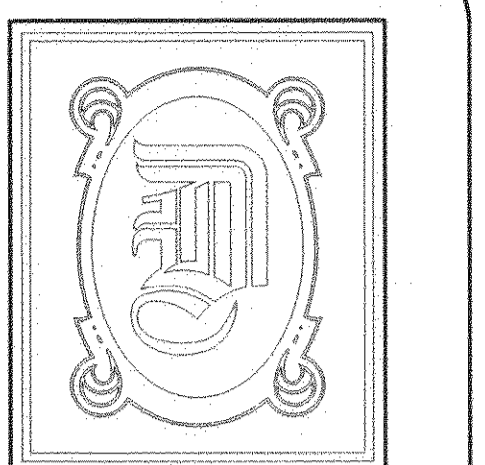


POOL SECTION E
SCALE: 3/16"=1'



TYP. DETAIL F
N.T.S.

- NOTES:**
1. CONTRACTOR SHALL FIELD VERIFY ALL DIMENSIONS & DEPRESSIONS PRIOR TO COMMENCING WORK.
 2. FOLLOW PILE DATA FROM ENGINEERING SOILS STUDY DATED JUNE 11, 2008
 3. USE ASTM D-25 7" TIP, 12" BUTT, 40' LONG, 5 TON CAPACITY. DRIVEN TO 40 FT BELOW EXISTING NATURAL GROUND ELEV. (40' FILL) UNLESS NOTED OTHERWISE.
 4. NO FIELD SUPERVISION OR INSPECTION PROVIDED UNDER THIS SEAL UNLESS NOTED OTHERWISE.
 5. PILE LAYOUT MAY BE MODIFIED DUE TO ACTUAL DRIVING CONDITIONS, ENGINEER TO BE NOTIFIED ON ANY OTHER MODIFICATION.
 6. A PILE BLOW COUNT LOG OF ALL PILES IS TO BE SUBMITTED TO THE ENGINEER OF RECORD.
 7. CONTRACTOR IS RESPONSIBLE FOR THE COMPARISON AND VERIFICATION OF POOL AND PILE LAYOUT DIMENSIONS WITH MOST RECENT EQUIPMENT DRAWINGS, ASSURING THAT PILES DO FALL WITHIN LIMITS OF THE DESIGN.
 8. ALL WATER (RAIN, RISING WATER, ETC.) SHALL BE DIRECTED AWAY FROM THE FOUNDATIONS DURING PREPARATION, PLACING AND CURING OF SAME. POSITIVE DRAINAGE MUST BE MAINTAINED AT ALL TIMES.
 9. SEE "ENGINEERING" SOIL ANALYSIS AND FOLLOW RECOMMENDATIONS OF STUDY.
 10. MONITOR VIBRATIONS AT NEARBY BUILDINGS.



DAMMON ENGINEERING, INC.

CHIEF ENGINEER
EMMETT DAMMON, P.E.
CHIEF ARCHITECT
ROBERT WILTSE

1095 FLORIDA AVENUE
SLIDELL, LA. 70458
OFFICE: 985-649-5832
FAX: 985-641-5950

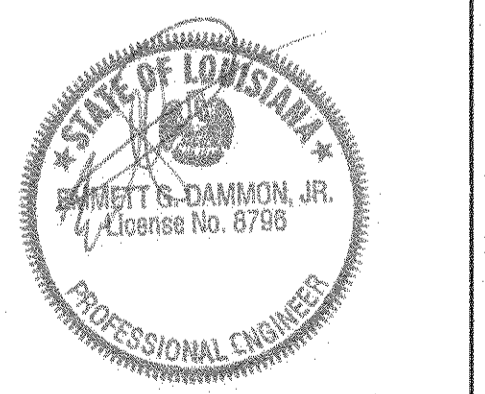
WEBSITE:
WWW.DAMMONENGINEERING.COM
EMAIL:
DAMMONENG@BELLSOUTH.NET

ARCHITECTURE
ENGINEERING
STUDIES
PLANNING
INVESTIGATION
EXPERT WITNESS

ROTOLO CONSULTANTS, INC.
894 ROBERT BLVD.
SLIDELL, LA

BURAS CONSOLIDATED COMMUNITY CENTER
BURAS, LA

POOL PILING PLAN AND SECTIONS



REV:
SCALE: AS NOTED
JOB#: 2068
DATE: 06-23-10
SHEET 1

S-1

OF 1