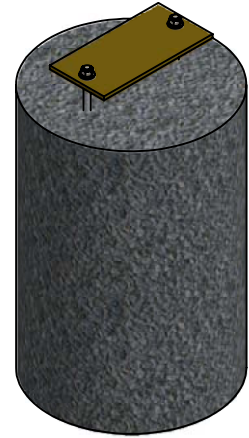


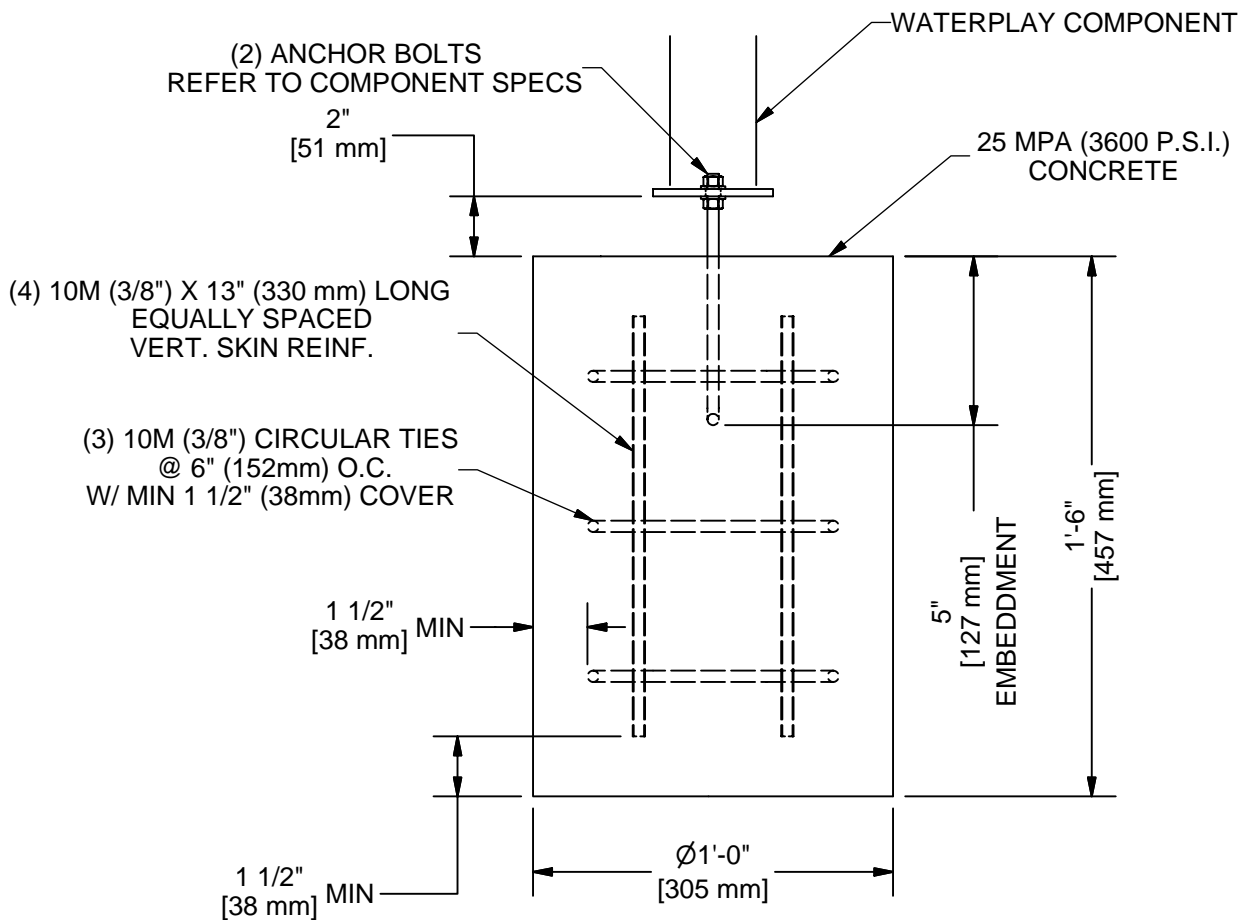
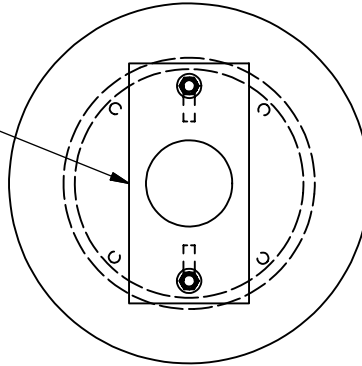
FOOTING DETAIL 'A'

CONCRETE VOLUME: 0.044 CU. YD/0.03 CU. M

FOOTING IS A RECOMMENDATION ONLY.
CHANGES MAY BE REQUIRED TO MEET WITH LOCAL
BUILDING CODES AND PROFESSIONAL PRACTICES.



SEE TEMPLATE FOR DETAILS:
TPW-03004 (GS 8"X4")
TPW-03008 (SND SPRAY 8"X6")



GRANULAR BASE BETWEEN
FOOTING AND COMPACT SUBGRADE
MAY BE REQUIRED TO MEET LOCAL CODES