

No.	Date	Description
01	8-18-2016	BOH cmts addressed

Date: 6/21/2016

Drawn: T.JH

Checked:

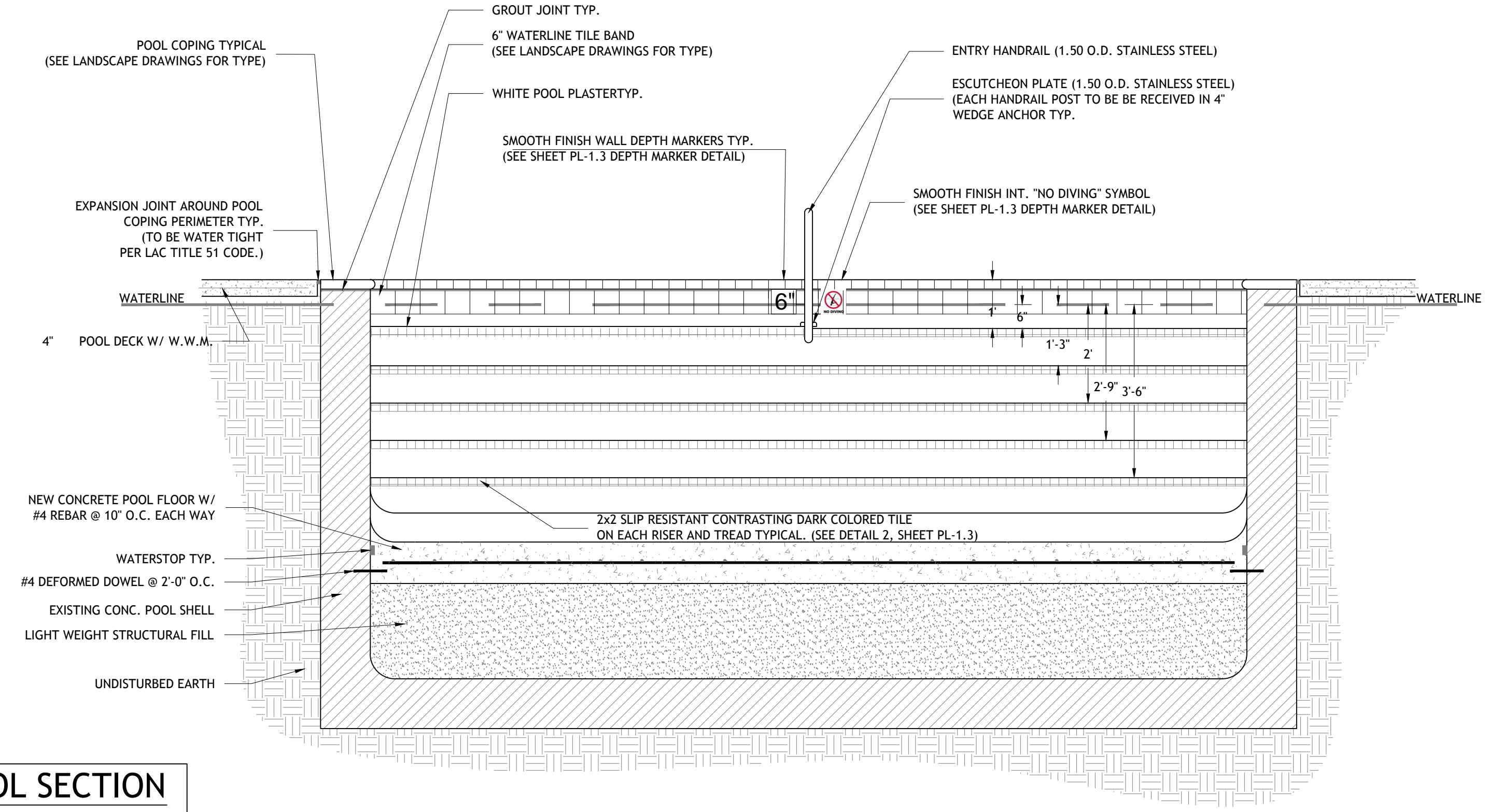
Sheet Title:

**POOL SECTIONS & TYPICAL DETAILS**

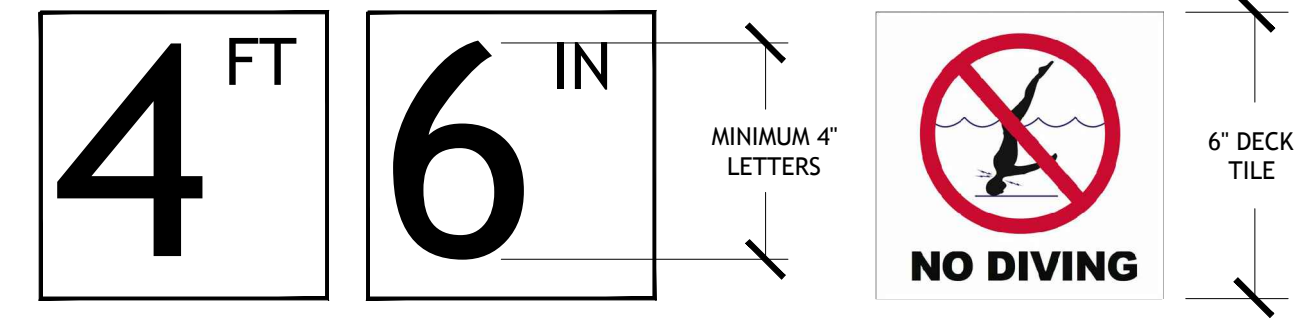
Drawing No.

**PL-1.3**

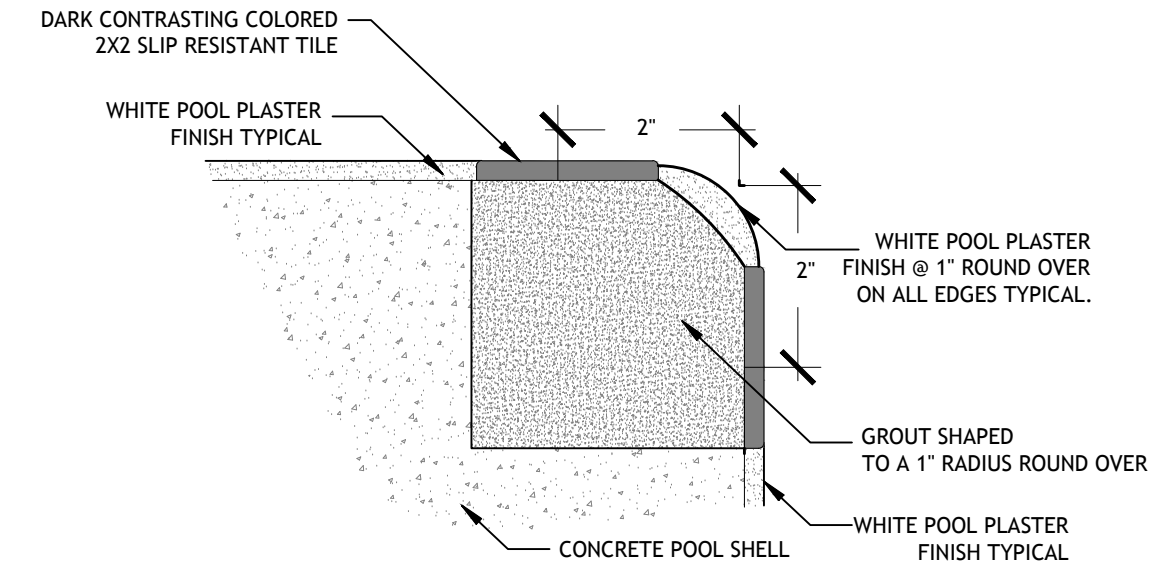
Sheet No.  
7 of 8



**01 POOL SECTION**  
PL-1.3  
SCALE: 1/2" = 1'-0"

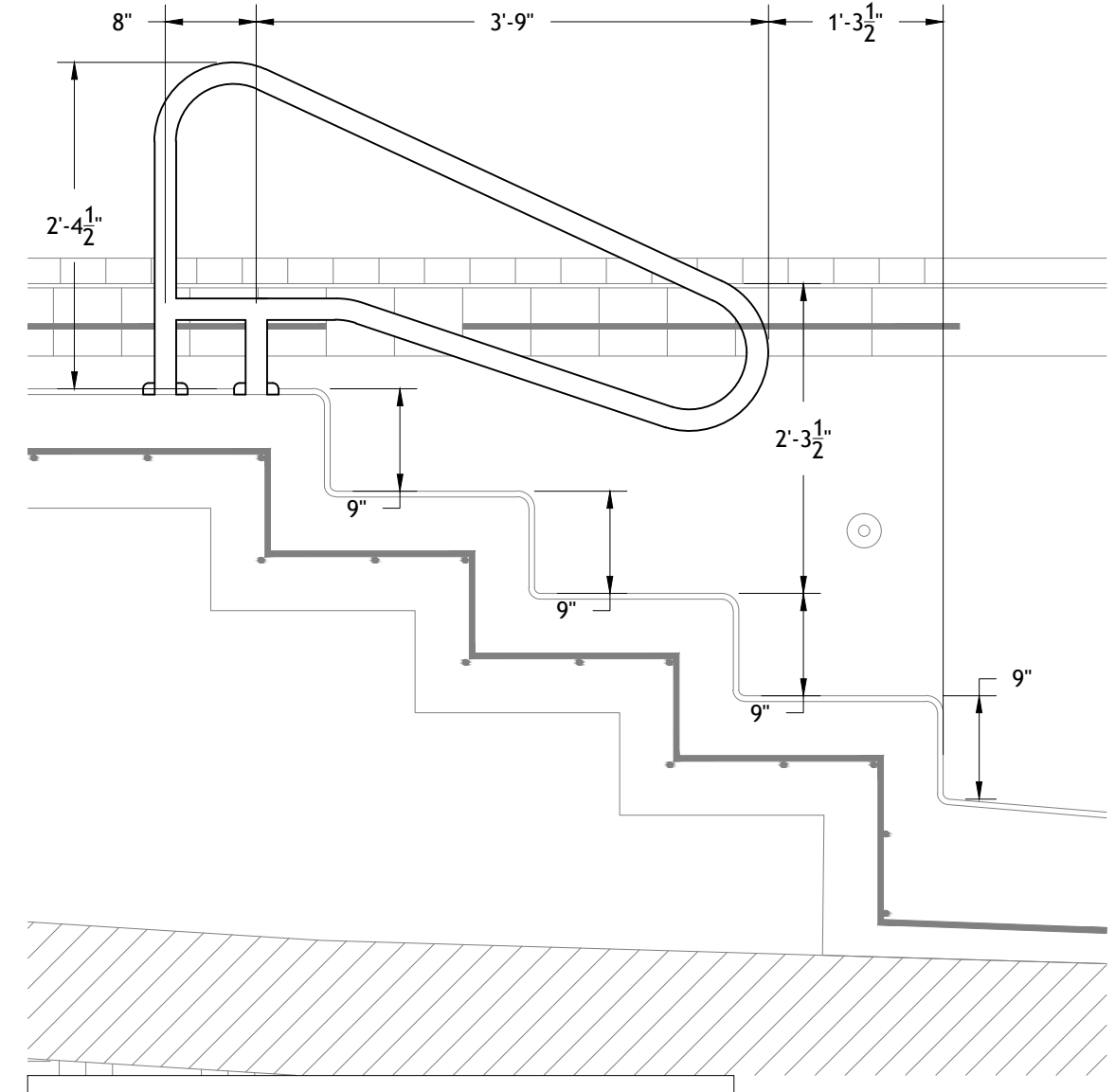


- DEPTH MARKERS**
- MARKER REQUIREMENTS:
- DEPTH MARKERS BOTH SHOWING FEET AND INCHES
  - "NO DIVING" SYMBOL MARKER WITH EACH DEPTH MARKER.
- NOTES:
- DEPTH MARKERS SHALL BE PLACED ON THE DECK WITH SPACING NOT TO EXCEED 25'-0"; NO MORE THAN 2 FOOT OF CHANGE IN SLOPE, AND TO ALSO PLACE A CORRESPONDING DEPTH MARKER IN DUPLICATE ON THE POOL WALL.
  - DECK TILES TO BE WITHIN 18" OF THE POOL WATER SURFACE
  - DECK TILES TO BE POSITIONED TO BE READ WHILE STANDING ON THE DECK FACING THE WATER.
  - DEPTH MARKERS TO BE IN ENGLISH.
  - NUMERICAL COLOR OF LETTERING TO BE BLACK, ON WHITE BACKGROUND.
  - "NO DIVING" INTERNATIONAL SYMBOL MARKER TO BE PLACED AT EVERY LOCATION WHERE A DEPTH MARKER IS LOCATED.
  - ALL DECK DEPTH MARKERS & NO DIVING SYMBOLS ARE TO HAVE A SLIP RESISTANT FINISH TYPICAL.
  - POOL WALL DEPTH MARKERS & NO DIVING SYMBOLS ARE TO HAVE A SMOOTH FINISH.

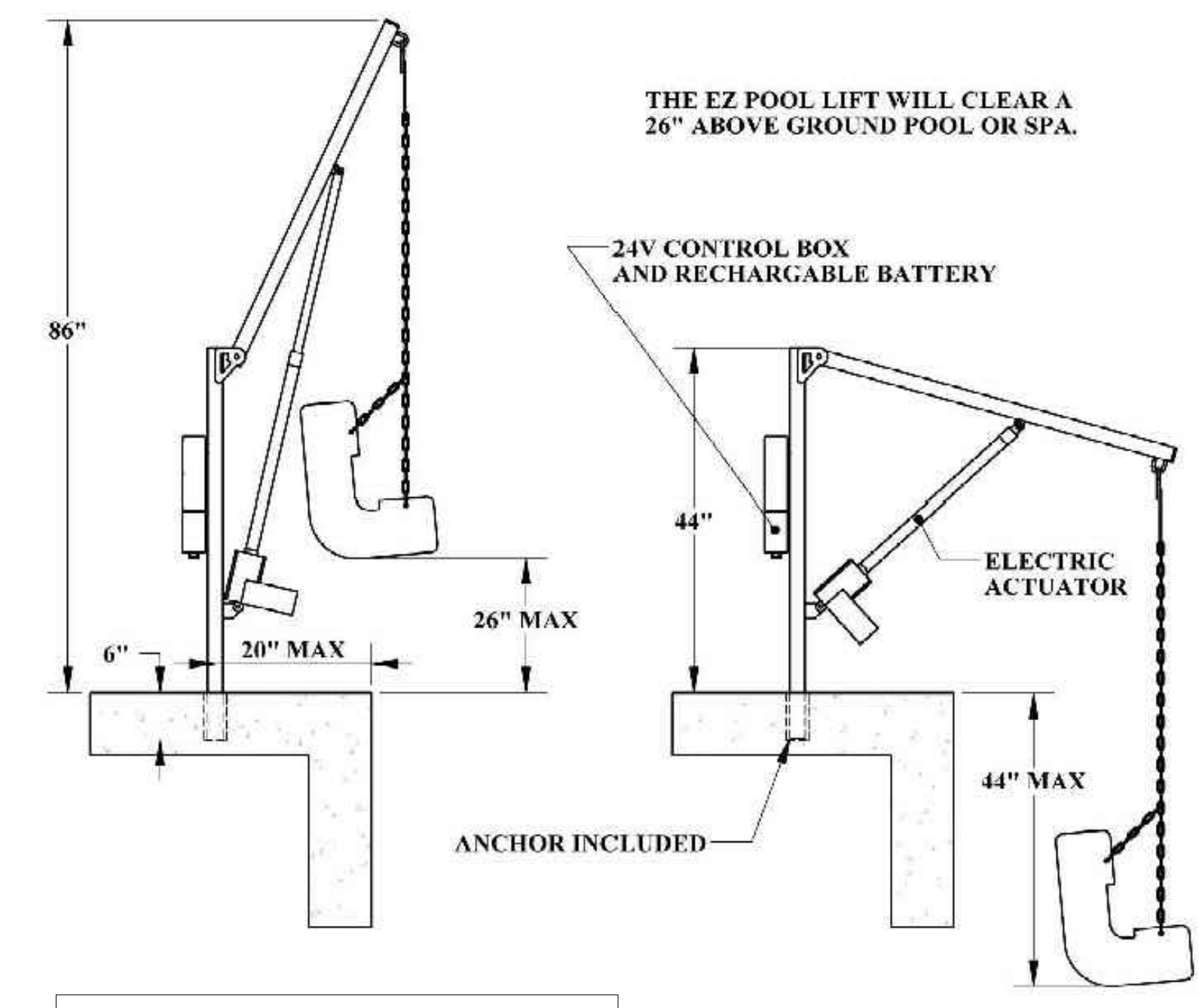


**02 TRIM TILE DETAIL**  
PL-1.2  
SCALE: NOT TO SCALE

**03 TYPICAL DEPTH MARKER DETAIL**  
PL-1.2  
SCALE: NOT TO SCALE



**04 HAND RAIL DETAIL**  
PL-1.3  
SCALE: 3/4" = 1'-0"



**05 ADA POOL LIFT TYPICAL**  
PL-1.3  
SCALE: NTS