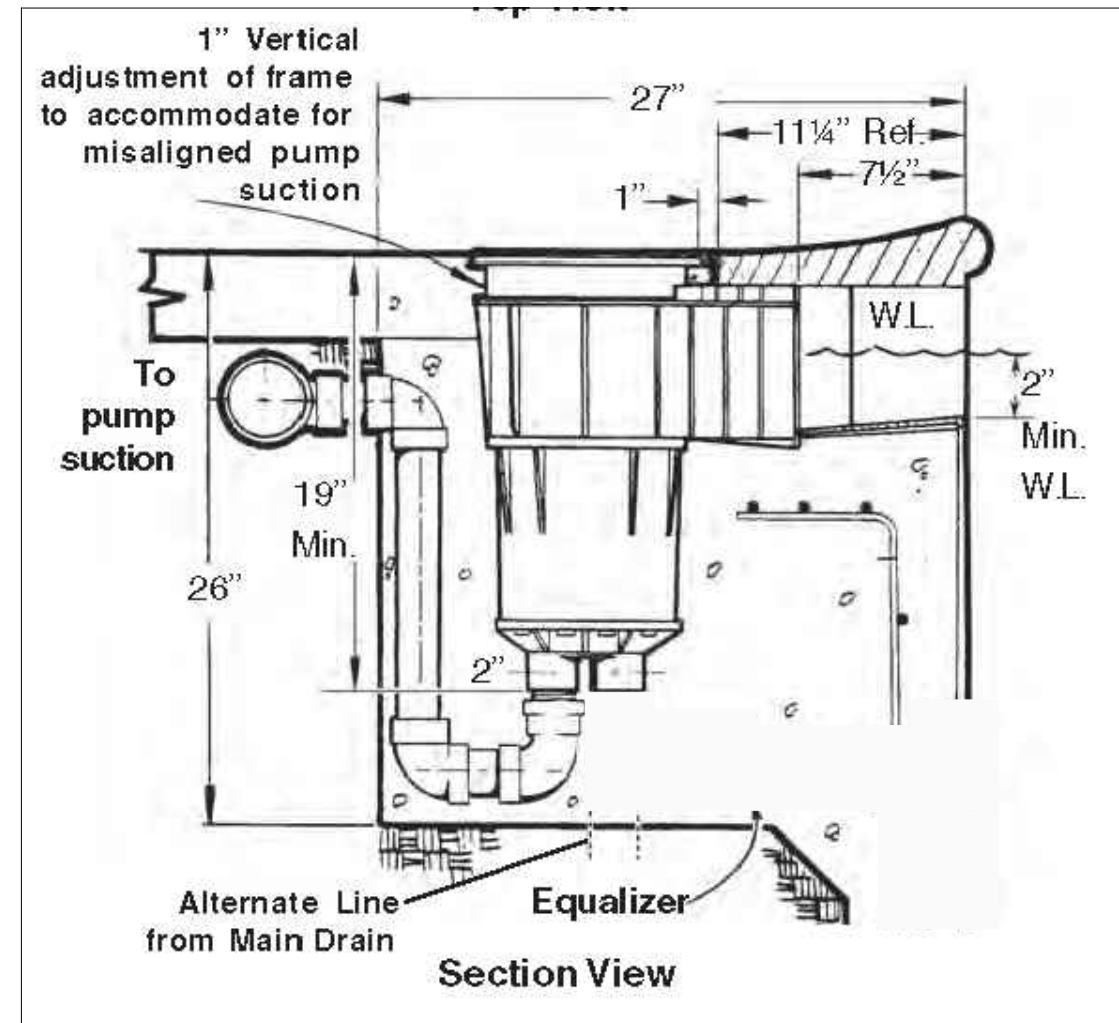


01 EQUIPMENT ROOM TYP. LAYOUT
PL-1.3 SCALE: NTS

NOTE: THE EQUIPMENT ROOM IS EXISTING, AND IS INDOORS. THE EXISTING EQUIPMENT ROOM IS AND WILL CONTINUE TO BE EXHAUSTED DIRECTLY TO THE ATMOSPHERE, IN FULL ACCORDANCE WITH THE LAC TITLE 51 SWIMMING POOL CODE.

02 TYP. SKIMMER DETAIL
PL-1.3 SCALE: NTS



DECK JETS
PART# JDJ2004

Jandy Deck Jets add pleasure and amusement to your pool & spa experience. Jandy Deck Jets create shimmering arcs of water from your deck into your pool or spa. The jets can be installed in almost any combination, and since they can be adjusted 360°, the dazzling effects they create can be changed again and again to meet your mood. The Jets come with a bronze deck coverplate giving the deck a rich finish.

Typical Deck Jet Installation

DECK JET WATER VOLUME & PRESSURE CHART

	3.0	4.0	5.0
Gallons (US GPM)	3.0	4.0	5.0
Feet of Head	3.9	7.9	11.0
Height of Jet	3.0	6.6	10.0

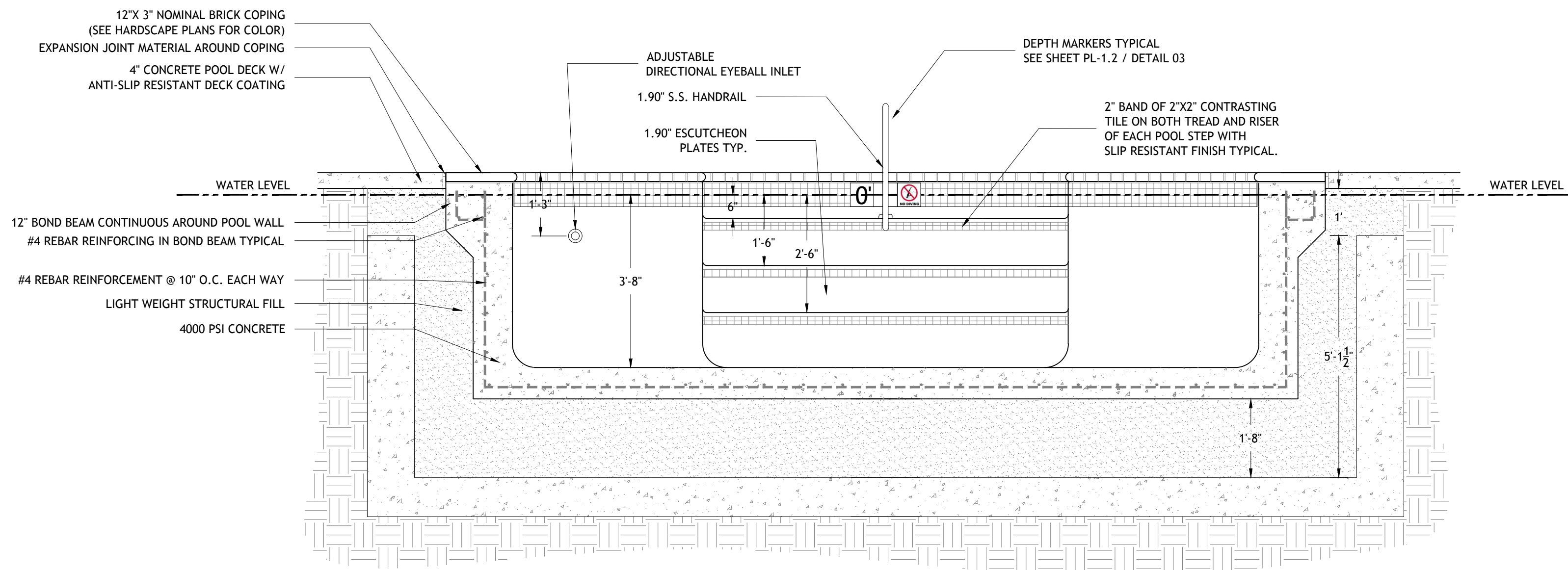
Multiple Jet Setup

Number of Deck Jets at ratio of 5 gpm (gallons per minute)	Recommended Pipe Size within 25' of Equipment			
	A	B	C	D
2	1 1/2"	1"	3/4"	1 1/2"
3	1 1/2"	1"	3/4"	1 1/2"
4	1 1/2"	1 1/2"	3/4"	1 1/2"
5	1 1/2"	1 1/2"	3/4"	1 1/2"
6	2"	1 1/2"	3/4"	2"

Dimensions

C - Inlet Lines to Deck Jet Deck Box (Maximum 6 Lines per Plumbing Loop)
Isolation Valves
B - Plumbing Loop
A - Main Feed Line
D - Bypass/Bleed Off Line
Check Valve
Jandy 3-Port Valve (PIN 4717)

05 JANDY DECK JET FEATURE
PL-1.3 SCALE: NTS



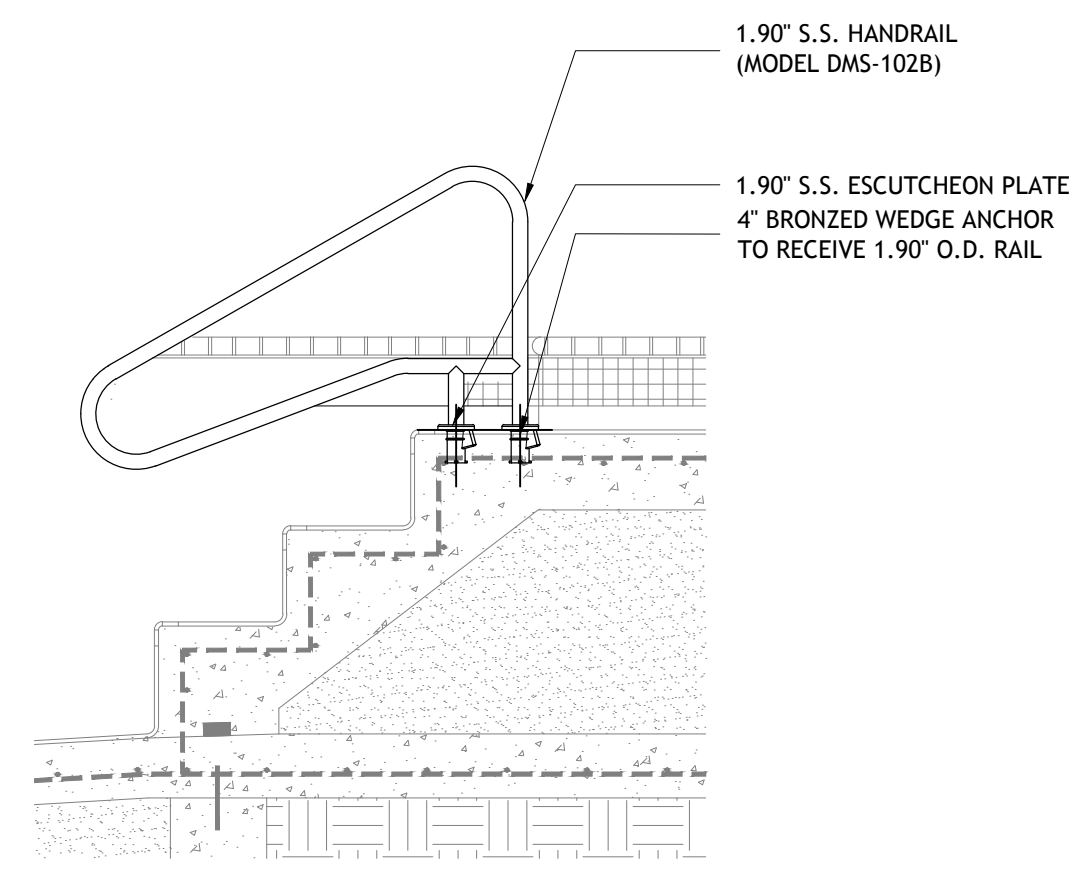
03 POOL CROSS SECTION
PL-1.3 SCALE: 1/2" = 1'-0"

Hand & Stair Rails

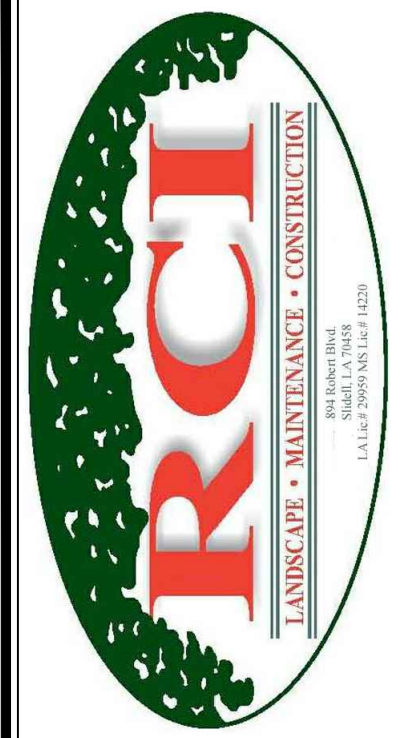
- Tubing: 1.90" OD
- Wall Thickness: .049" or .065"
- Stainless Steel: 304 or 316L Marine Grade** (add -MG to part number)
- Bends: 6" Radius
- Options: Powder-coating and SealedSteel Salt Friendly
- Recommended Anchors: AS-100P or AS-100B (order separately)
- Recommended Escutcheon: EP-100F (order separately)
- Sold as a single rail
- * Minimum rail thickness is .065 for Commercial
- ** Minimum requirement for salt pools is 316L Marine Grade

DMS-102

Model No.	Description	Weight	Length	Width	Height
DMS-102A	54" Center Grab Rail, .049"	15 lbs	19 lbs	59"	39"
		7	9kg	150cm	99cm
DMS-102B	54" Center Grab Rail, .065"	15 lbs	19 lbs	59"	39"
		7	9kg	150cm	99cm
DMS-102P	54" Center Grab Rail, .049" w/welded mounting plate	15 lbs	19 lbs	59"	39"
		7	9kg	150cm	99cm



04 HAND RAIL DETAIL
PL-1.3 SCALE: 1-1/2" = 1'-0"



894 ROBERT BOULEVARD
SLIDELL, LOUISIANA 70458
PH: 985-643-2427
FAX: 985-643-2691
ROTOLO@ROTOLOCONSULTANTS.COM

APARTMENT HOMES BY TONTI
PATIO VILLA POOL RENOVATION
3340 NORTH ARNOULT ROAD, METAIRIE, LA

Copyright 2016 Rotolo Consultants Inc. These drawings or parts thereof, may not be reproduced in any form, by any method, for any purpose, without prior written consent from Rotolo Consultants Inc. Contact: Rod Rotolo 985-643-2427 Project No:

Revisions:

No.	Date:	Description:
REV 1	6/14/16	COMMENT LTR REVS.
REV 2	8/8/2016	COMMENT LTR REVS.

Date: 3/30/2016
Drawn: TJH
Checked: MR

POOL SECTIONS & TYPICAL DETAILS

Drawing No.

PL-1.3

Sheet No. 6 of 7