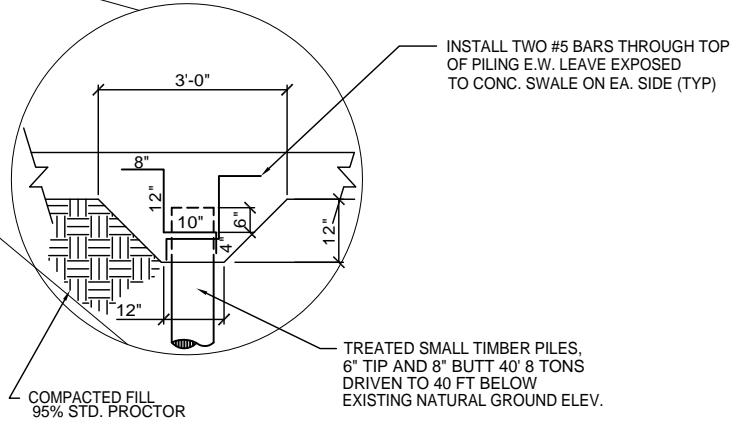


PILING PLAN LAYOUT
SCALE: 1/4"=1'-0"

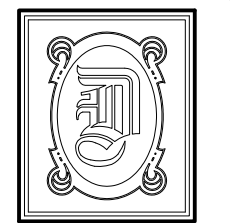


NOTES:

1. CONTRACTOR SHALL FIELD VERIFY ALL DIMENSIONS & DEPRESSIONS PRIOR TO COMMENCING WORK.
2. PILE DATA FROM GORE ENGINEERING SOILS STUDY DATED JULY 31, 2007.
3. USE TREATED SMALL TIMBER PILES, 40' LONG 8 TON CAPACITY. DRIVEN TO 40 FT BELOW EXISTING NATURAL GROUND ELEV.
4. NO FIELD SUPERVISION OR INSPECTION PROVIDED UNDER THIS SEAL UNLESS NOTED OTHERWISE.
5. PILE LAYOUT MAY BE MODIFIED DUE TO ACTUAL DRIVING CONDITIONS, ENGINEER TO BE NOTIFIED ON ANY MODIFICATION.
6. A PILE BLOW COUNT LOG OF ALL PILES IS TO BE SUBMITTED TO THE ENGINEER OF RECORD.
7. CONTRACTOR IS RESPONSIBLE FOR THE COMPARISON AND VERIFICATION OF PILE LAYOUT DIMENSIONS WITH MOST RECENT EQUIPMENT DRAWINGS, ASSURING THAT PILES DO FALL WITHIN LIMITS OF THE DESIGN.
8. ALL WATER (RAIN, RISING WATER, ETC.) SHALL BE DIRECTED AWAY FROM THE FOUNDATIONS DURING PREPARATION, PLACING, AND CURING OF SAME. POSITIVE DRAINAGE MUST BE MAINTAINED AT ALL TIMES.
9. SEE "GORE ENGINEERING" SOIL ANALYSIS AND FOLLOW RECOMMENDATIONS OF STUDY.
10. MONITOR VIBRATIONS AT NEARBY BUILDINGS.

THESE PLANS HAVE BEEN PREPARED UNDER MY DIRECT SUPERVISION, AND TO THE BEST OF MY KNOWLEDGE AND BELIEF, COMPLY WITH ALL THE BUILDING CODES OF THE CITY OF NEW ORLEANS, AS WELL AS STATE AND NATIONAL CODES. I AM NOT SUPERVISING THE WORK.

ROBERT WILTSE



DAMMON
ENGINEERING, INC.

CHIEF ENGINEER
EMMETT
DAMMON, P.E.

CHIEF ARCHITECT
ROBERT
WILTSE

1095 FLORIDA AVENUE
SLIDELL, LA. 70458
OFFICE: 985-649-5832
FAX: 985-641-5950

WEBSITE:
WWW.DAMMONENGINEERING.COM

EMAIL:
DAMMONENG@BELLSOUTH.NET

ARCHITECTURE

ENGINEERING

STUDIES

PLANNING

INVESTIGATION

EXPERT WITNESS

SOUTHERN
YACHT
CLUB
NEW ORLEANS
LOUISIANA

CHILDRENS
POOL
PILING
PLAN

REV:

SCALE: AS NOTED

JOB#:

DATE:06-26-09

SHEET 2

S-2

OF 2