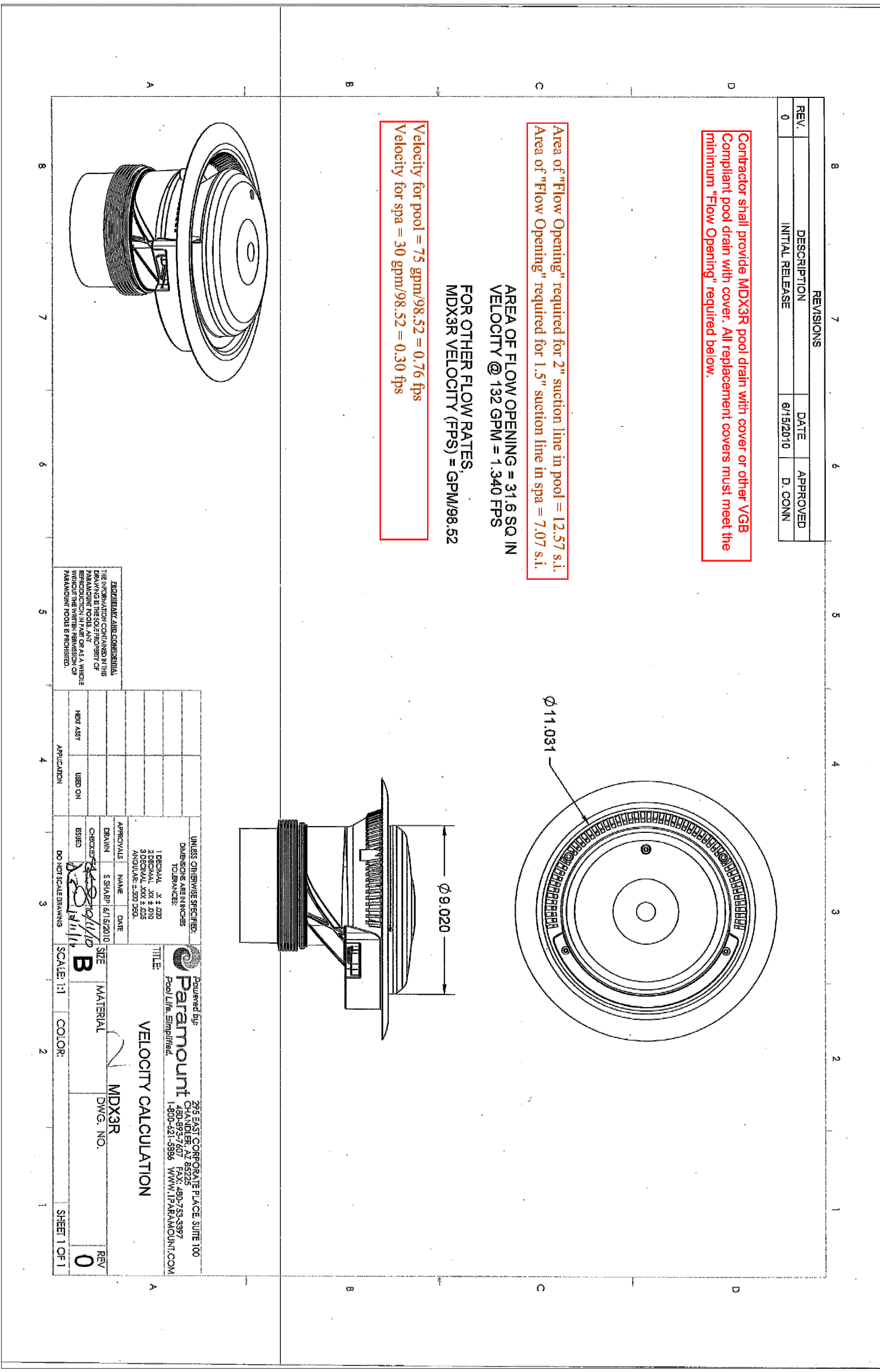


4 CHALLENGER H-FLOW PUMP CURVE
SCALE: N.T.S.



POOL EQUIPMENT LEGEND

QTY	DESCRIPTION
1	CHALLENGER HFP H-FLOW PUMP
2	MAIN DRAIN SLIMP AND GRATE ASSEMBLY
1	2" FLOW METER
1	2" CHECK VALVE
1	CHLORINATOR JANDY MODEL 700
3	3/4" DIRECTIONAL EYEBALL
7	BALL VALVES FOR PIPE SIZE 2"
1	STAINLESS STEEL LADDER
1	6X6X WATERLINE TILE (SEE HARDSCAPE PLAN FOR COLOR AND STYLE)
2X2	KEYSTONE TILE FOR STEPS AND UNDERWATER BRANCHES (SEE HARDSCAPE PLAN)
	WHITE PLASTER

3-bend Stair Rails

Tubing: 1.90" OD
Wall Thickness: .049" or .035"
Material: 304 or 316L Marine Grade* (6x4" -KCS by part number)
Standard Size: 36" or 31.5", Marine Grade* (6x4" -KCS by part number)
Bends: 6" Radius
Options: Powder-coating and Sealed/Steel Slat Finishing available
Recommended anchors: AS-1008 (order separately)
Recommended fasteners: EP-100F (order separately)
Minimum rail thickness: .049" for Residential, .065" for Commercial
Minimum requirement for salt pools: 3.04L Marine Grade

Model	Height	Length	Material
SR84	48"	11-21 1/2"	304
SR84	48"	11-21 1/2"	316
SR84	54"	11-21 1/2"	304
SR84	54"	11-21 1/2"	316
SR84	60"	11-21 1/2"	304
SR84	60"	11-21 1/2"	316
SR84	66"	11-21 1/2"	304
SR84	66"	11-21 1/2"	316
SR84	72"	11-21 1/2"	304
SR84	72"	11-21 1/2"	316

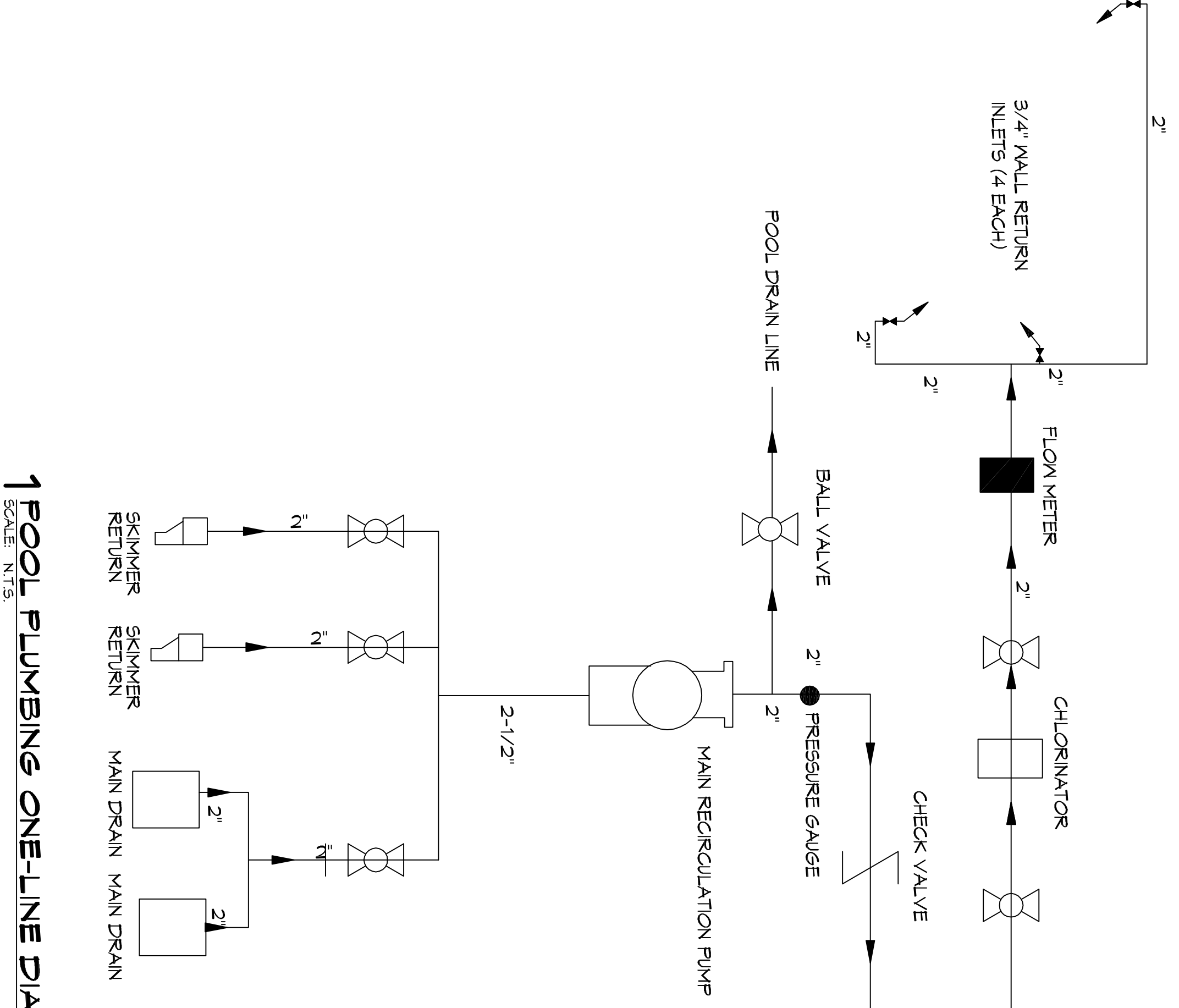
Economy Ladder

Tubing: 1.90" OD
Standard Size: 36" or 31.5", Marine Grade* (6x4" -KCS by part number)
Bends: 6" Radius
Options: Powder-coating and Sealed/Steel Slat Finishing available
Recommended anchors: AS-1003 (order separately)
Recommended fasteners: EP-100F (order separately)
Minimum requirement for salt pools: 3.04L Marine Grade

Model	Height	Length	Material
WL5-102	21 1/2"	2-10 1/2"	304
WL5-102	21 1/2"	2-10 1/2"	316
WL5-103	23 1/2"	3-10 1/2"	304
WL5-103	23 1/2"	3-10 1/2"	316
WL5-104	25 1/2"	4-10 1/2"	304
WL5-104	25 1/2"	4-10 1/2"	316
WL5-105	27 1/2"	5-10 1/2"	304
WL5-105	27 1/2"	5-10 1/2"	316

3 HANDRAIL CUT SHEET
SCALE: N.T.S.

2 LADDER CUT SHEET
SCALE: N.T.S.



1 POOL PLUMBING ONE-LINE DIAGRAM
SCALE: N.T.S.

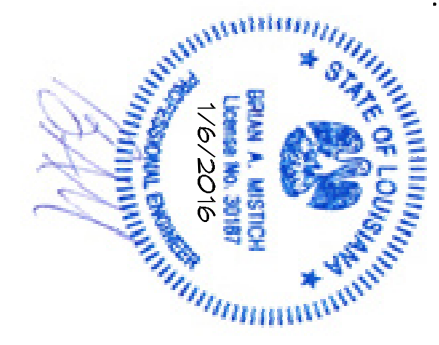
DAMMON ENGINEERING, INC.

LOUISIANA & MISSISSIPPI

Chief Engineer: Brian Mstich, PE
554 Old Spanish Trail
Slidell, LA 70458

www.dammonengineering.com
info@dammonengineering.com
PH: 985.649.5832 F: 985.641.5950

NO.	DESCRIPTION	DATE



NEW POOL
BAYOU HAYEN

34205 BAYOU LIBERTY RD.
SLIDELL, LA

JOB No: _____ DATE: JULY 14, 2016

DRAWN BY: DPD CHECKED BY: BM

SHEET TITLE:
PLUMBING ONE-LINE DIAGRAMS

DRAWING NUMBER:
PL-1.4

SHEET NO.: 5 of 8