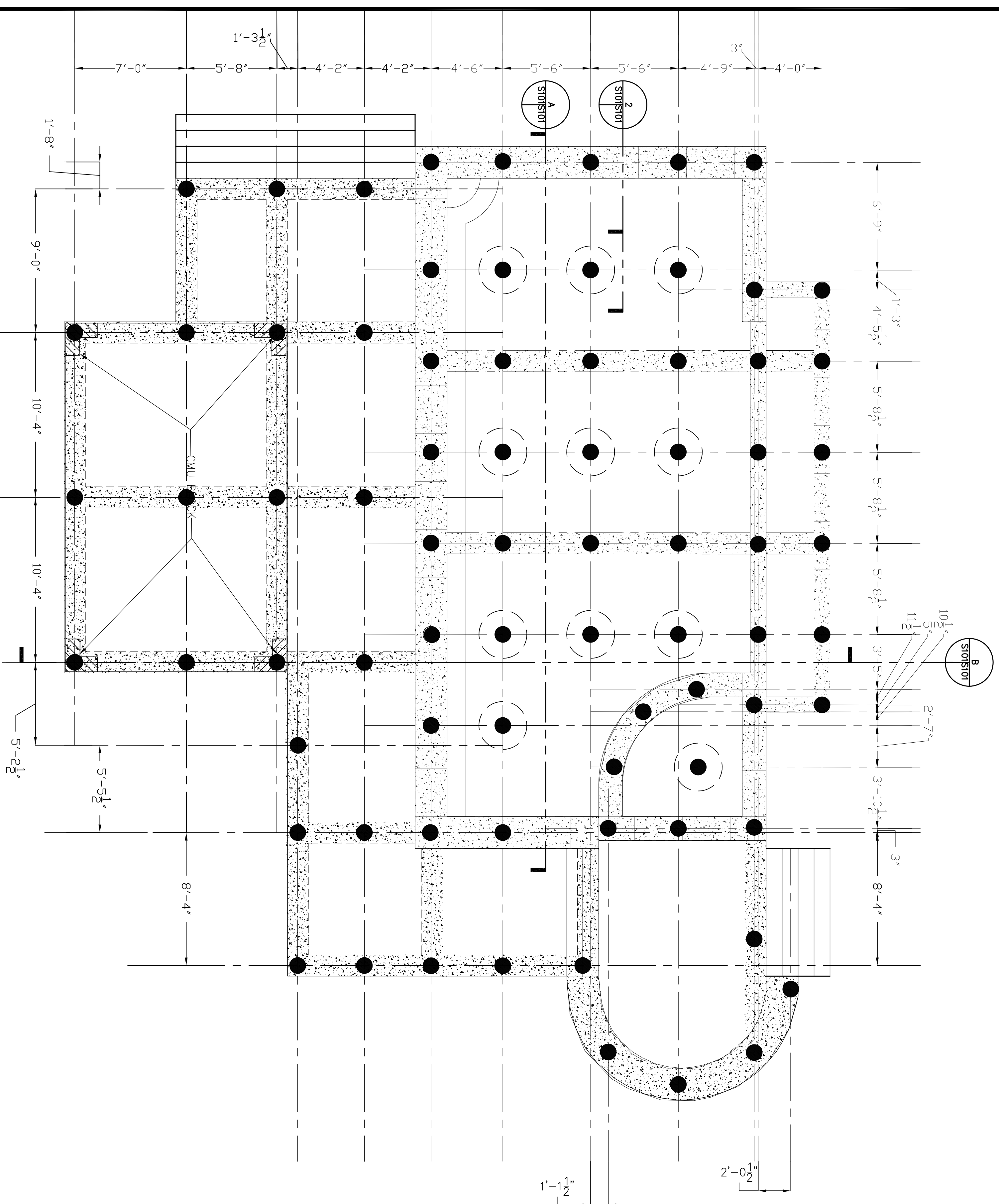
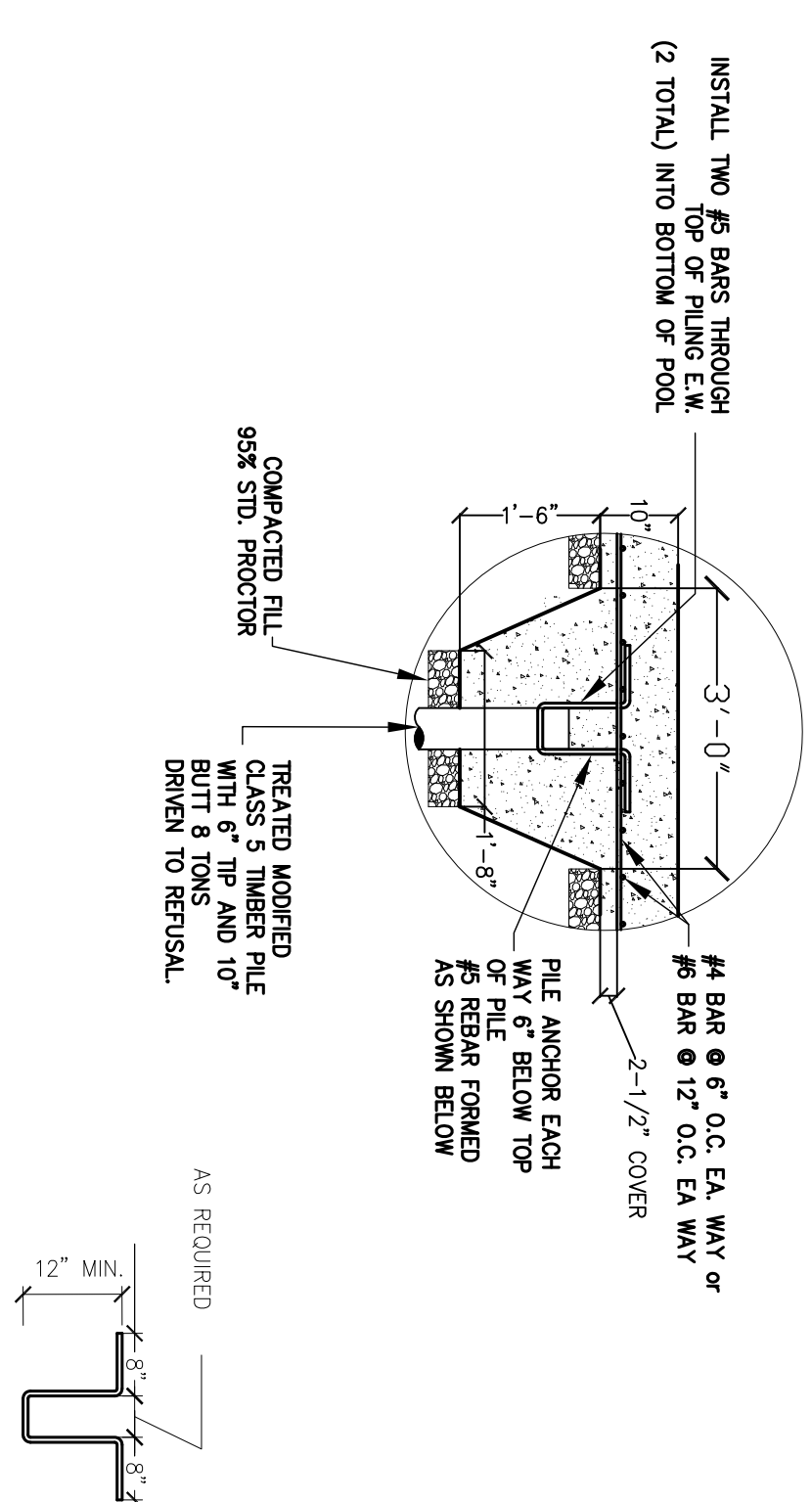


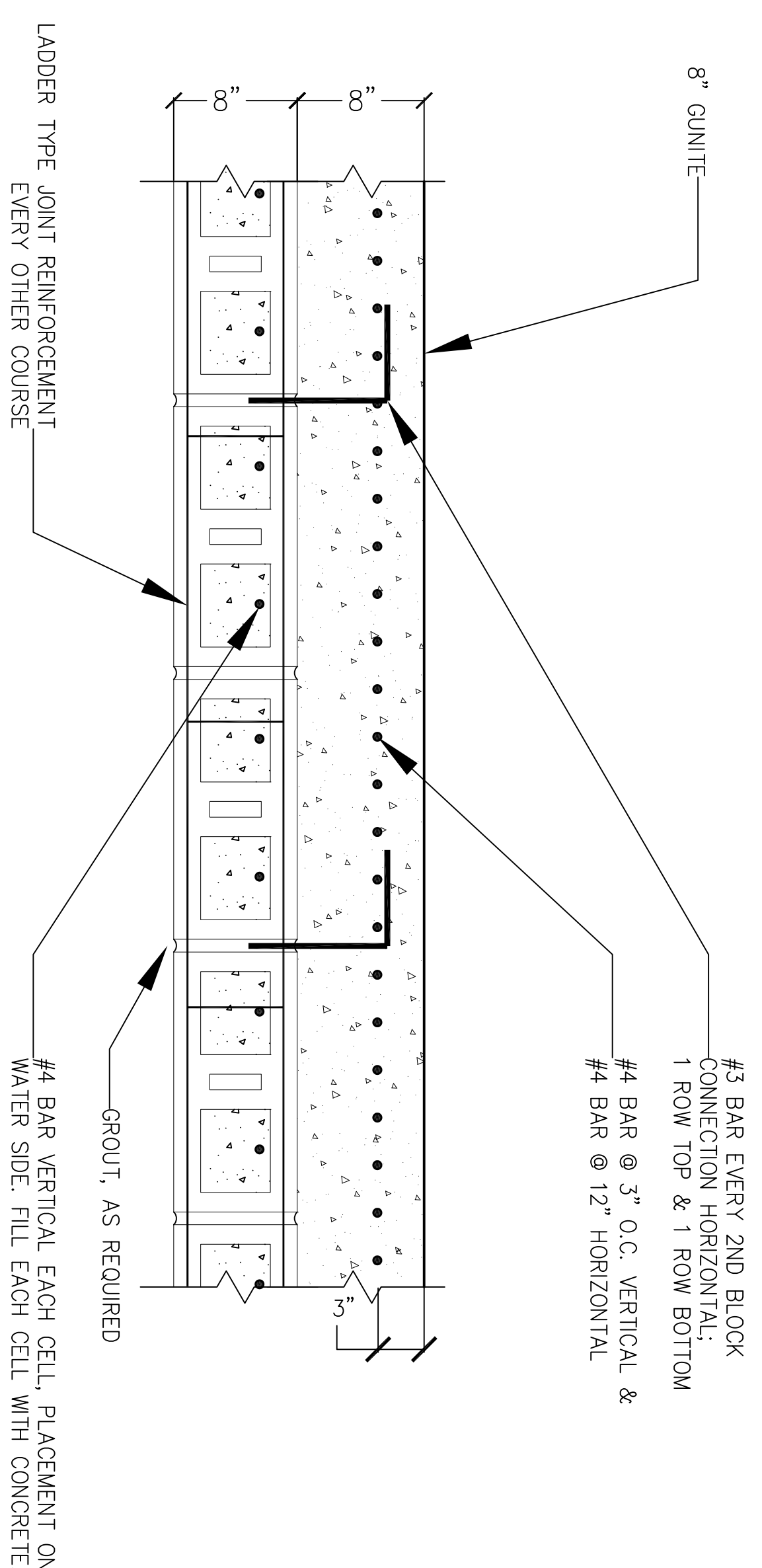
A
POOL DETAIL
SCALE: 1/4" = 1'-0"



POOL & DECK FOUNDATION PLAN
SCALE: 1/4" = 1'-0"



2
POOL INTERMEDIATE PILE DETAIL
SCALE: 1/2" = 1'-0"



3
POOL WALL PLAN VIEW
SCALE: 1-1/2" = 1'-0"

DAMMON
ENGINEERING, INC.
LOUISIANA & MISSISSIPPI

Chief Engineer: Brian Mistich, PE
554 Old Spanish Trail
Stidell, LA 70458
www.dammonengineering.com
info@dammonengineering.com
PH: 985.649.5832

REVISIONS		DATE
#	DESCRIPTION	

3/10/2017

NEW POOL
WAX MUSEUM
CONDOS

917 Conti Street
New Orleans, Louisiana

JOB No: 2308 DATE: February 20, 2017

DRAWN BY: DPD CHECKED BY: CKD

The above drawings and specifications, design and engineering represent liability as provided to clients, in and in connection with any work of project other than the specific project for which they have been prepared and developed without written consent of Dammon Engineering, Inc. Please contact with these drawings in specifications and construction documents.

SHEET TITLE:
POOL AND DECK
FOUNDATION PLAN

DRAWING NUMBER:

S101

SHEET No: 10 of 5