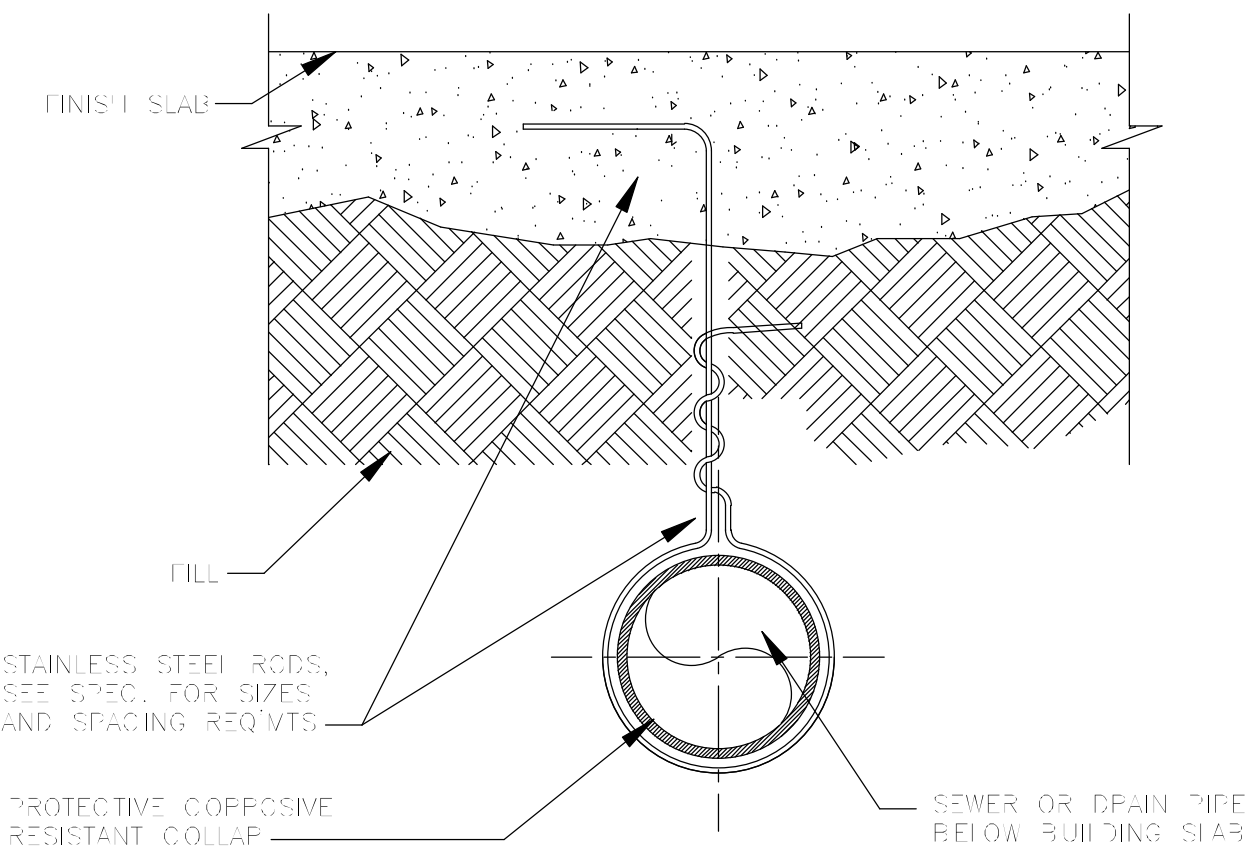
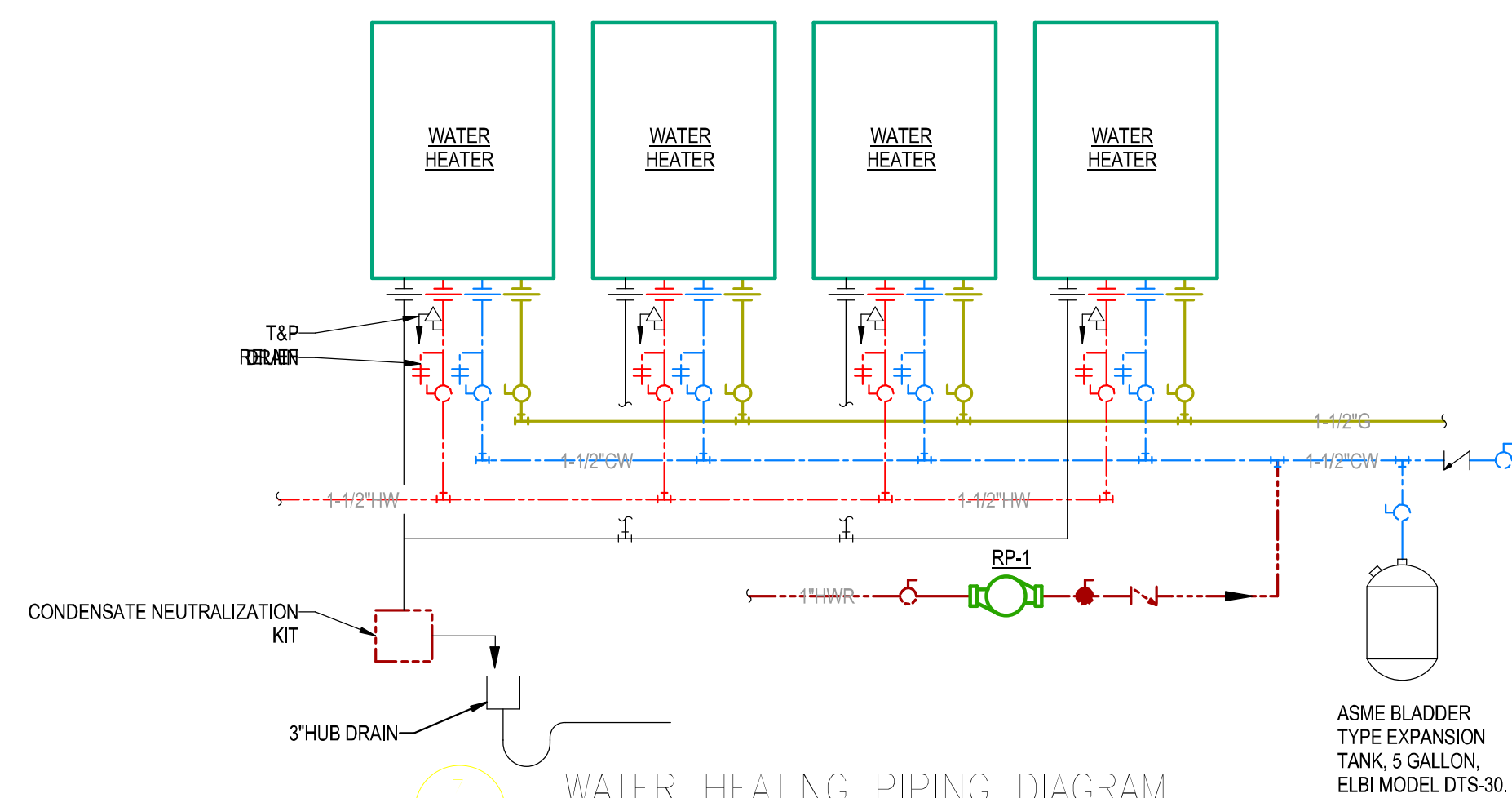


NOTE: THE INFORMATION CONTAINED IN THIS DOCUMENT IS PROPRIETARY TO PONTCHARTRAIN MECHANICAL CO., INC. THE DOCUMENT MAY NOT BE DISCLOSED, DUPLICATED, OR USED FOR ANY PURPOSE, IN WHOLE OR IN PART, WITHOUT THE PRIOR WRITTEN CONSENT OF PONTCHARTRAIN MECHANICAL CO., INC.

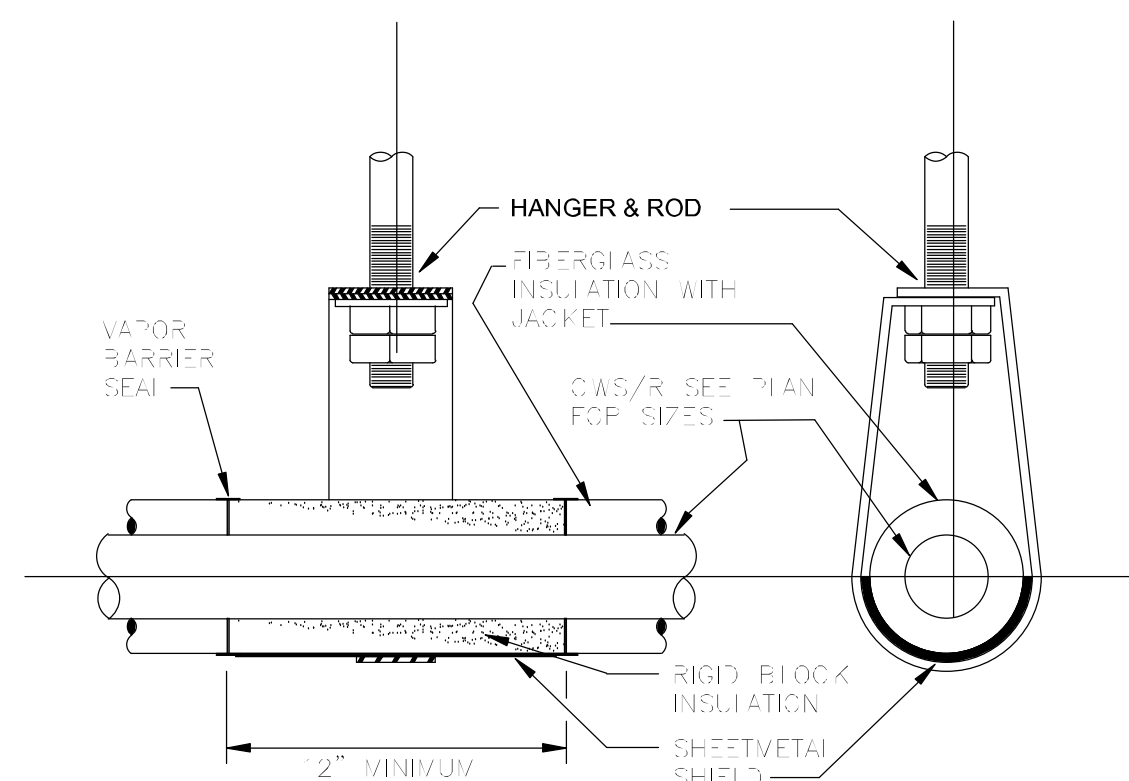


NOTE:
1. FOR CAST IRON SOIL PIPE, SUPPORT EVERY 5 FEET HORIZONTALLY FOR 5 FOOT LENGTH OF PIPE AND 10 FEET FOR 10 FOOT LENGTH NEAR EVERY RISER, BLOW TEE AND WYE. PVC PIPING SHALL BE SUPPORTED AT NOT MORE THAN 60 FT. FOOT INTERVALS.

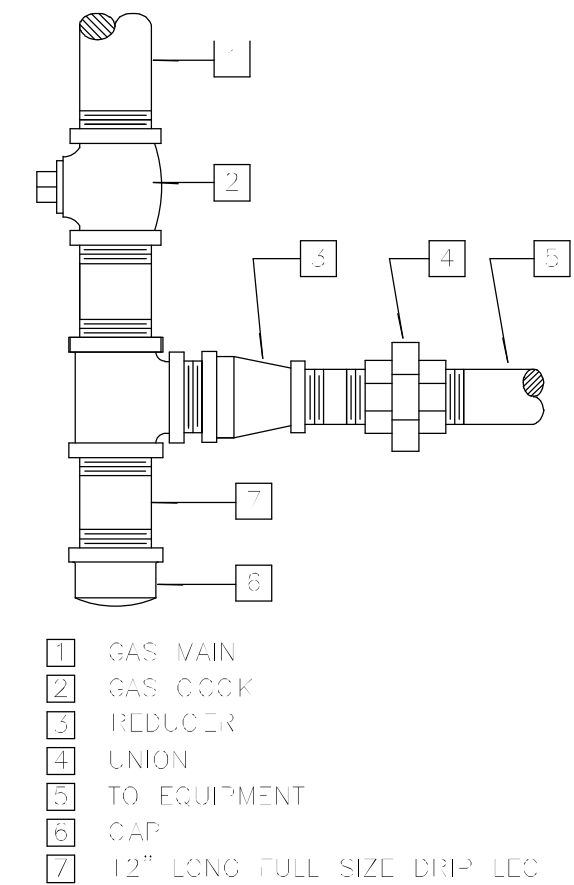
2 UNDERGROUND PIPE HANGER DETAIL SCALE: NONE



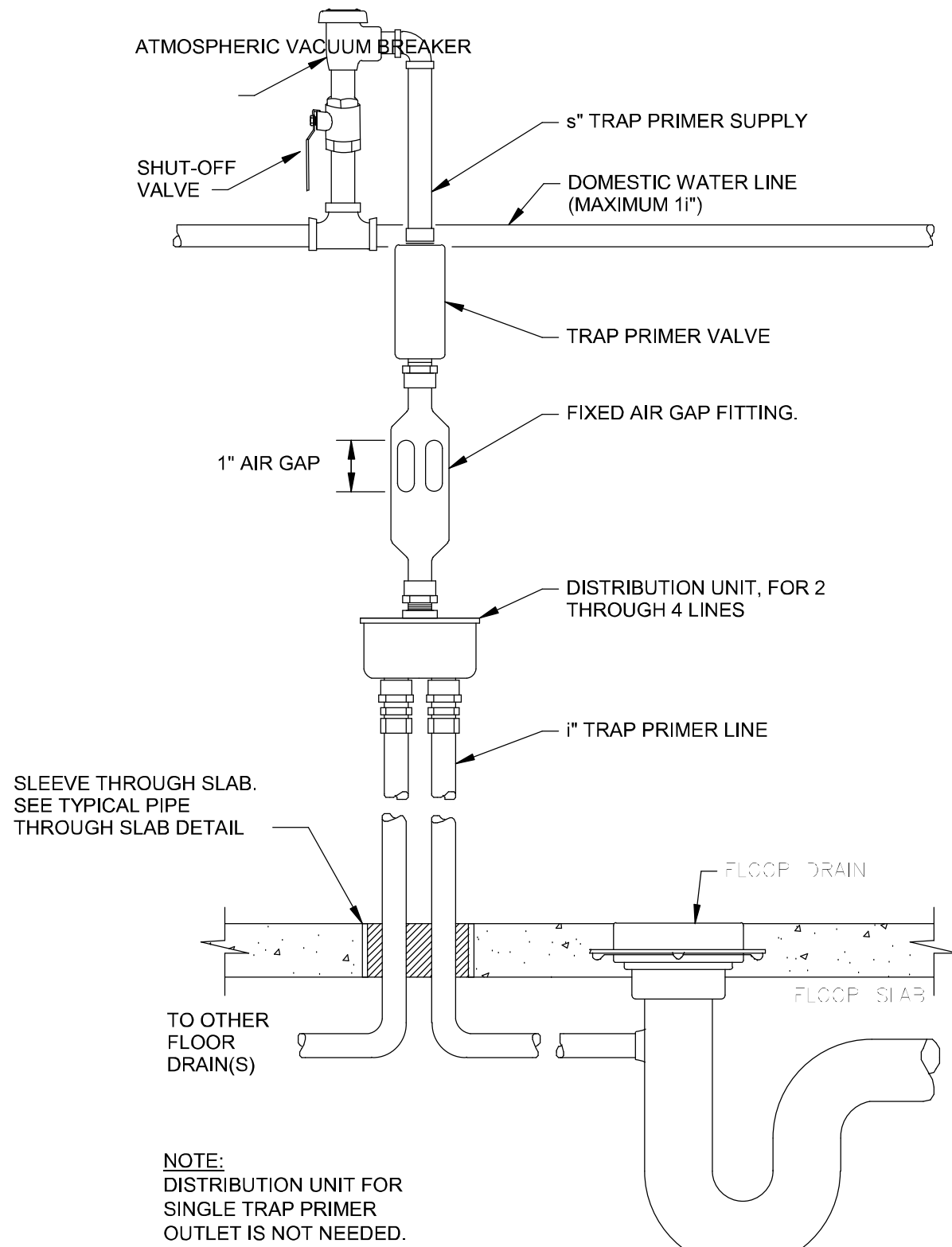
3 WATER HEATING PIPING DIAGRAM SCALE: NONE



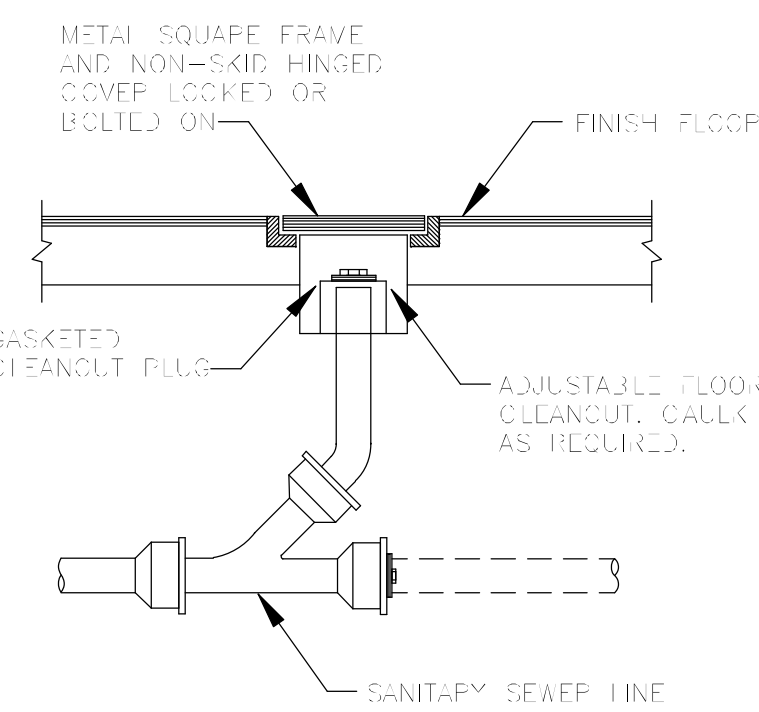
4 INSULATED PIPE HANGER DETAIL SCALE: NONE



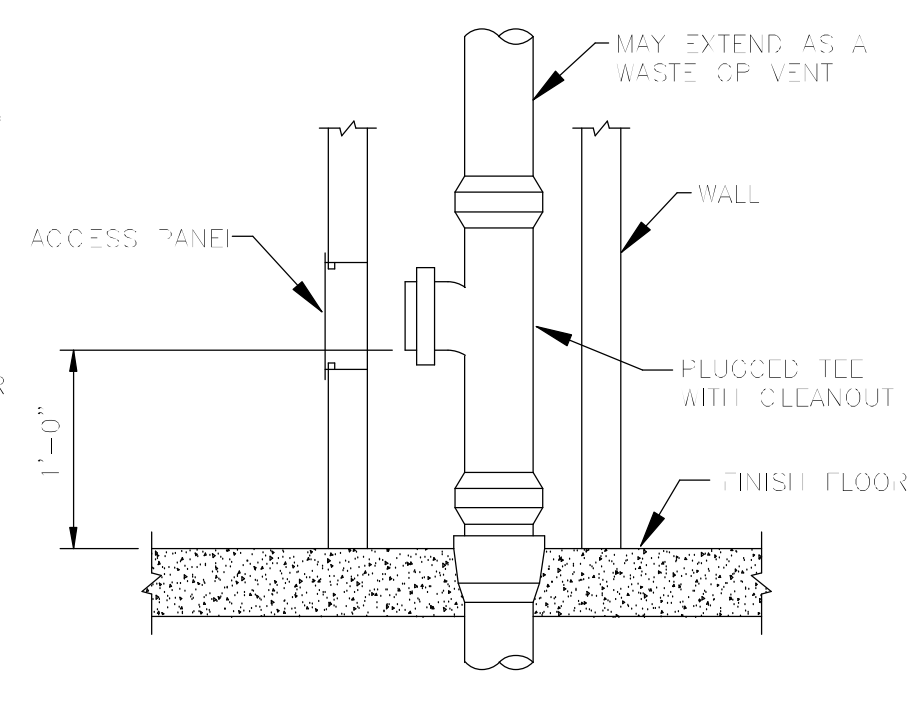
5 GAS LINE DRIP LEG DETAIL SCALE: NONE



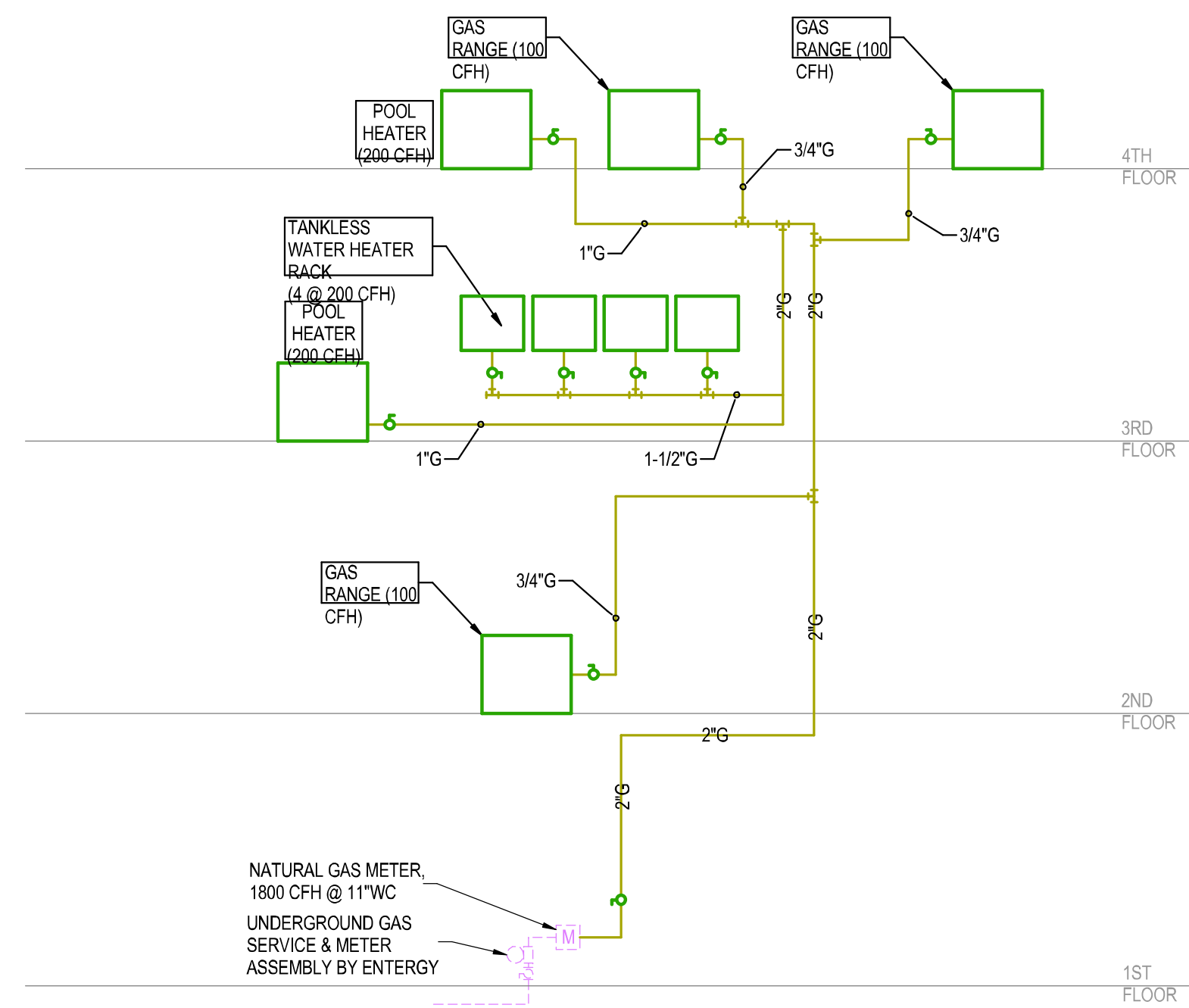
6 TYPICAL TRAP SEAL PRIMER DETAIL SCALE: NONE



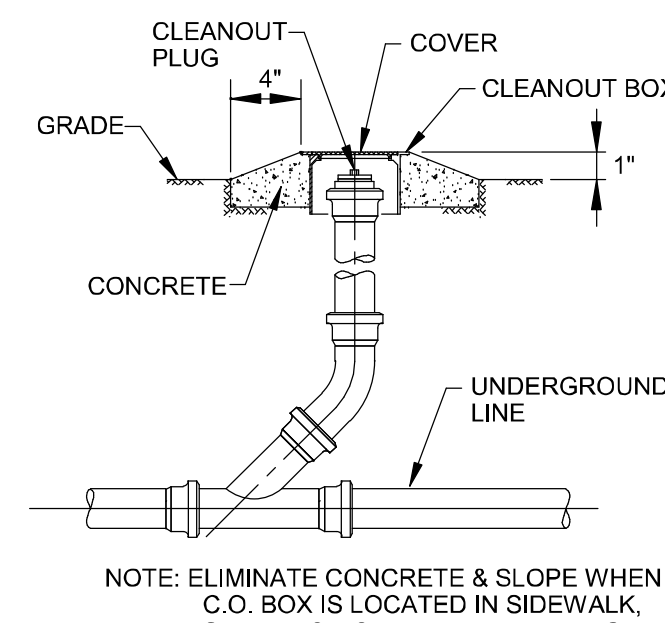
7 FLOOR CLEANOUT DETAIL SCALE: NONE



8 WALL CLEANOUT DETAIL SCALE: NONE



9 GAS PIPING RISER DIAGRAM SCALE: NONE



10 TYPICAL OUTDOOR CLEANOUT DETAIL SCALE: NONE

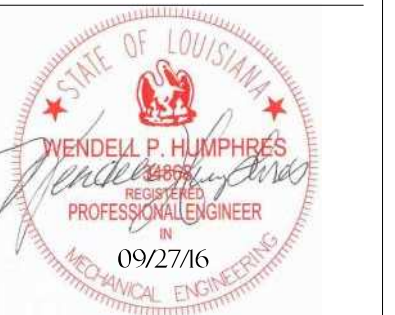
PLUMBING SYMBOLOGY

THIS IS A TYPICAL SCHEDULE. NOT ALL SYMBOLS ARE NECESSARILY USED ON THIS PROJECT.

	POINT BETWEEN DEMO AND EXIST TO REMAIN
	POINT BETWEEN NEW AND EXISTING WORK
	PIPE ELBOW TURNED UP
	PIPE ELBOW TURNED DOWN
	TEE-OFF BOTTOM
	TEE-OFF TOP
	DIRECTION OF FLOW IN PIPE
	PIPE SLOPES DOWN IN DIRECTION INDICATED
	SANITARY WASTE (BELOW GRADE)
	SANITARY WASTE (ABOVE GRADE)
	GREASY WASTE
	ACID WASTE
	ACID VENT (BELOW GRADE)
	ACID VENT (ABOVE GRADE)
	VENT (BELOW GRADE)
	VENT (ABOVE GRADE)
	STORM WATER DRAINAGE (BELOW GRADE)
	STORM WATER DRAINAGE (ABOVE GRADE)
	DOMESTIC COLD WATER (DCW)
	DOMESTIC HOT WATER (DHW)
	DOMESTIC HOT WATER RETURN (DHW-R)
	GAS
	COMPRESSED AIR
	GATE VALVE
	GLOBE VALVE
	BALL VALVE
	CHECK VALVE
	PLUG COCK OR VALVE
	GAS PRESSURE REGULATING VALVE
	SOLENOID VALVE
	PRESSURE REGULATING VALVE
	TEMPERATURE-PRESSURE RELIEF VALVE
	CIRCUIT SETTER
	BACKFLOW PREVENTER
	STRAINER
	HOSE BIBB
	FLOOR DRAIN (PLAN & ELEVATION)
	CLEANOUT (PLAN & ELEVATION)
	HUB DRAIN (PLAN & ELEVATION)
	DOWN SPOUT
	HOSE BIBB
	HUB DRAIN (OPEN SOURCE DRAIN)
	ROOF DRAIN
	VENT
	WASTE
	VENT THRU ROOF
	TRAP PRIMER
	BACKFLOW PREVENTER
	PLUMBING FIXTURE 120V TO 24V TRANSFORMER

THESE PLANS AND SPECIFICATIONS HAVE BEEN PREPARED BY ME OR UNDER MY CLOSE PERSONAL SUPERVISION AND TO THE BEST OF MY KNOWLEDGE AND BELIEF THEY COMPLY WITH ALL CITY, STATE AND FEDERAL REQUIREMENTS, AND I AM NOT PROVIDING CONTRACT ADMINISTRATION.

CERTIFIED CORRECT



THIS DRAWING IS CONFIDENTIAL AND NOT BE LOANED, REPRODUCED, COPIED, EITHER WHOLLY OR IN PART, OR MADE PUBLIC IN ANY MANNER WITHOUT THE WRITTEN CONSENT OF HBSA II ARCHITECTS. A PROFESSIONAL L.L.C. ALL RIGHTS OF DESIGN OR INVENTION ARE RESERVED AND WILL REMAIN THE SOLE PROPERTY OF HBSA II ARCHITECTS A PROFESSIONAL L.L.C.

REVISION HISTORY			
NO.	DATE	DESCRIPTION	BY
1	06/20/16	SCHEMATIC DESIGN	
2	07/14/16	DESIGN DEVELOPMENT	
3	08/12/16	PERMIT REVIEW	
4	09/27/16	PERMIT	

SECTIONS & DETAILS

PROJECT#: _____
PHASE: PERMIT
DRAFTER: MNB
CHECKER: WPH
SCALE: AS NOTED
ISSUED: 9/27/2016

SHEET#:

P301