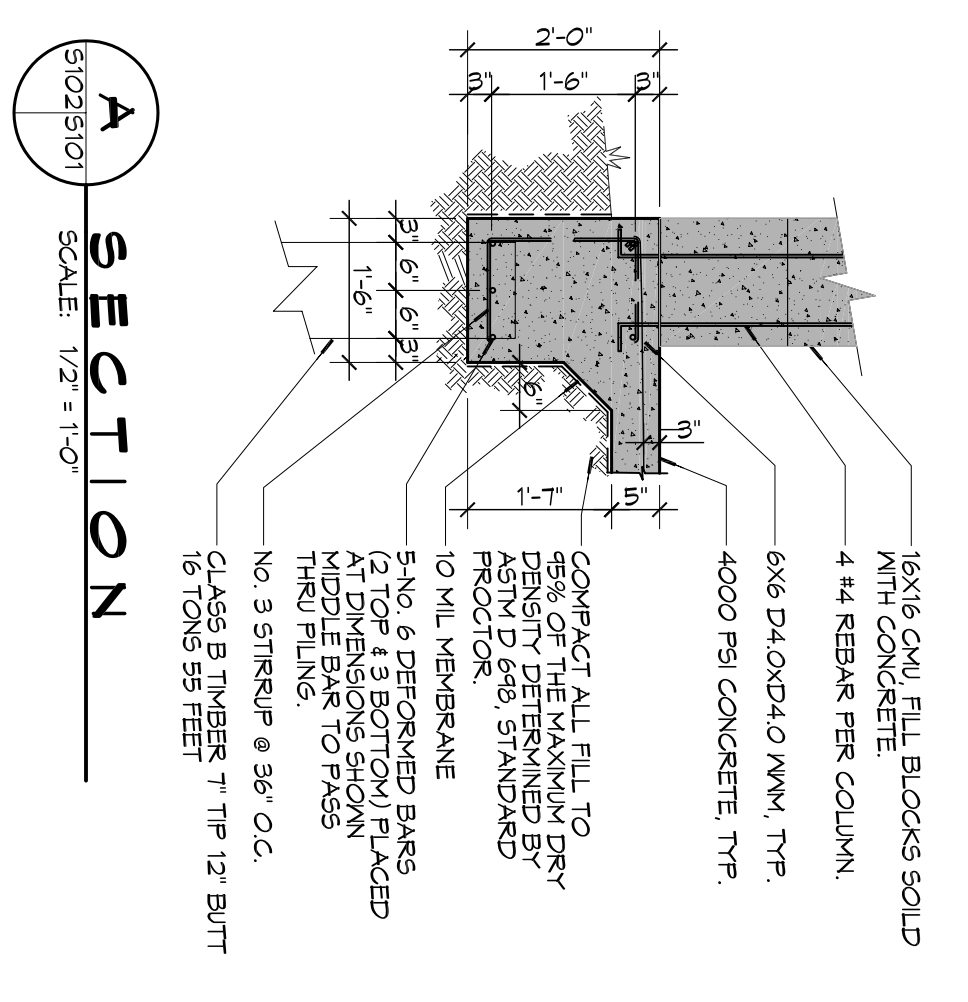
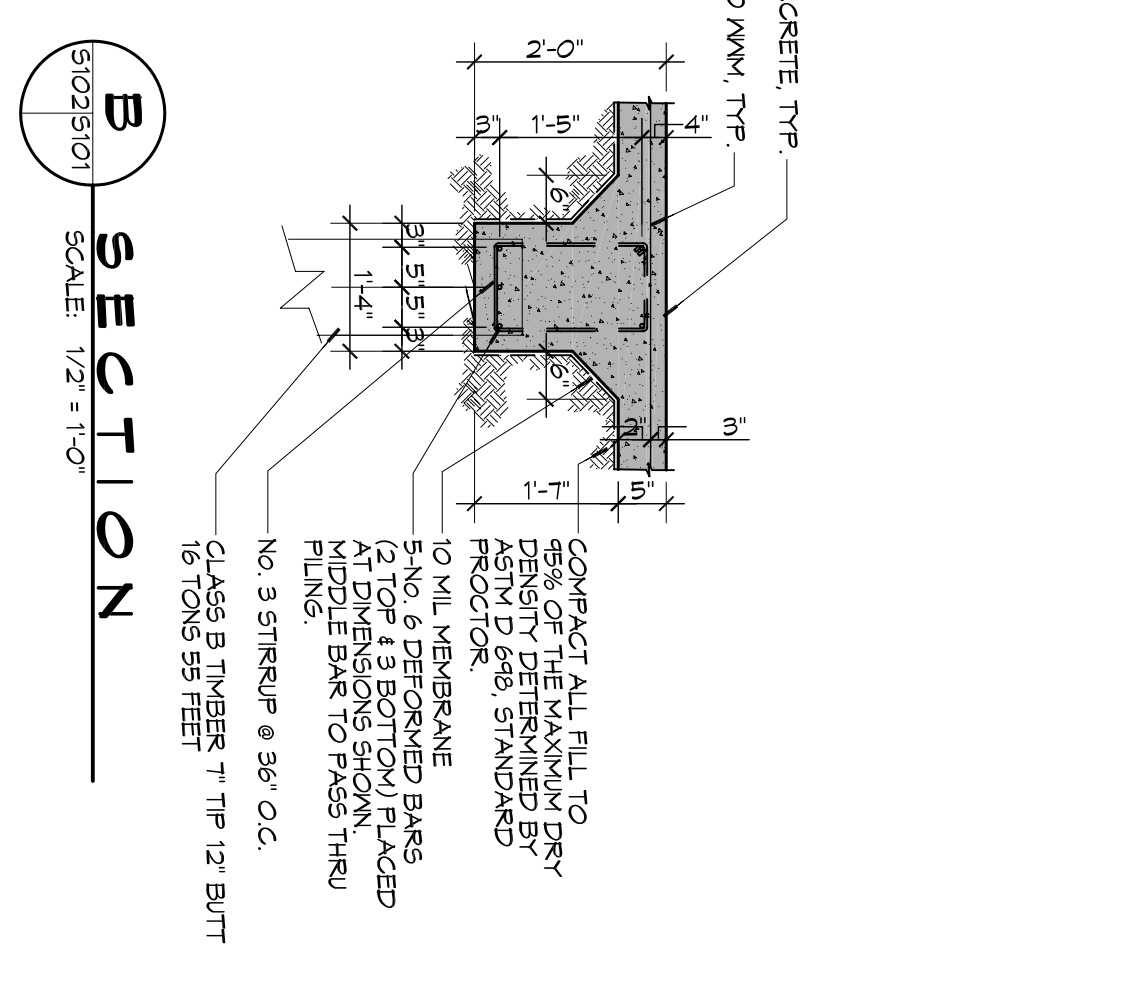


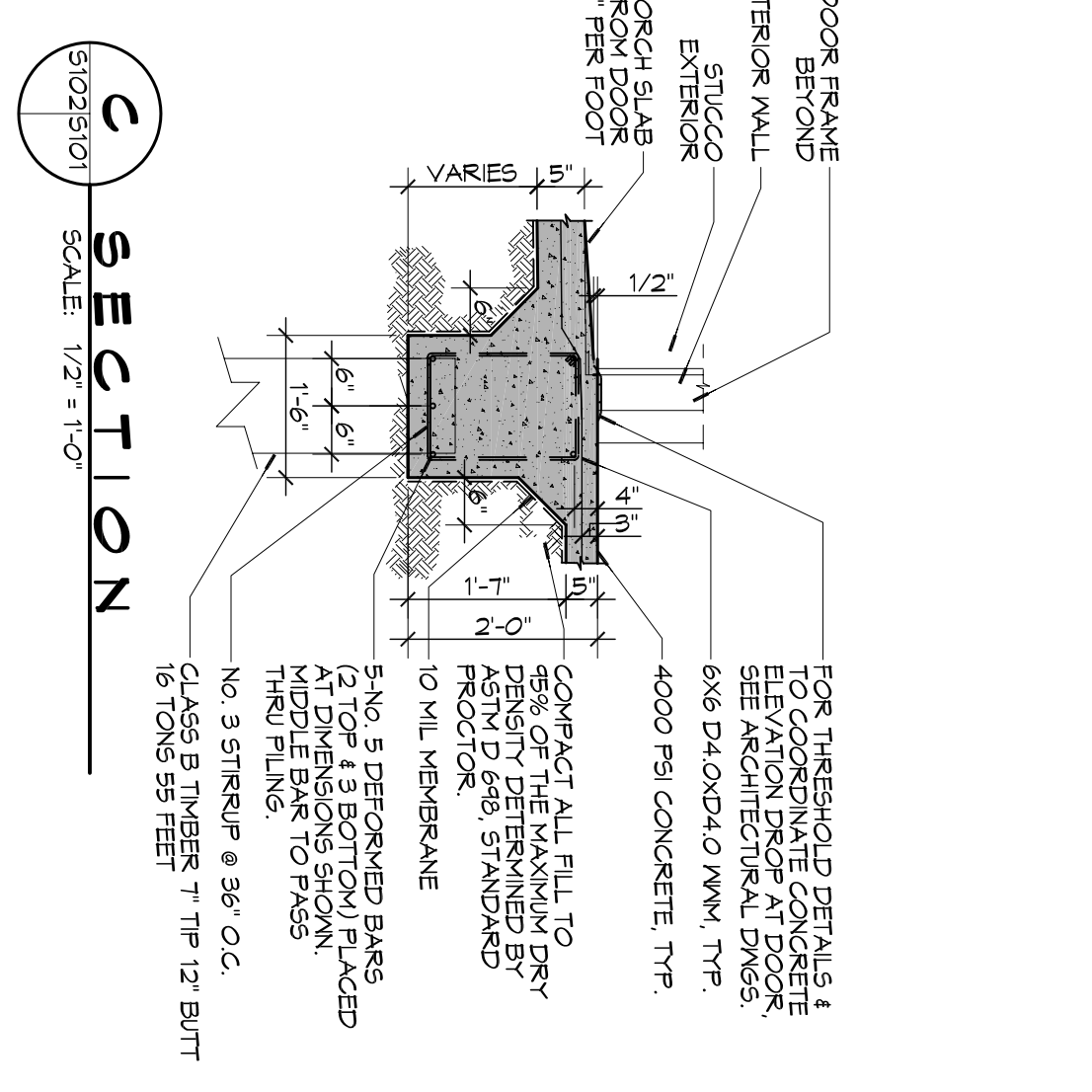
1 FOUNDATION PLAN
SCALE: 1/4" = 1'-0"



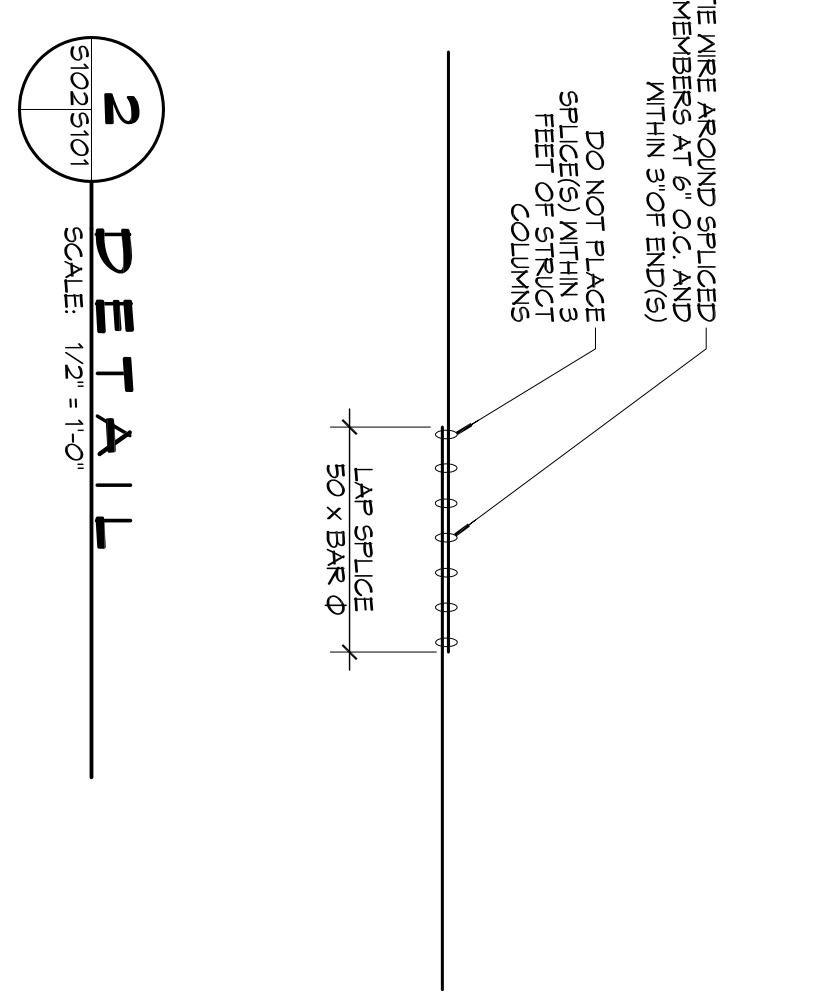
A SECTION
SCALE: 1/2" = 1'-0"



B SECTION
SCALE: 1/2" = 1'-0"



C SECTION
SCALE: 1/2" = 1'-0"



2 DETAIL
SCALE: 1/2" = 1'-0"



554 Old Spanish Trail
Slidell, LA 70458
PH: 985.649.5832
www.dammonengineering.com
info@dammonengineering.com
Fax: 985.641.5950

REVISIONS		DATE
#	DESCRIPTION	

NEW ESTATE FOR:
BRUCE & LISA CLEMENT
THREE JENNIFER LANE
SLIDELL, LOUISIANA 70458
JOB No: 2251 DATE: 08-06-15
DRAWN BY: CKD CHECKED BY: CKD

SHEET TITLE:
FOUNDATION PLAN

DRAWING NUMBER:
5101

SHEET No. 00 of 4