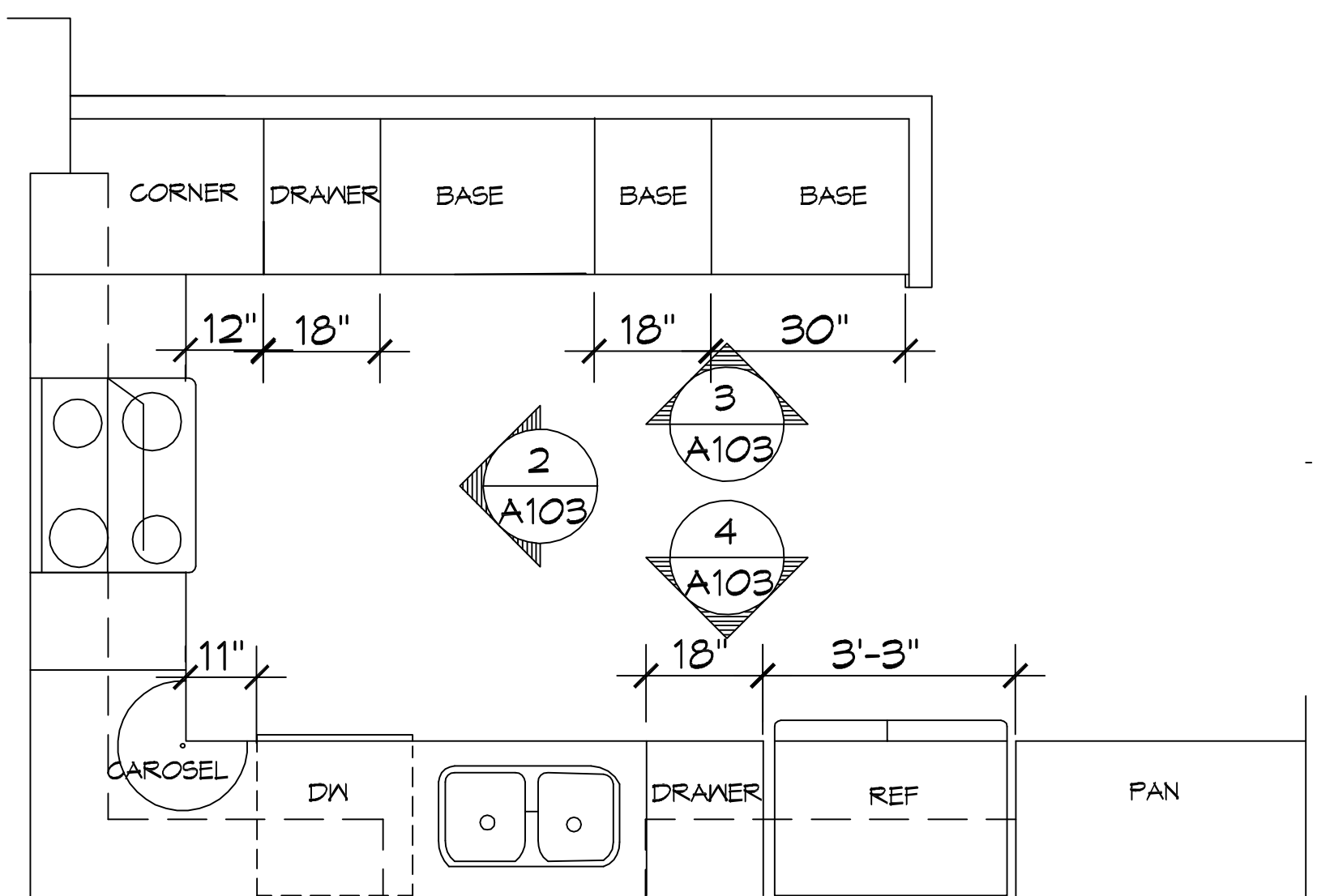
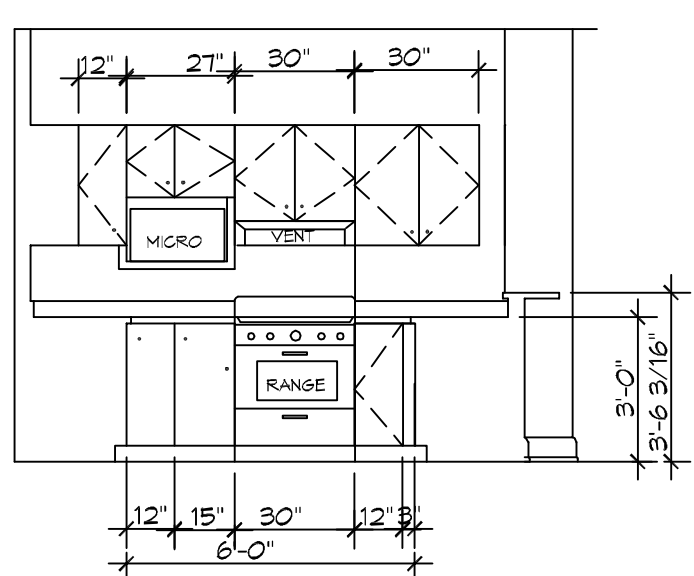


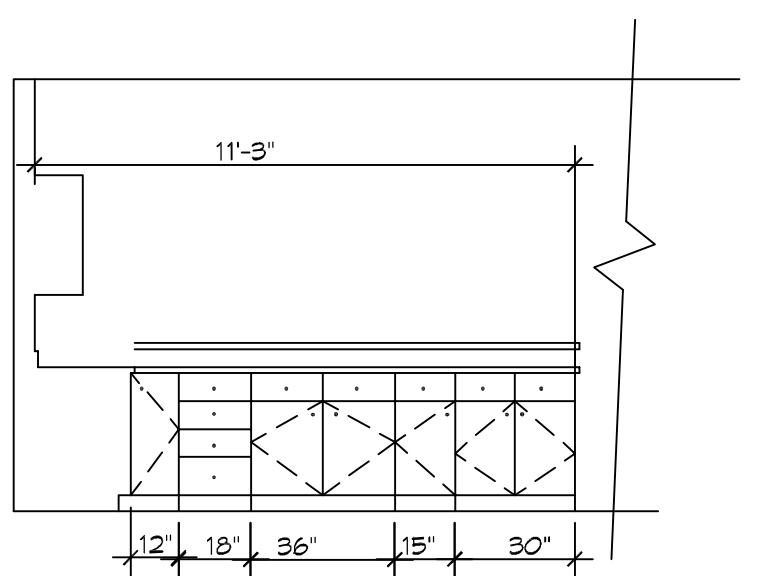
FILE NAME: A:\RESIDENTIAL\Charlottesville\Hood\Layouts\Drawings\Kitchen\A103.dwg DATE: 12-16-2020 10:59:16 AM



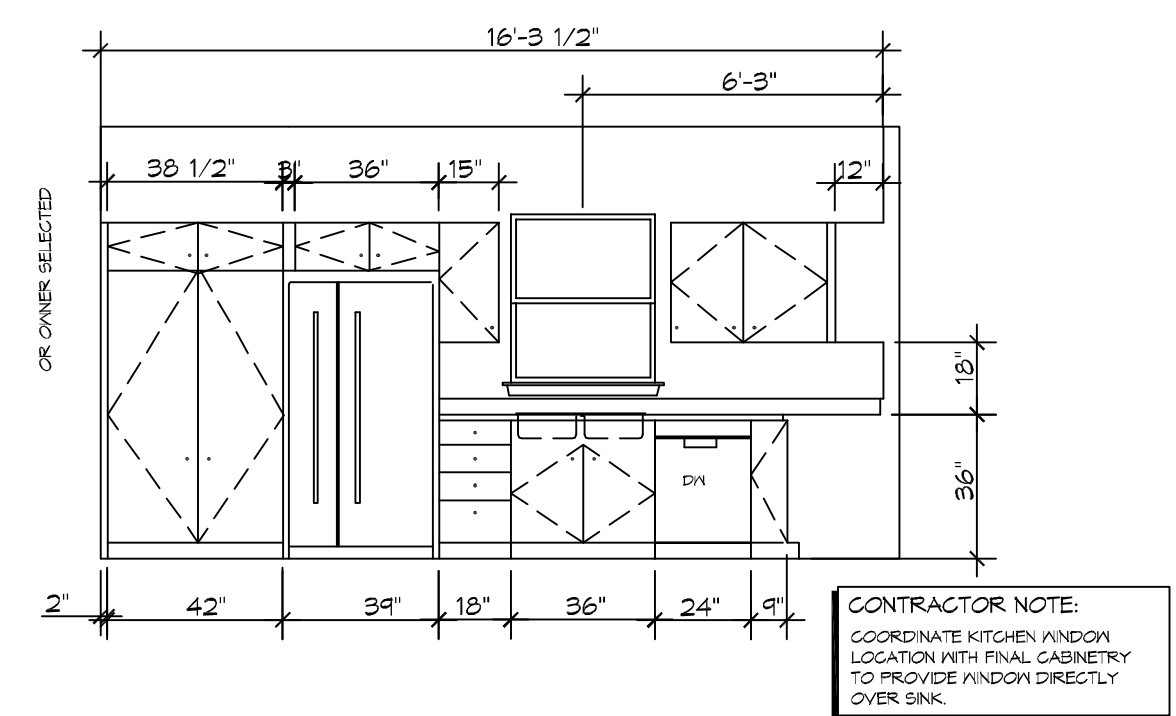
1 KITCHEN PLAN
SCALE: 1/4" = 1'-0"
ARCHITECTURAL



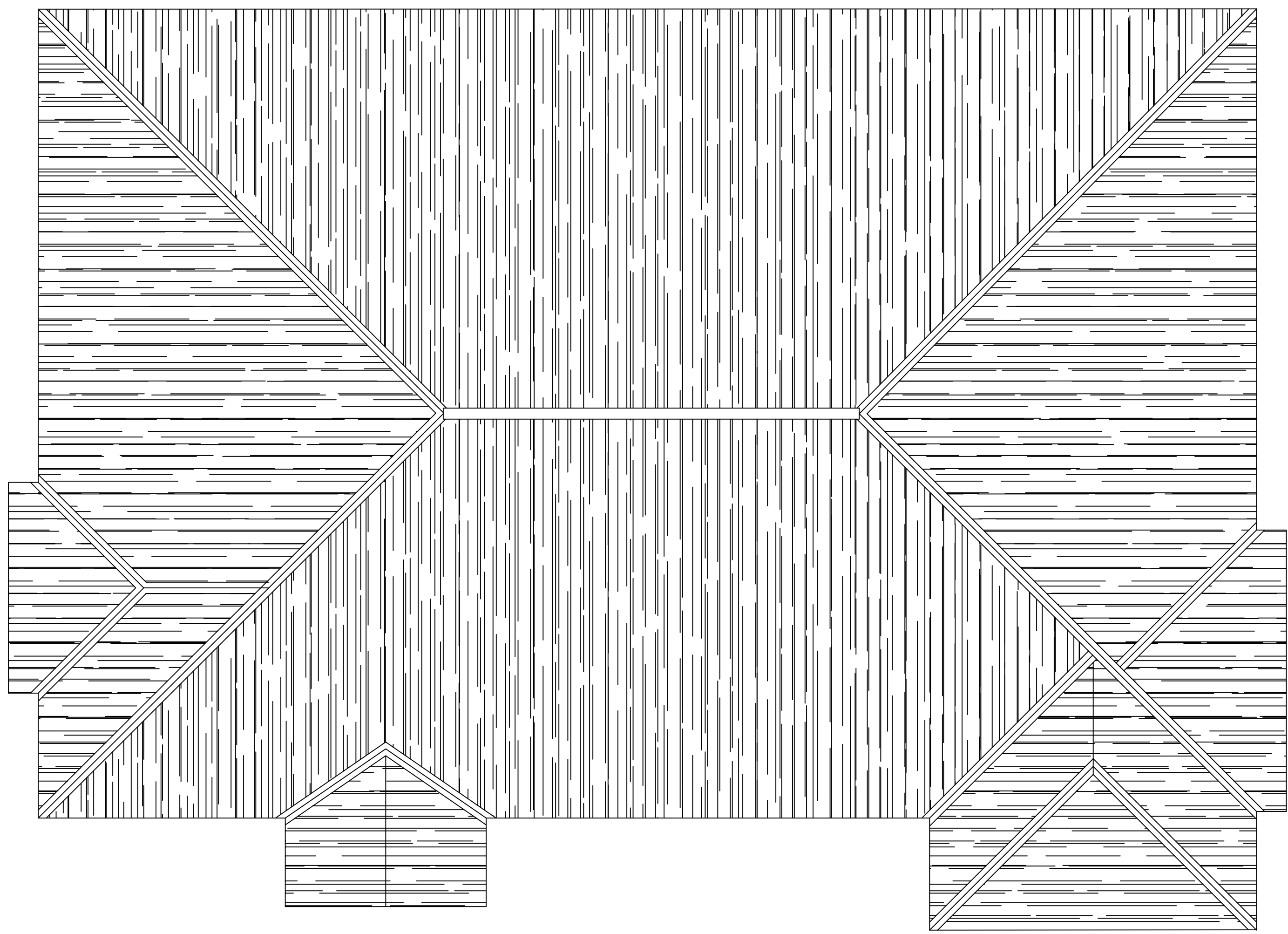
2 KITCHEN ELEVATION
SCALE: 1/4" = 1'-0"
ARCHITECTURAL



3 KITCHEN ELEVATION
SCALE: 1/4" = 1'-0"
ARCHITECTURAL



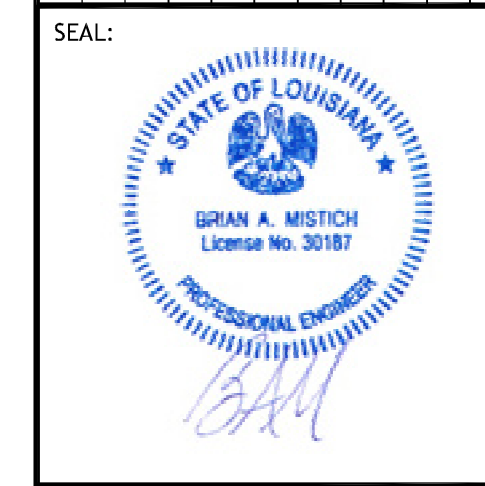
4 KITCHEN ELEVATION
SCALE: 1/4" = 1'-0"
ARCHITECTURAL



11 ROOF PLAN
SCALE: 1/4" = 1'-0"

DAMMON ENGINEERING, INC.
LOUISIANA & MISSISSIPPI
www.dammonengineering.com
info@dammonengineering.com
Chief Engineer: Brian Mistich, PE
554 Old Spanish Trail
Slidell, LA 70668
PH: 985.649.5832

#	DESCRIPTION	DATE



NEW RESIDENTIAL
CHARLOTTE HOOD
20190 CREOLE ROAD
LACOMBE, LA. 70445
JOB No: 2019 DATE: 12-16-2020
DRAWN BY: CKD CHECKED BY: CKD

SHEET TITLE:
ROOF PLAN AND KITCHEN ELEVATIONS
DRAWING NUMBER:
A103
SHEET No: 7 of 10