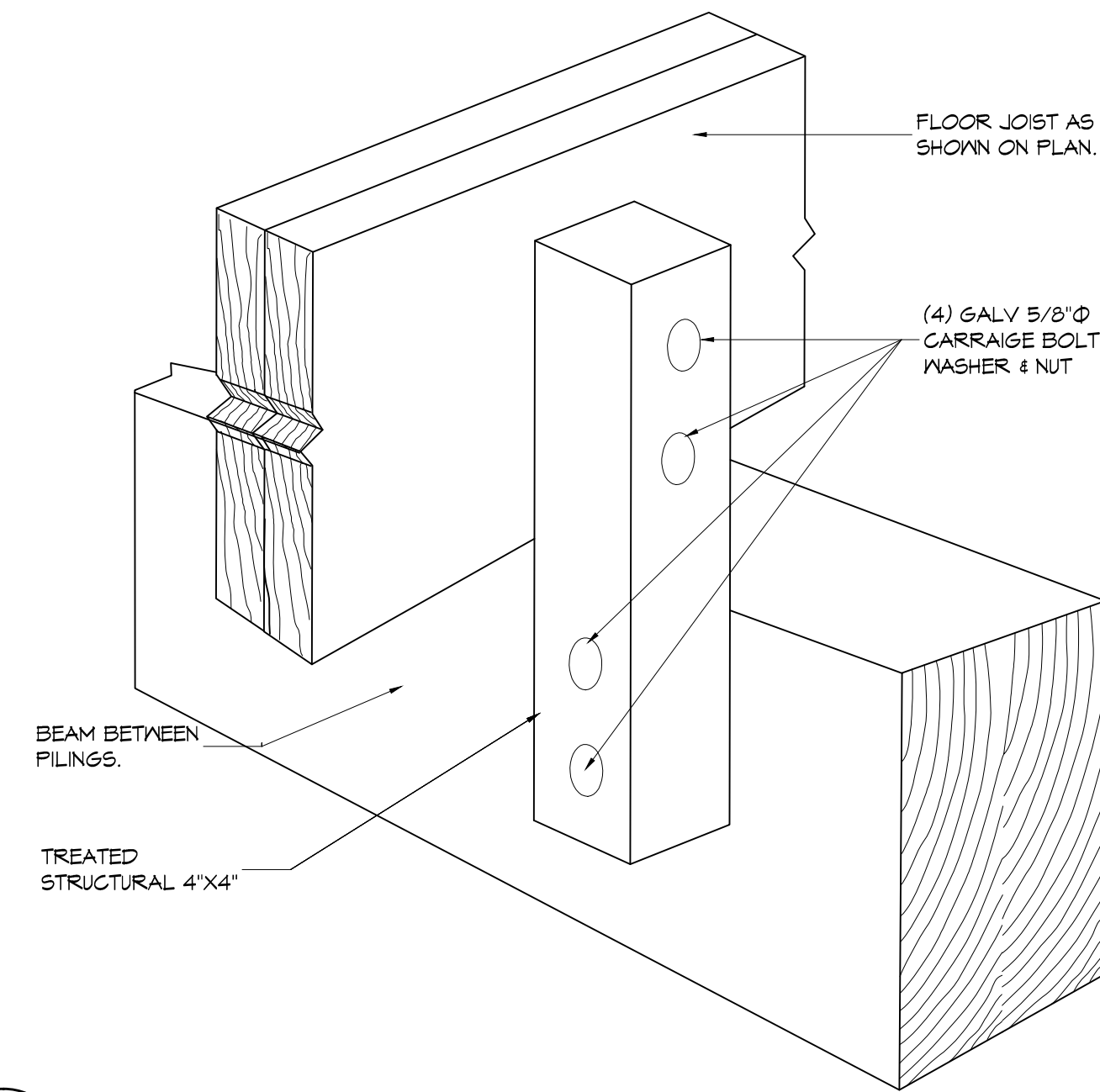
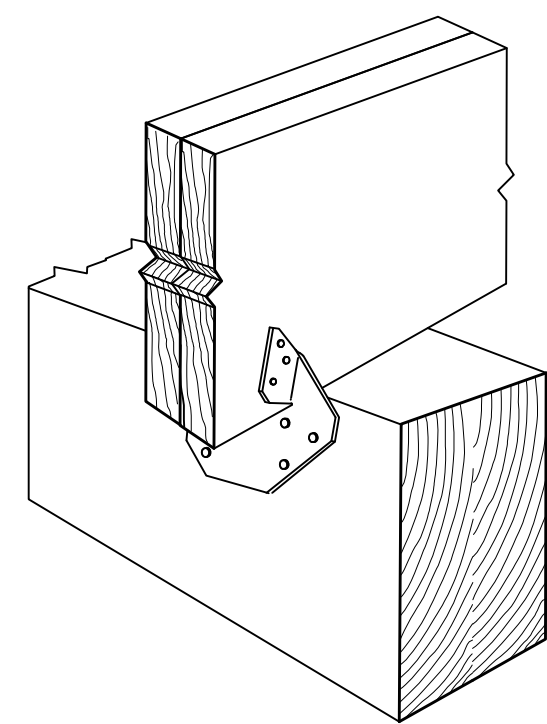


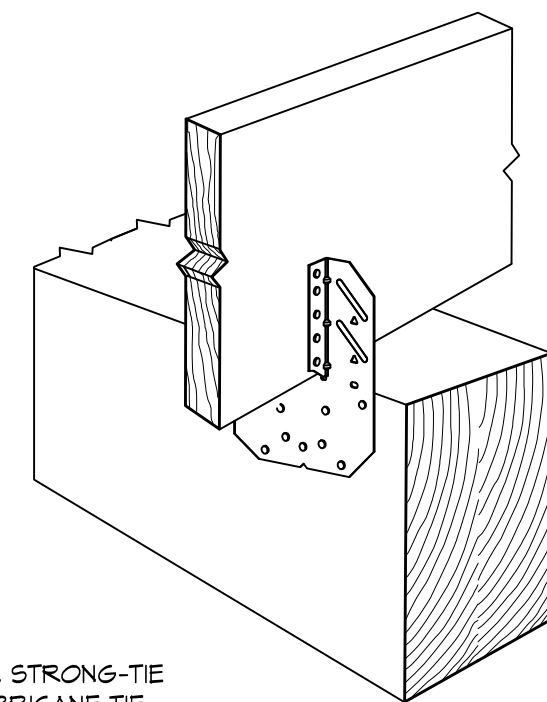
D:\L\DWG - \3\0401-Dammmon\04a-Struct-Residence-04r-Flooring.dwg, 15-Apr-2015 2:56:02 PM



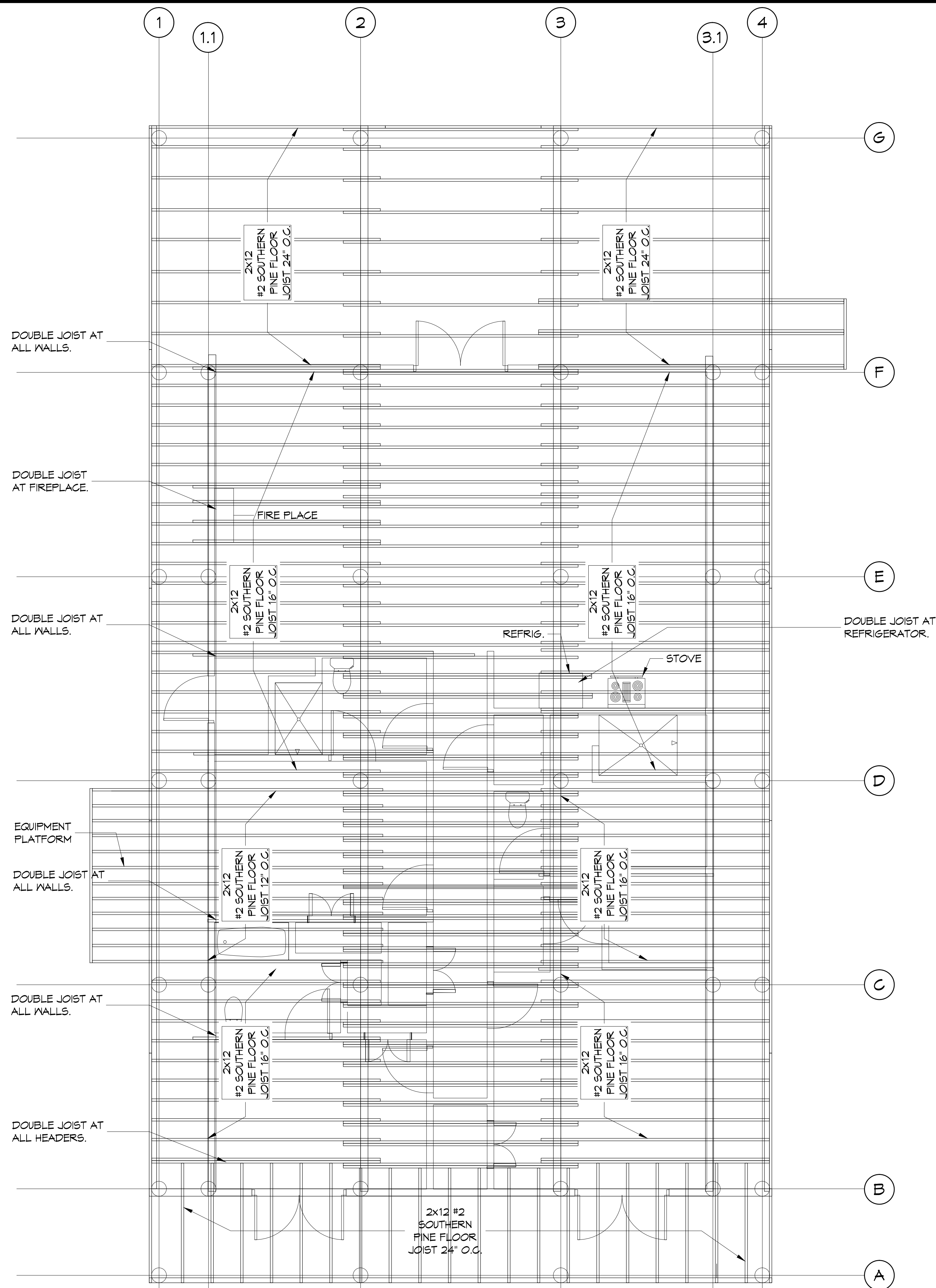
4 **DETAIL**
 5-23-2 SCALE: 3/16" = 1'-0" ALTERNATE METHOD OF STRAPPING



3 **DETAIL**
 5-23-2 SCALE: 3/16" = 1'-0" DOUBLE JOIST



2 **DETAIL**
 5-23-2 SCALE: 3/16" = 1'-0" SINGLE JOIST



1 **FLOOR FRAMING PLAN**
 5-23-2 SCALE: 1/4" = 1'-0"

DAMMON
 ENGINEERING, INC.

Architects & Engineers

CHEY KENTZEL, P.E., L.K.S., N.C.R.B.
 Civil Engineer
 554 Old Spanish Trail
 Slidell, LA 70568
 PH: 985.649.5832
 info@dammoneengineering.com
 www.dammoneengineering.com
 F: 985.641.5990

#	DESCRIPTION	DATE

SEAL:

**PRELIMINARY
 NOT FOR
 CONSTRUCTION**

STRUCTURAL DRAWINGS
STERILIDENCE

DRAWN BY: JTL
 CHECKED BY: CKD
 DATE: APRIL 16 2015
 JOB No: 25100 CHEY KENTZEL HWY
 NEW ORLEANS, LOUISIANA

SHEET TITLE:
 TITLE-1

DRAWING NUMBER:
S-2

SHEET No: 2 of 4