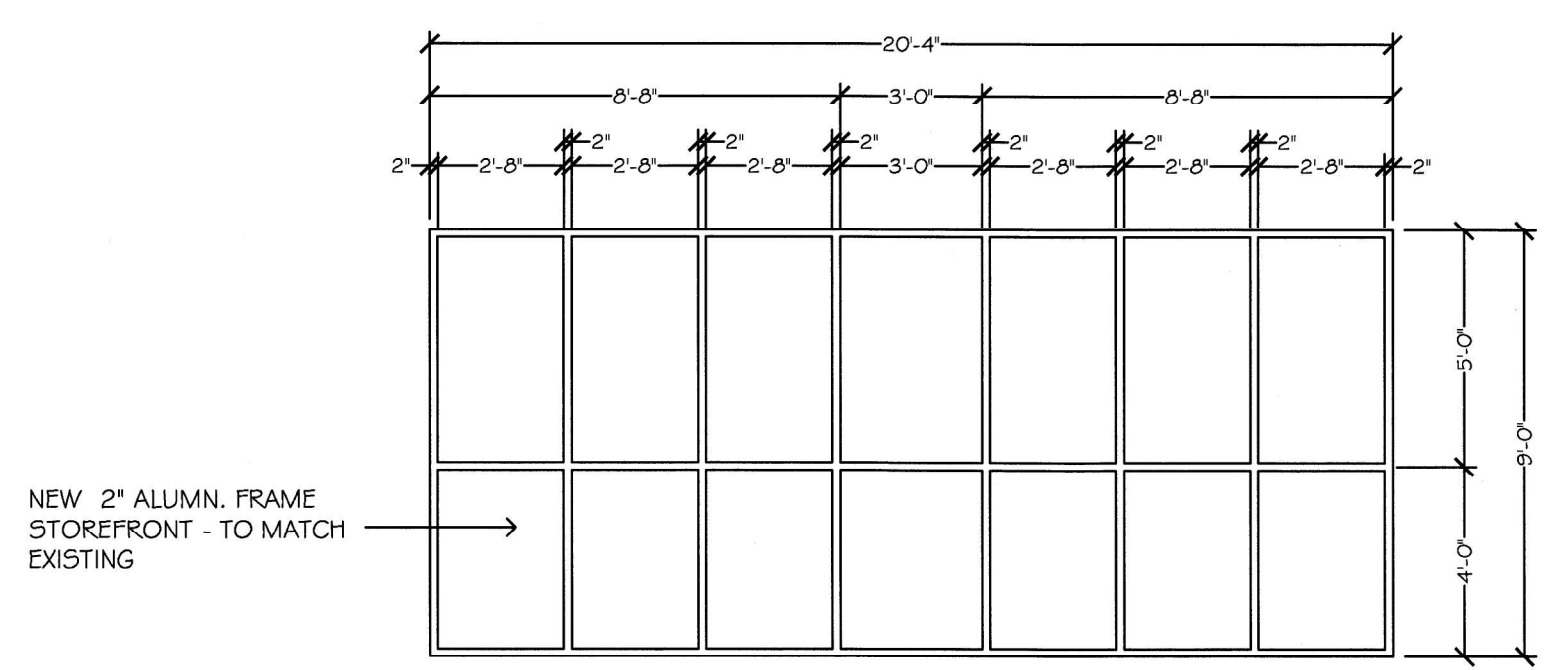
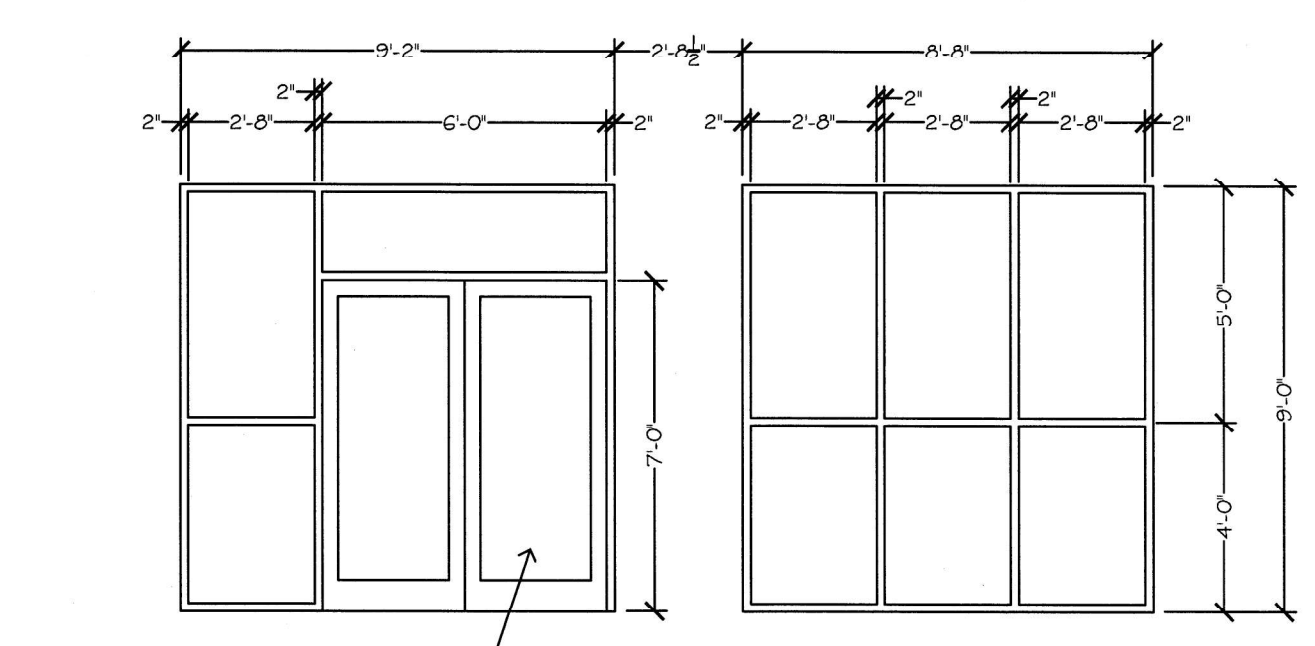


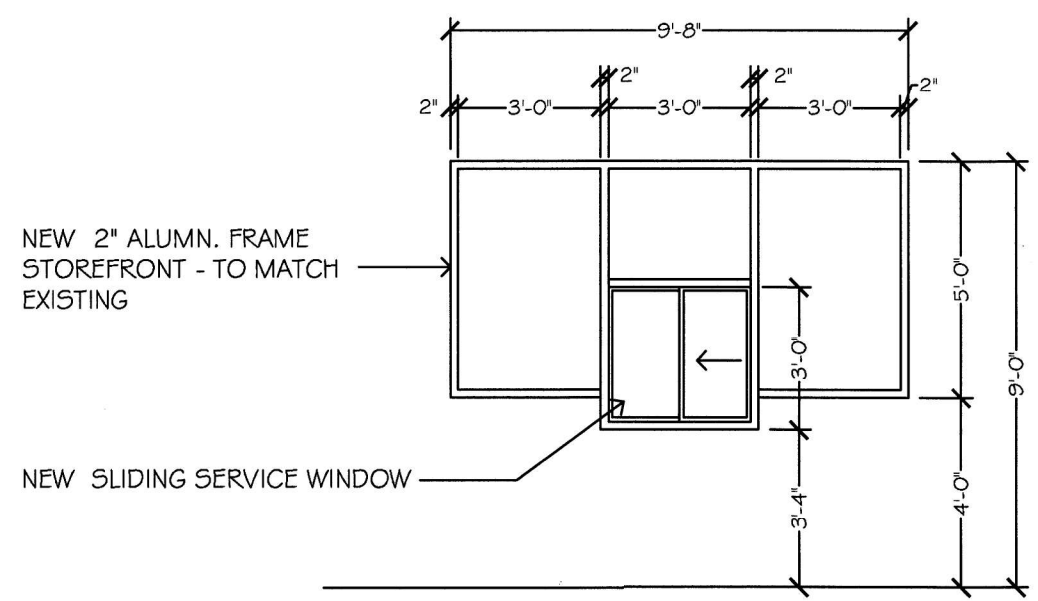
1. NEW FLOOR PLAN
SCALE: 3/16" = 1'-0"



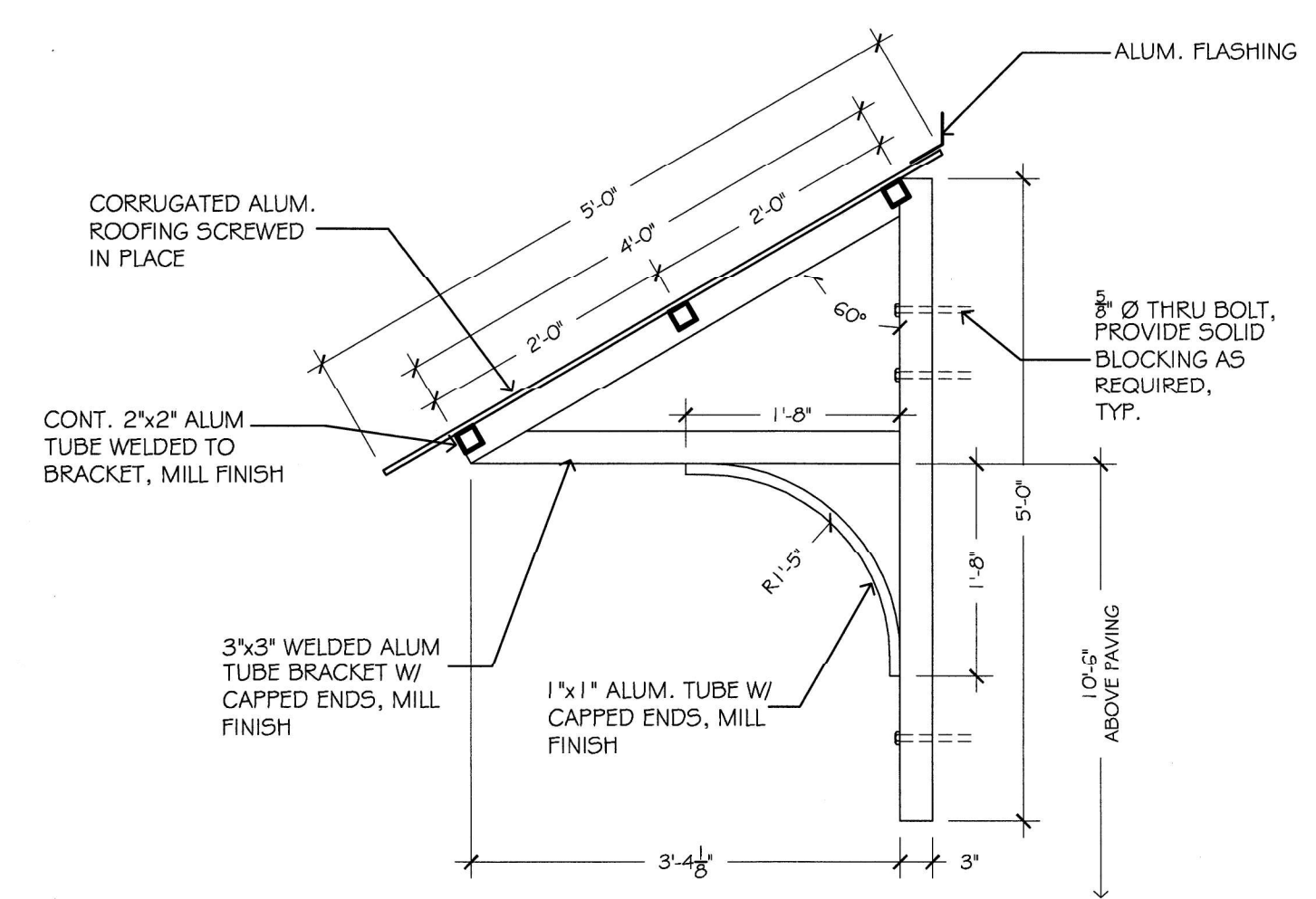
2. NEW STOREFRONT
SCALE: 1/4" = 1'-0"



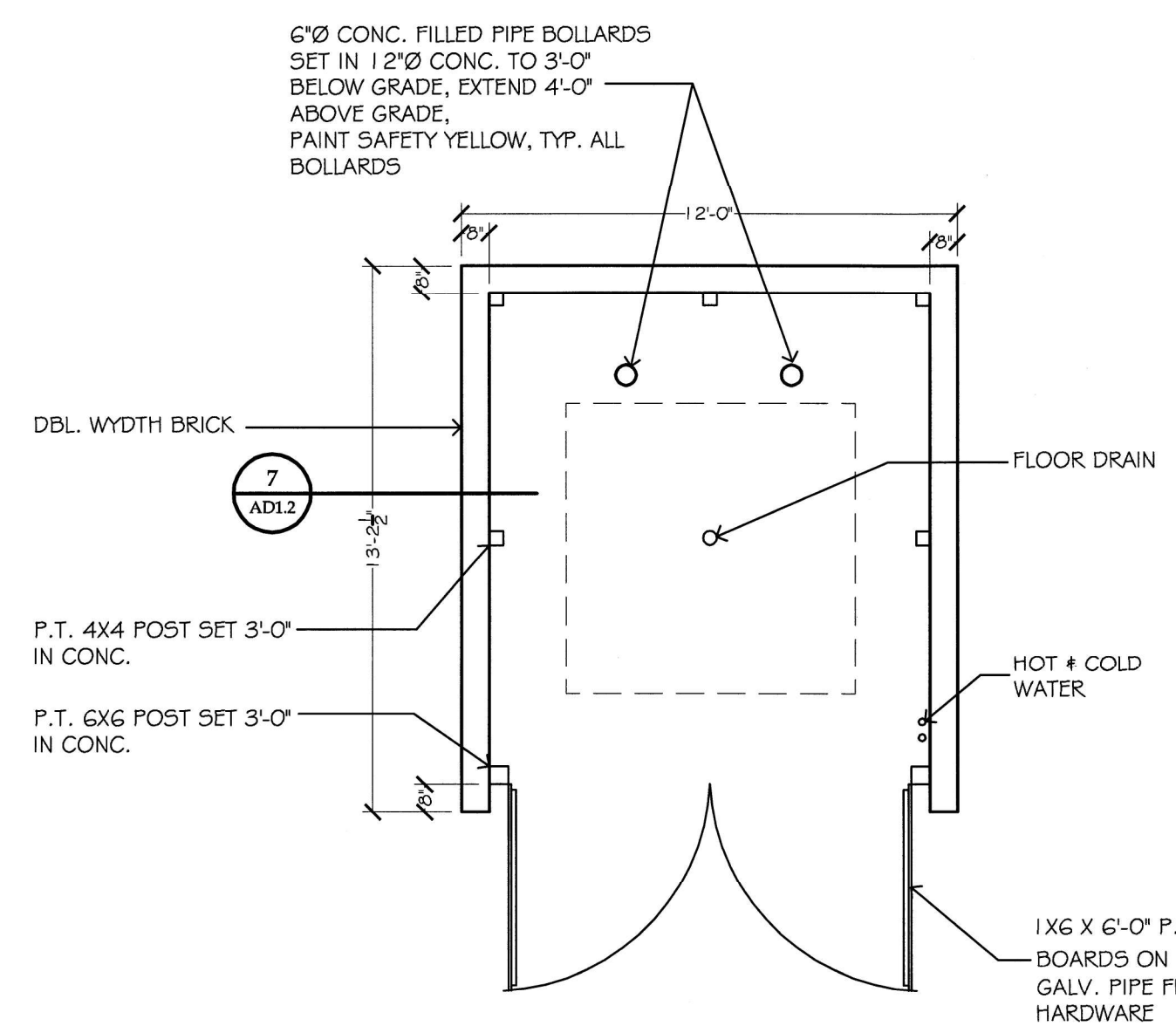
3. NEW STOREFRONT
SCALE: 1/4" = 1'-0"



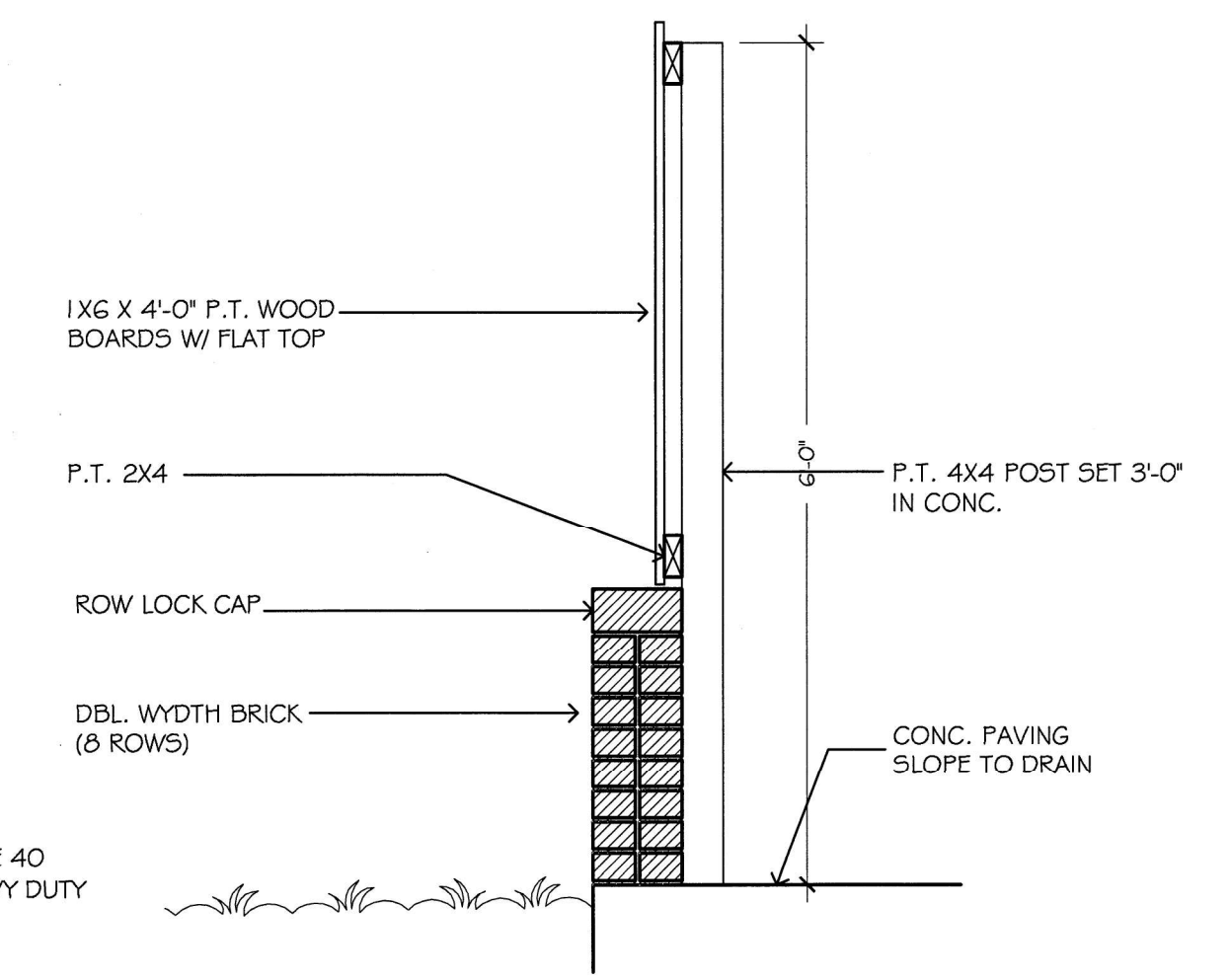
4. NEW STOREFRONT
SCALE: 1/4" = 1'-0"



5. CANOPY DETAIL
SCALE: 3/4" = 1'-0"



6. DUMPSTER AREA
SCALE: 1/4" = 1'-0"



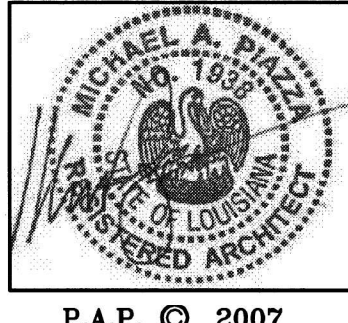
7. SECTION
SCALE: 3/4" = 1'-0"

ADDENDUM #1
7/31/07

project 3507
date 7/5/07
revisions



Piazza Architecture • Planning
Mandeville Louisiana



P.A.P. © 2007

RENOVATIONS FOR
**GAUSE BOULEVARD
RETAIL CENTER**
SLIDELL • LOUISIANA

sheet
AD1.2

of 17