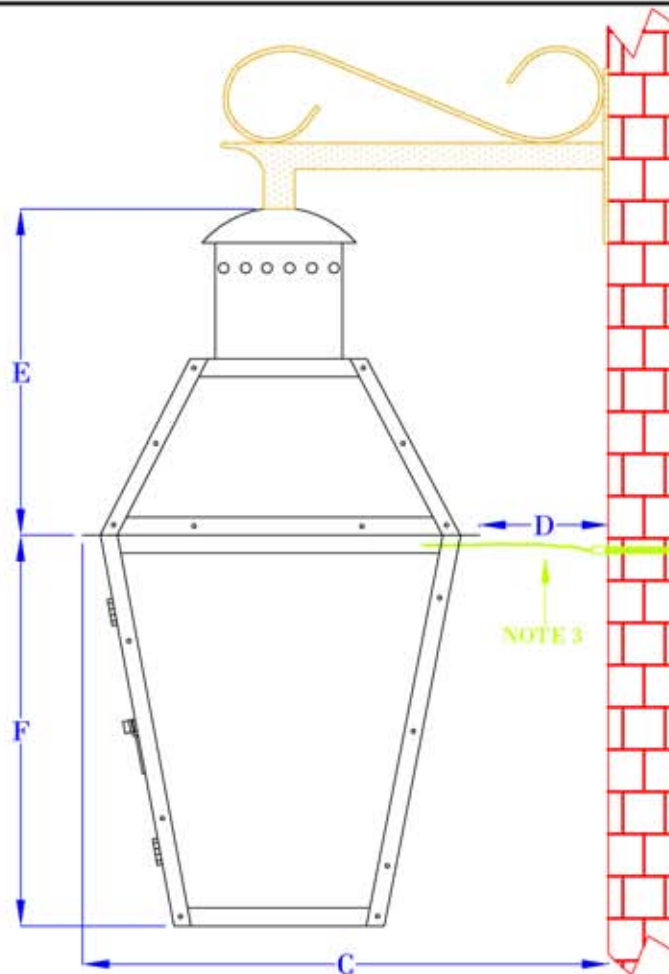
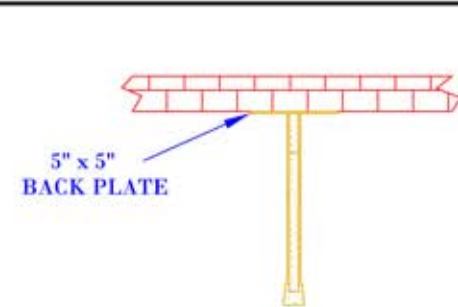


FRONT VIEW
(NTS)



SIDE VIEW
(NTS)



TOP VIEW
(NTS-BRACKET ONLY)

NOTES:

1. MOUNTING HARDWARE SUPPLIED BY OTHERS
2. FIXTURES ARE HANDCRAFTED. DIMENSIONS MAY VARY PLUS OR MINUS $\frac{1}{4}$ "
3. GAS LIGHTS SUPPLIED WITH $\frac{3}{16}$ " COPPER GAS LINE AND $\frac{3}{16}$ " x $\frac{1}{4}$ " GAS LINE ADAPTOR

SIZE:	14"	18"	21"	24"
A:	18 $\frac{7}{8}$ "	22 $\frac{3}{8}$ "	25 $\frac{1}{8}$ "	29 $\frac{7}{8}$ "
B:	9 $\frac{1}{4}$ "	10 $\frac{1}{2}$ "	11 $\frac{1}{2}$ "	13 $\frac{1}{4}$ "
C:	13 $\frac{7}{8}$ "	14 $\frac{1}{2}$ "	15"	15 $\frac{7}{8}$ "
D:	4 $\frac{5}{8}$ "	4"	3 $\frac{1}{2}$ "	2 $\frac{5}{8}$ "
E:	6 $\frac{1}{4}$ "	7 $\frac{5}{8}$ "	9 $\frac{3}{8}$ "	12 $\frac{3}{8}$ "
F:	8"	10 $\frac{1}{8}$ "	11 $\frac{1}{8}$ "	12 $\frac{7}{8}$ "

BEVOLO GAS & ELECTRIC LIGHTS

DRW BY: JJG

LIGHT: FRENCH QUARTER

DATE: APP. BY: MAJ

COPYRIGHT 2009, BEVOLO GAS & ELECTRIC LIGHTS. DRAWINGS & DESIGNS ARE OWNED BY BEVOLO AND REMAIN THE SOLE AND EXCLUSIVE PROPERTY OF BEVOLO GAS & ELECTRIC LIGHTS. DRAWINGS AND DESIGNS SHALL NOT BE DUPLICATED IN WHOLE OR PART.

BRACKET: DROP BRACKET - GAS

10-19-10 REVISION: 2