

PRODUCT DETAILS

Posts:

Class A 12 gauge hot dip galvanized steel
Overall height 6' or 3' with 8x8 base plate

W Beams:

Class A 12 gauge hot dip galvanized steel

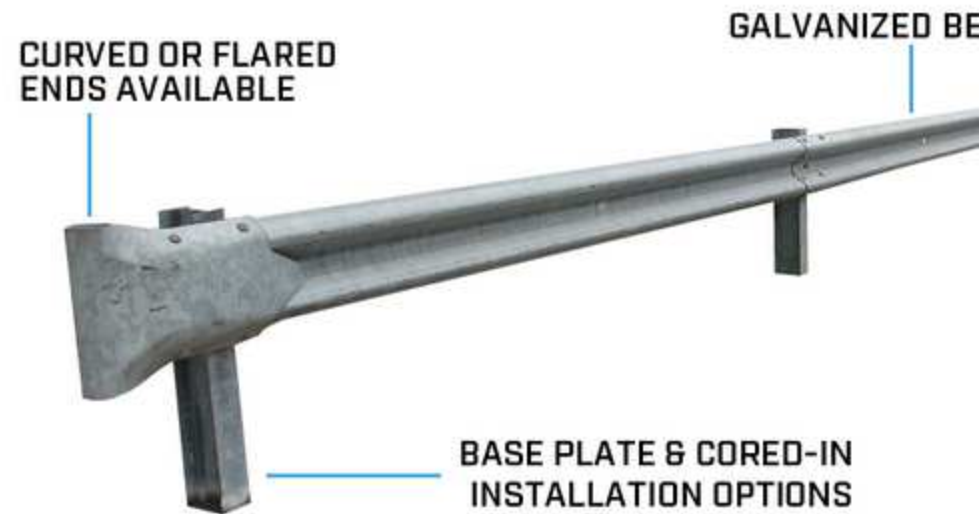
Overall length 13' 6" 12'-6" between bolt patterns

Post spacing every 12' 6" or 6' 3"

End Sections:

Class A 12 gauge hot dip galvanized
Curved, Flared, or Corner Ends available

*Installation hardware not included



AMS

