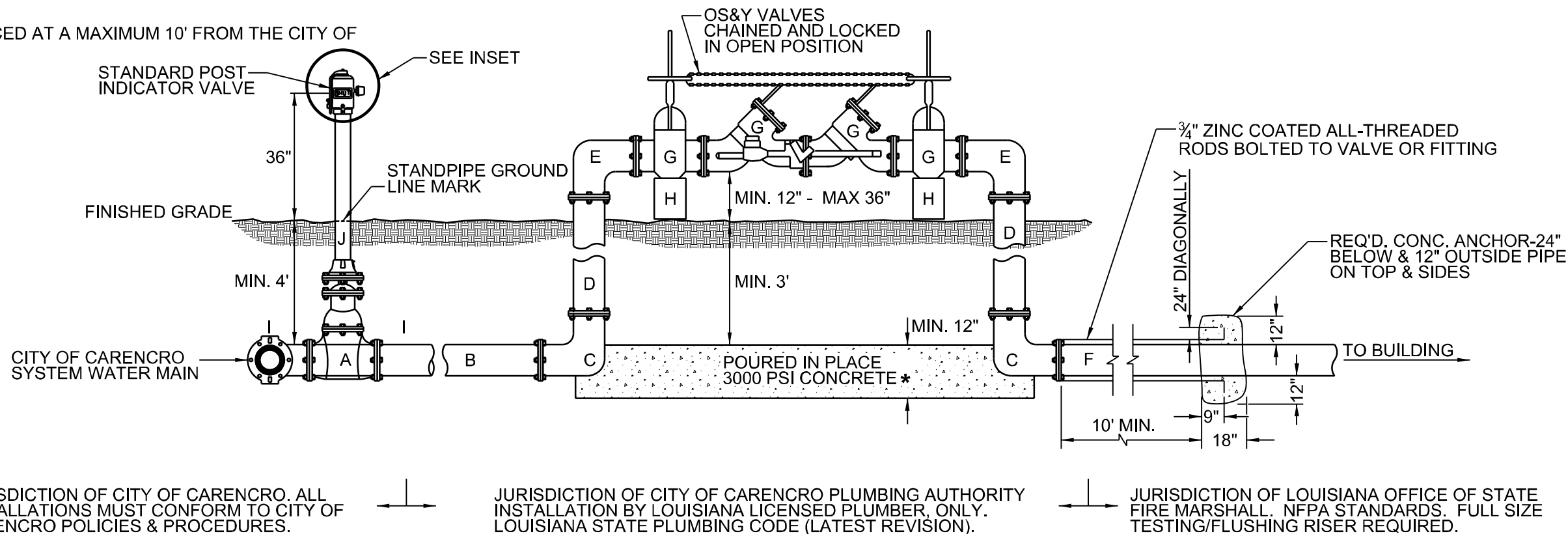


**NOTES:**

1. FOR INSTALLATIONS UNDER THE JURISDICTION OF CITY OF CARENCRO, THE OWNER'S ENGINEER OF RECORD SHALL PROVIDE ASBUILT RECORDS, TESTING REPORTS, RECORDED EASEMENTS, AND OTHER REQUIREMENTS SPECIFIC TO THE INSTALLATION PRIOR TO TESTING. THE OWNER'S ENGINEER SHALL COORDINATE WITH THE CITY OF CARENCRO TO ARRANGE A PRECONSTRUCTION MEETING AND A FINAL INSPECTION.
2. ONLY CITY OF CARENCRO PERSONNEL CAN OPERATE CITY OF CARENCRO VALVES. VIOLATORS WILL BE CITED AND FINED.
3. POST INDICATOR VALVE SHALL BE LOCATED A MINIMUM 40' FROM THE BUILDING.
4. THERE SHALL BE 36" OF UNOBSTRUCTED CLEARANCE AROUND THE PERIMETER OF ALL POST INDICATOR VALVES.
5. BACKFLOW PREVENTER SHALL BE PLACED AT A MAXIMUM 10' FROM THE CITY OF CARENCRO SYSTEM WATER MAIN.



JURISDICTION OF CITY OF CARENCRO. ALL INSTALLATIONS MUST CONFORM TO CITY OF CARENCRO POLICIES & PROCEDURES.

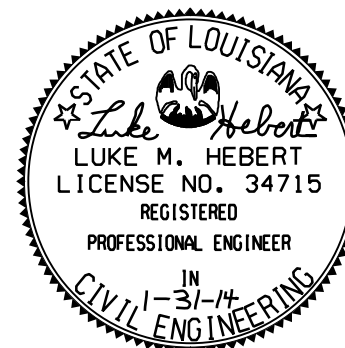
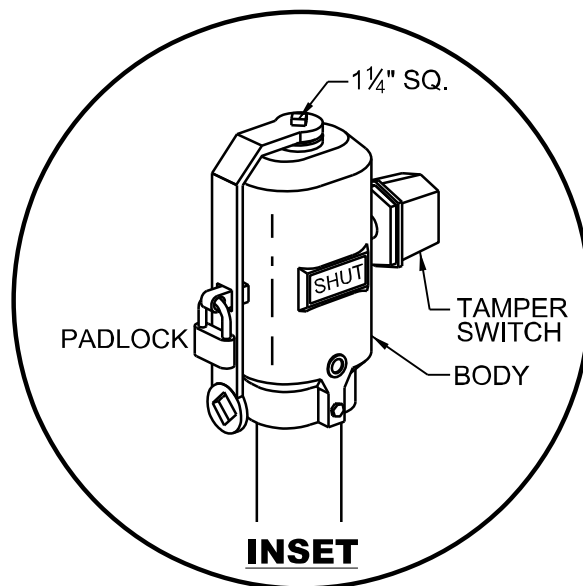
JURISDICTION OF CITY OF CARENCRO PLUMBING AUTHORITY. INSTALLATION BY LOUISIANA LICENSED PLUMBER, ONLY. LOUISIANA STATE PLUMBING CODE (LATEST REVISION).

JURISDICTION OF LOUISIANA OFFICE OF STATE FIRE MARSHALL. NFPA STANDARDS. FULL SIZE TESTING/FLUSHING RISER REQUIRED.

**LEGEND \***

- A - MJ RESILIENT GATE VALVE & BOX (INSTALLATION VARIES): TAPPING VALVE/SLEEVE - M&H 974/MUELLER H615; GATE VALVE/ANCHOR TEE - M&H (AWWA C-509) /MJ DUCTILE IRON (350 PSI) AWWA C-110/C-153; BOX-TYLER 5-1/4. WITH RETAINER GLANDS (FORD UFR 1500/UFR 1400).
  - B - AWWA CLASS 150, C-900, SDR 18, PVC PIPE.
  - C - 90° MJ x FLANGED DUCTILE IRON (350 PSI) FITTING (AWWA C-110/C-153). WITH RETAINER GLANDS (FORD UFR 1500/UFR 1400).
  - D - DUCTILE IRON FLANGED PIPE (AWWA C-151).
  - E - 90° FLANGED DUCTILE IRON (350 PSI) FITTING (AWWA C-110/C-153).
  - F - AWWA CLASS 200, C-900, PVC PIPE.
  - G - WATTS 709 DCDA ASSEMBLY, AMES 3000 SS, FEBCO 856, WILKINS 350DA & 450DA; INCLUDES BY-PASS METER, OS&Y VALVES AND BY-PASS DOUBLE CHECK VALVE ASSEMBLY.
  - H - CONCRETE SUPPORT.
  - I - ALL FITTINGS/JOINTS/VALVES/APPURTENANCES MUST BE RESTRAINED. TWO VALVES WILL BE REQUIRED WHERE THE EXISTING CITY OF CARENCRO MAIN IS EXTENDED (IE: PUBLIC ROADWAY CROSSING).
  - J - ADJUSTABLE INDICATOR POST WITH PLATE - MUELLER UL/FM, A-20806.
- \* OR PRIOR APPROVED BY AUTHORITIES OF JURISDICTION.

PROVIDE FREEZE PROTECTION ON ALL INSTALLATIONS AT THE DIRECTION OF THE STATE OF LOUISIANA FIRE MARSHALL.



**DOUBLE CHECK VALVE ASSEMBLY AND POST INDICATOR VALVE**

SCALE: N.T.S.  
 DATE: 12-6-13  
 DRAWN BY: RET  
 DESIGNED BY: LMH

