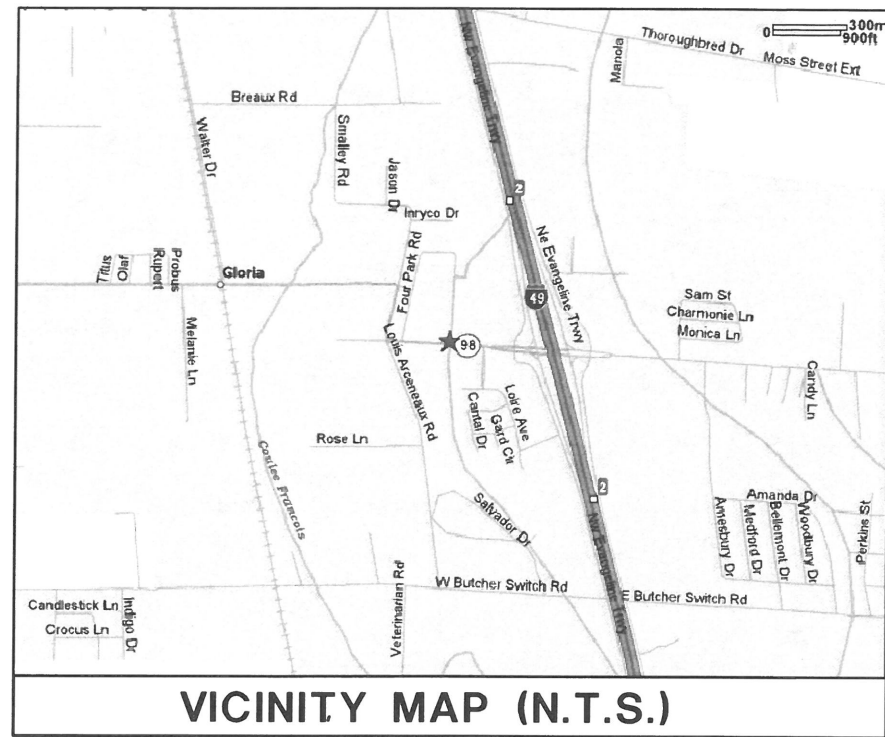
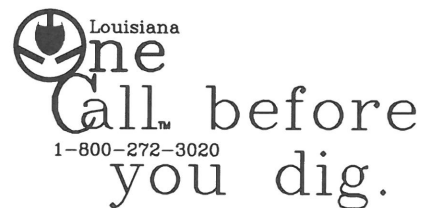


200 W. GLORIA SWITCH RD. (BIG POPPA'S) PHASE I



FROM LAFAYETTE, TAKE I-49 NORTH (HIGHWAY 167) TO GLORIA SWITCH ROAD (HIGHWAY 98). TURN LEFT ONTO WEST GLORIA SWITCH ROAD APPROX. 500 FT., THE SITE IS LOCATED ON THE RIGHT SIDE OF THE ROAD.



DIG ALERT:
CALL FOR UNDERGROUND UTILITIES PRIOR TO DIGGING

EMERGENCY:
DIAL 911

ENGINEER:
TOWER ENGINEERING, INC
119 VETERINARIAN ROAD
LAFAYETTE, LA 70507
TEL: (337) 886-7176
FAX: (337) 896-6663

SURVEYOR:
TURNER SURVEYS
15732 E. HOFFMAN ROAD
PONCHATOULA, LA 70454
TEL: (985) 386-2358

PROJECT OWNER:
CARROLL CASTILLE

PROJECT DATA:
PARISH/COUNTY : LAFAYETTE
ZONING : N/A
TYPE OF CONSTRUCTION : 5-N (NON COMBUSTIBLE)
TYPE OF OCCUPANCY : U-2
IBC : 2003
LEASE AREA : N/A

GEOGRAPHIC COORDINATES:
LATITUDE: N/A
LONGITUDE: N/A

UTILITIES:

POWER COMPANY:
SLEMCO
TEL: (337) 896-5384

TELEPHONE COMPANY:
AT&T
TEL: 1-800-238-5501

PROJECT INFORMATION

SHEET NUMBER: DESCRIPTION:

T-1	TITLE SHEET, VICINITY MAP & GENERAL INFORMATION
-----	---

CML:

C-1	SITE PLAN
C-2	SITE LAYOUT
C-3	GRADING PLAN
C-4	DETENTION POND DETAILS
C-5	GENERAL DETAILS
C-6	GENERAL PAVING DETAILS

SURVEY:

S-1	SITE SURVEY
-----	-------------

SHEET INDEX

THESE DRAWINGS AND/OR THE ACCOMPANYING SPECIFICATION ARE THE EXCLUSIVE PROPERTY OF TOWER ENGINEERING, INC. AND THEIR USE AND PUBLICATION SHALL BE RESTRICTED TO THE ORIGINAL SITE FOR WHICH THEY ARE PREPARED. REUSE, REPRODUCTION OR PUBLICATION BY ANY METHOD, IN WHOLE OR IN PART, IS PROHIBITED EXCEPT BY WRITTEN PERMISSION FROM TOWER ENGINEERING, INC.

TOWER ENGINEERING, INC.
119 Veterinarian Road
Lafayette, LA 70507
(337) 886-7176 Tel.
(337) 896-6663 Fax

1704 Justin Road
Metairie, LA 70001
(504) 556-6126 Tel.
(504) 556-6125 Fax

REVISION			
NO.	DESCRIPTION	BY	DATE
1	PRELIM ISSUE	HG	12/11/07
2	FINAL ISSUE	HG	2/18/08
3			
4			
5			
6			

SITE NUMBER:
2107-001-1015

SITE NAME:
**200 GLORIA SWITCH
PHASE I**

SITE ADDRESS:
200 W. GLORIA SWITCH ROAD
CARENCRO, LA 70507

STAMP HERE:

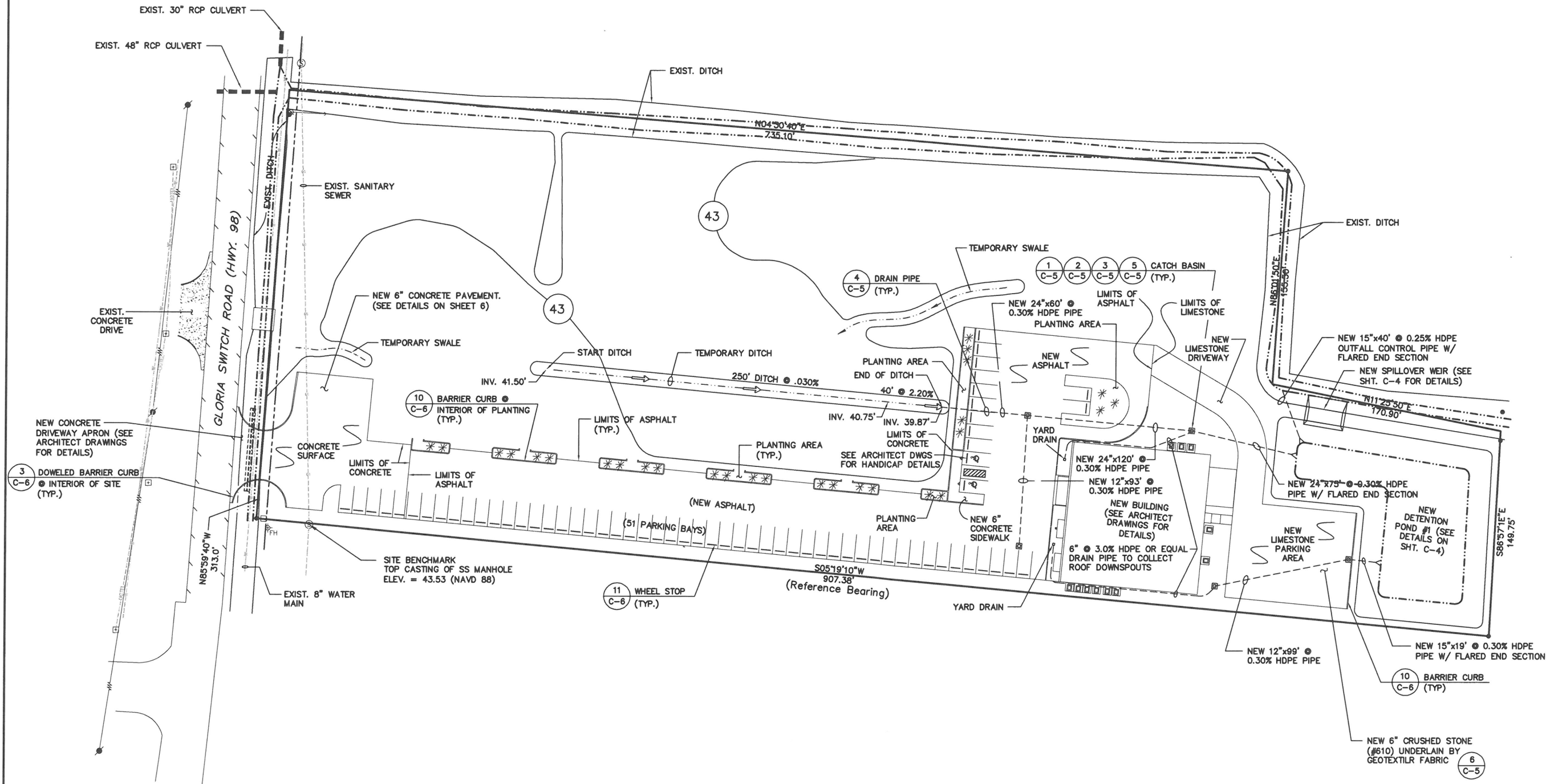
DRAWN BY:	HG
CHECKED BY:	G.S.G.
DATE DRAWN:	12/11/07
TEI JOB NO:	2107-001-1015

SHEET TITLE:
**TITLE SHEET,
VICINITY MAP,
AND GENERAL
INFORMATION**

SHEET NUMBER: REV. #

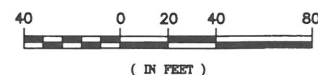
T-1

SECTION 1, T9S-R4E AND
SECTION 132, T8S-R4E
LAFAYETTE PARISH, LOUISIANA



- NOTES:**
- CONTRACTOR TO COMPLY WITH THE STORM WATER POLLUTION PREVENTION PLAN AS REQUIRED BY THE CITY OF CARENCRO.
 - CONTRACTOR TO SEED SITE WHERE NEEDED TO PREVENT EROSION OF NEW SOIL SLOPES.
 - CONTRACTOR TO VERIFY NEW PAVEMENT DRAINS TO TEMPORARY DITCH. (INSTALL SMALL SWALES WHERE NEEDED.)
 - REFER TO GEOTECH REPORT FOR ASPHALT AND CONCRETE PAVEMENT SECTIONS BY LA TESTING & INSPECTIONS, INC. (JAN 14, 2008).
 - DIVERSION SWALE INTENDED TO ROUTE ADJACENT PROPERTY STORMWATER RUNOFF AROUND POND AND INTO COULEE (SEE SHT C-4). CONTRACTOR TO ENSURE THAT DEVELOPMENT DOES NOT CREATE PONDING ANYWHERE ALONG EAST PROPERTY LINE. USE ADDITIONAL DRAINAGE DIVERSION SWALES AS NEEDED.

SITE PLAN
SCALE: 1" = 80'-0"



LEGEND

- 43 FINAL CONTOUR ELEVATION
- CATCH BASIN
- DRAIN PIPE

THESE DRAWINGS AND/OR THE ACCOMPANYING SPECIFICATION ARE THE EXCLUSIVE PROPERTY OF TOWER ENGINEERING, INC. AND THEIR USE AND PUBLICATION SHALL BE RESTRICTED TO THE ORIGINAL SITE FOR WHICH THEY ARE PREPARED. REUSE, REPRODUCTION OR PUBLICATION BY ANY METHOD, IN WHOLE OR IN PART, IS PROHIBITED EXCEPT BY WRITTEN PERMISSION FROM TOWER ENGINEERING, INC.

TOWER ENGINEERING, INC.

 119 Veterinarian Road
 Lafayette, LA 70507
 (337) 886-7176 Tel.
 (337) 896-6663 Fax
 1704 Justin Road
 Metairie, LA 70001
 (504) 556-6126 Tel.
 (504) 556-6125 Fax

REVISION			
NO.	DESCRIPTION	BY	DATE
△	PRELIM ISSUE	HG	12/11/07
△	FINAL ISSUE	HG	2/18/08
△			
△			
△			

SITE NUMBER:
2107-001-1015

SITE NAME:
200 GLORIA SWITCH PHASE I

SITE ADDRESS:
200 W. GLORIA SWITCH ROAD
CARENCRO, LA 70507

STAMP HERE:

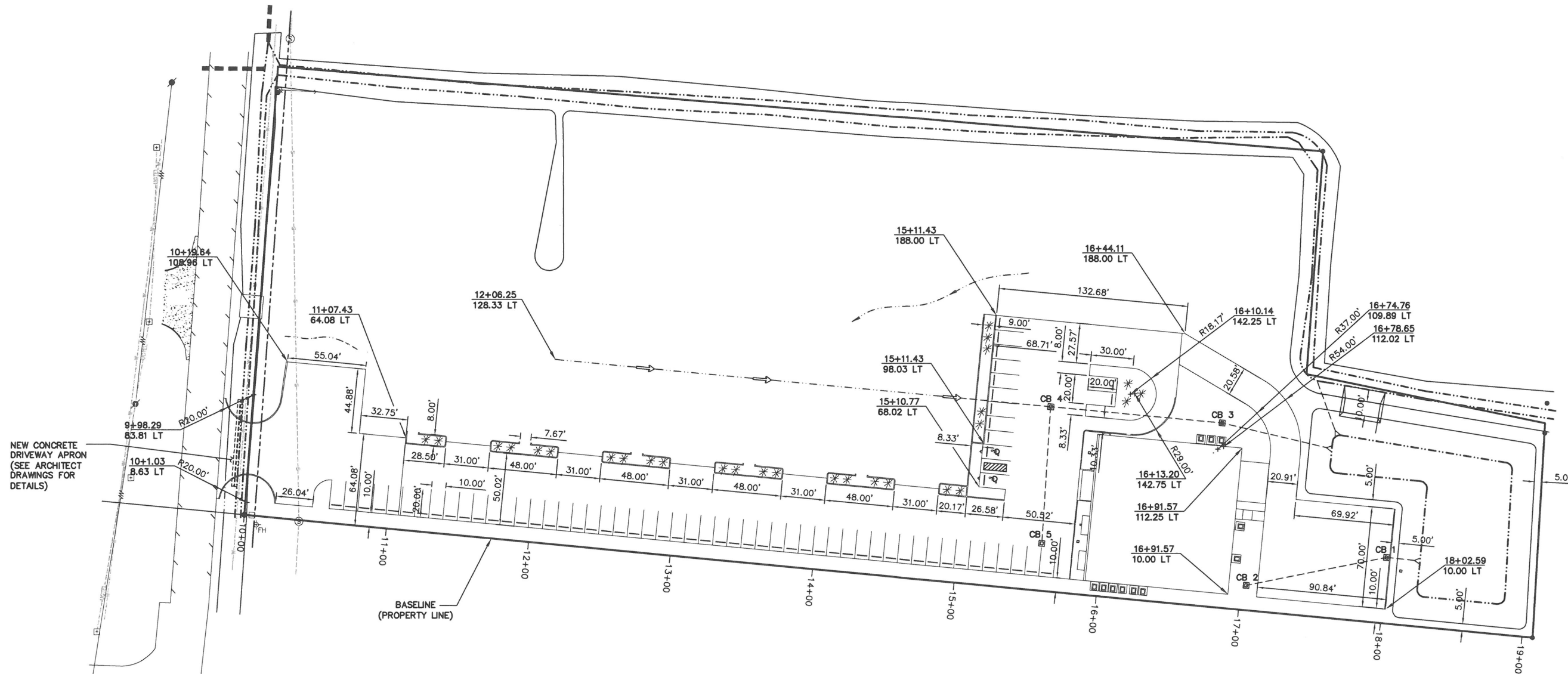
DRAWN BY:	HG
CHECKED BY:	G.S.G.
DATE DRAWN:	12/11/07
TEI JOB NO.:	2107-001-1015
SHEET TITLE:	

DRAWN BY:	HG
CHECKED BY:	G.S.G.
DATE DRAWN:	12/11/07
TEI JOB NO.:	2107-001-1015
SHEET TITLE:	

SITE PLAN

SHEET NUMBER: **C-1** REV. #

SECTION 1, T9S-R4E AND
SECTION 132, T8S-R4E
LAFAYETTE PARISH, LOUISIANA

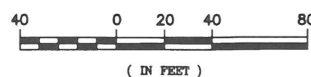


NEW CONCRETE DRIVEWAY APRON
(SEE ARCHITECT DRAWINGS FOR DETAILS)

BASELINE
(PROPERTY LINE)

CB No.	STATION	OFFSET
1	17+99.69	45.90' LT
2	17+03.92	17.30' LT
3	16+75.99	128.33' LT
4	15+55.61	128.33' LT
5	15+58.68	32.97' LT

SCALE: 1" = 80'-0"



LEGEND

17+00.00 STATION ALONG BASELINE
10.46 LT OFFSET FROM BASELINE

THESE DRAWINGS AND/OR THE ACCOMPANYING SPECIFICATION ARE THE EXCLUSIVE PROPERTY OF TOWER ENGINEERING, INC. AND THEIR USE AND PUBLICATION SHALL BE RESTRICTED TO THE ORIGINAL SITE FOR WHICH THEY ARE PREPARED. REUSE, REPRODUCTION OR PUBLICATION BY ANY METHOD, IN WHOLE OR IN PART, IS PROHIBITED EXCEPT BY WRITTEN PERMISSION FROM TOWER ENGINEERING, INC.

TOWER ENGINEERING, INC.

119 Veterinarian Road
Lafayette, LA 70507
(337) 886-7176 Tel.
(337) 896-6663 Fax
1704 Justin Road
Metairie, LA 70001
(504) 556-6126 Tel.
(504) 556-6125 Fax

NO.	DESCRIPTION	BY	DATE
△	PRELIM ISSUE	HG	12/11/07
△	FINAL ISSUE	HG	2/18/08
△			
△			
△			

SITE NUMBER:

2107-001-1015

SITE NAME:

**200 GLORIA SWITCH
PHASE I**

SITE ADDRESS:

200 W. GLORIA SWITCH ROAD
CARENCRO, LA 70507

STAMP HERE:

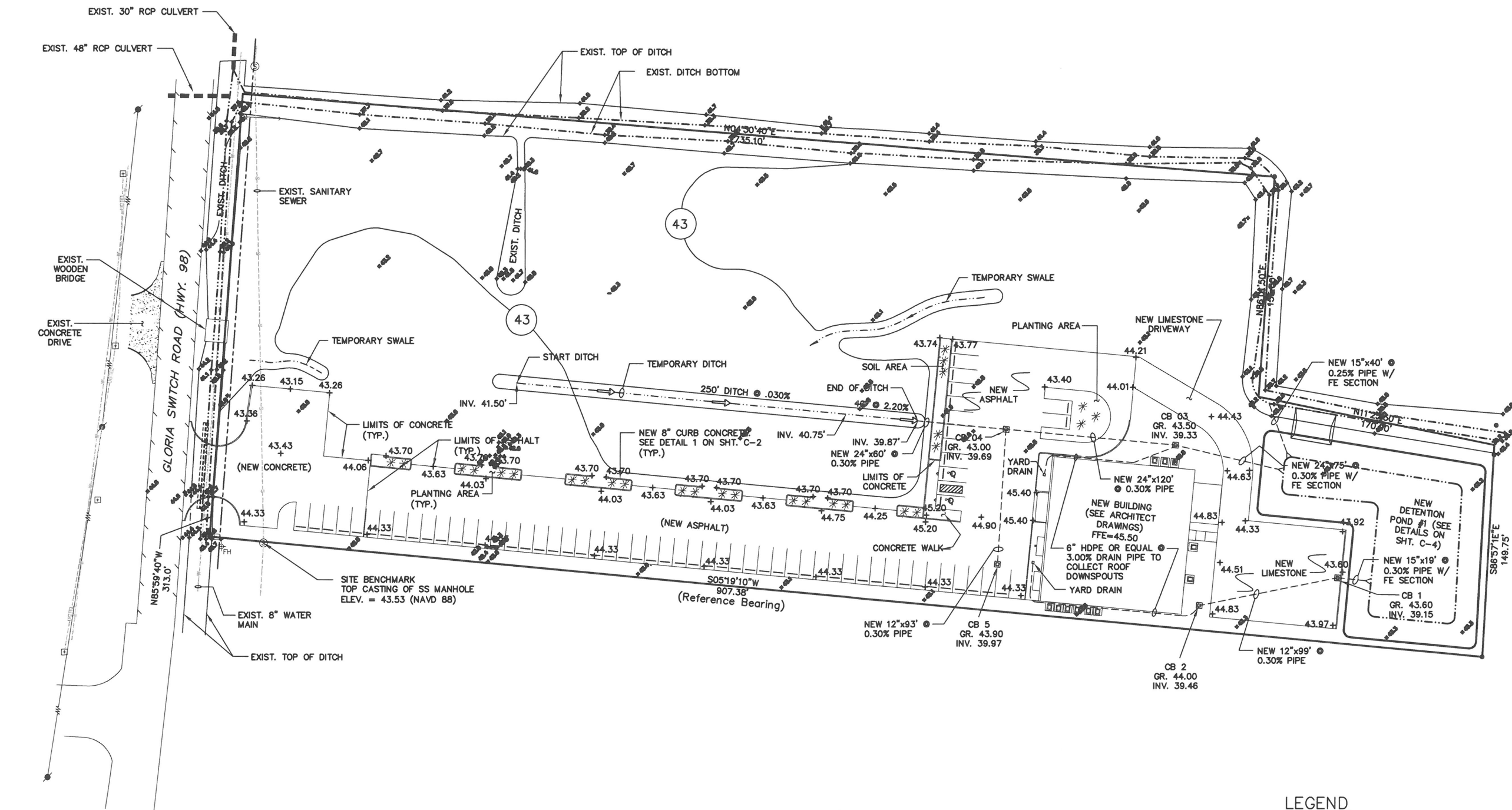
DRAWN BY:	HG
CHECKED BY:	G.S.G.
DATE DRAWN:	12/11/07
TEI JOB NO.:	2107-001-1015
SHEET TITLE:	

SITE LAYOUT

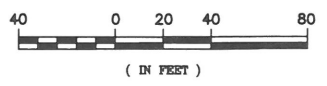
SHEET NUMBER: REV. #

C-2

SECTION 1, T9S-R4E AND
SECTION 132, T8S-R4E
LAFAYETTE PARISH, LOUISIANA



SITE PLAN
SCALE: 1" = 80'-0"



- NOTES:**
1. CONTRACTOR TO COMPLY WITH THE STORM WATER POLLUTION PREVENTION PLAN AS REQUIRED BY THE CITY OF CARENCRO.
 2. CONTRACTOR TO SEED SITE WHERE NEEDED TO PREVENT EROSION OF NEW SOIL SLOPES.
 3. CONTRACTOR TO VERIFY NEW PAVEMENT DRAINS TO TEMPORARY DITCH. (INSTALL SMALL SWALES WHERE NEEDED.)
 4. REFER TO GEOTECH REPORT FOR ASPHALT AND CONCRETE PAVEMENT SECTIONS BY LA TESTING & INSPECTIONS, INC. (JAN 14, 2008).

LEGEND

- 43 FINAL CONTOUR ELEVATION
- CATCH BASIN
- DRAIN PIPE
- + 43.70 PROPOSED PAVEMENT ELEVATION (GUTTERLINE OF CURB)
- x EXISTING GROUND ELEVATION

THESE DRAWINGS AND/OR THE ACCOMPANYING SPECIFICATION ARE THE EXCLUSIVE PROPERTY OF TOWER ENGINEERING, INC. AND THEIR USE AND PUBLICATION SHALL BE RESTRICTED TO THE ORIGINAL SITE FOR WHICH THEY ARE PREPARED. REUSE, REPRODUCTION OR PUBLICATION BY ANY METHOD, IN WHOLE OR IN PART, IS PROHIBITED EXCEPT BY WRITTEN PERMISSION FROM TOWER ENGINEERING, INC.

TOWER ENGINEERING, INC.
 119 Veterinarian Road
 Lafayette, LA 70507
 (337) 886-7176 Tel.
 (337) 896-6663 Fax
 1704 Justin Road
 Metairie, LA 70001
 (504) 556-6126 Tel.
 (504) 556-6125 Fax

REVISION			
NO.	DESCRIPTION	BY	DATE
△	PRELIM ISSUE	HG	12/11/07
△	FINAL ISSUE	HG	2/18/08
△			
△			
△			

SITE NUMBER:
2107-001-1015

SITE NAME:
**200 GLORIA SWITCH
PHASE I**

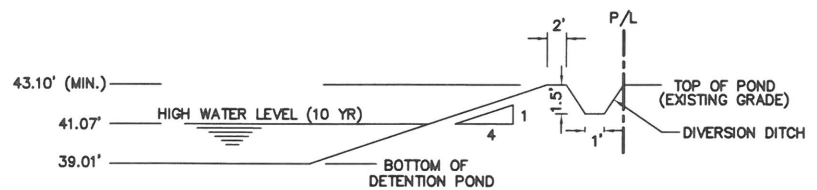
SITE ADDRESS:
200 W. GLORIA SWITCH ROAD
CARENCRO, LA 70507

STAMP HERE:

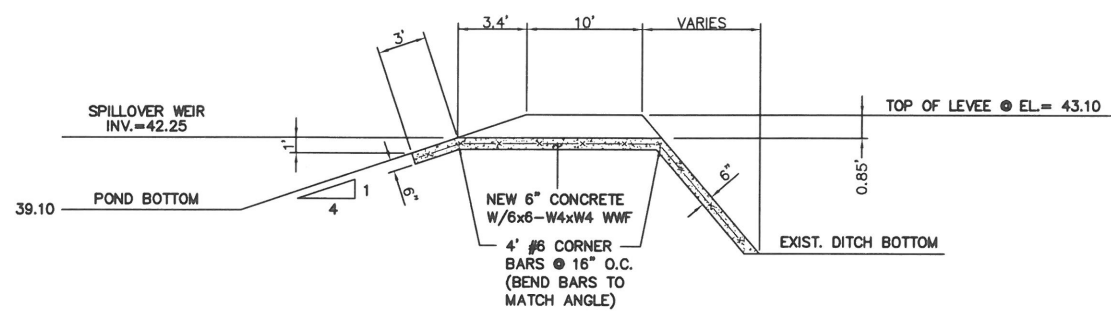
DRAWN BY:	HG
CHECKED BY:	G.S.G.
DATE DRAWN:	12/11/07
TEI JOB NO.:	2107-001-1015
SHEET TITLE:	

GRADING PLAN

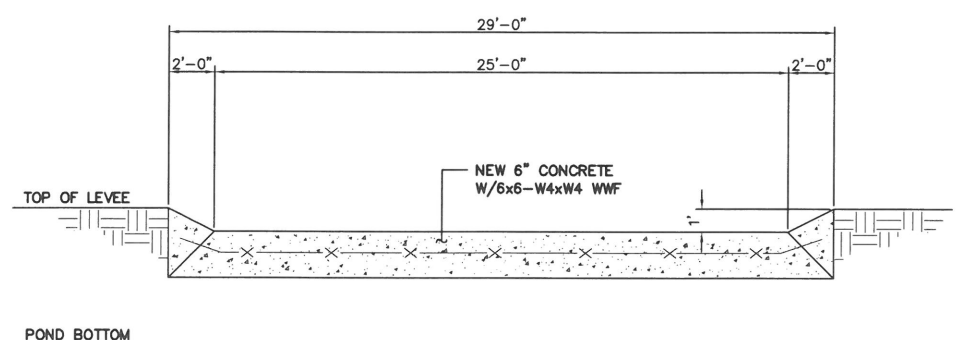
SHEET NUMBER: C-3	REV. #
-----------------------------	--------



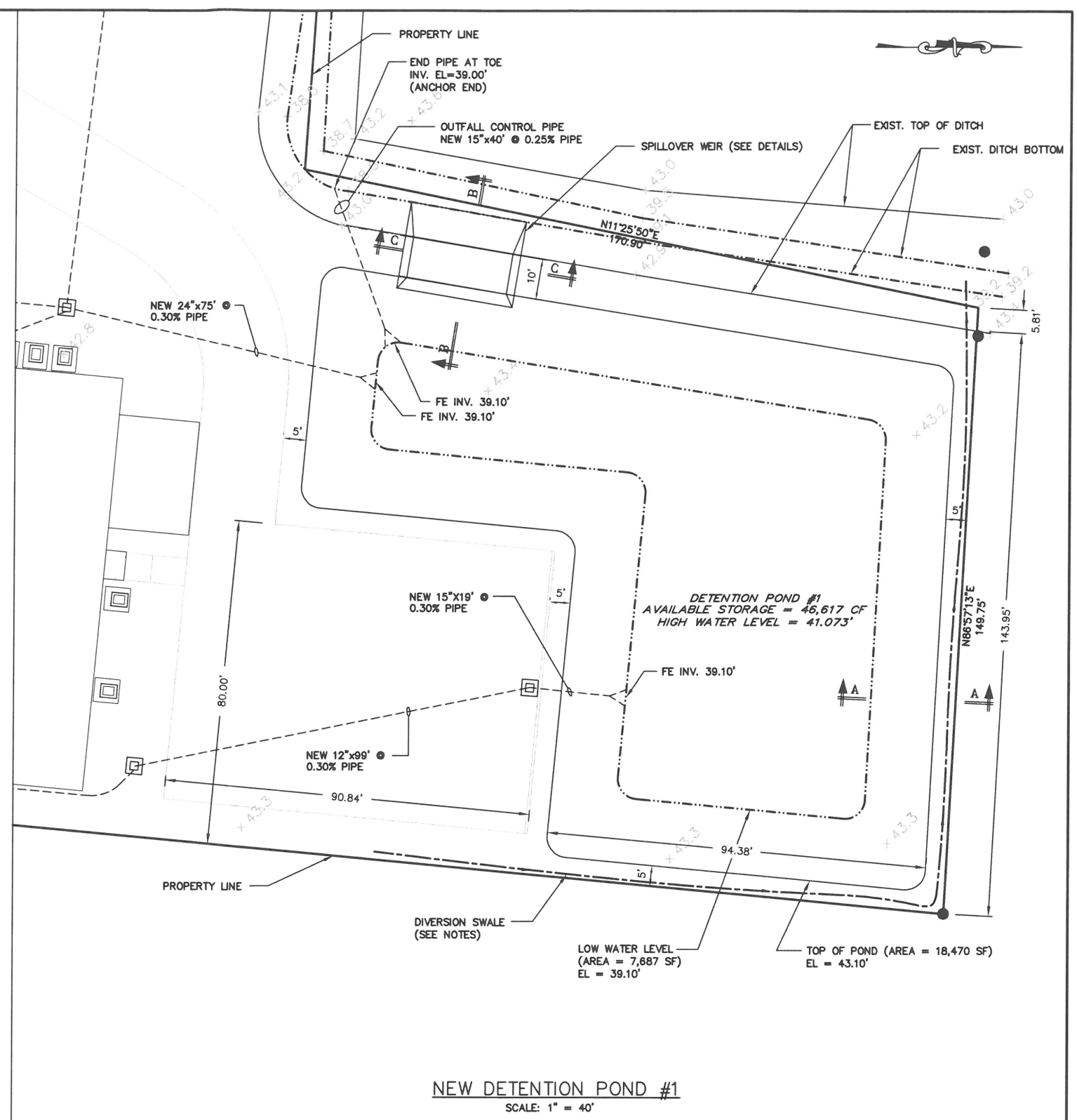
SECTION A-A
SCALE: NTS



SECTION B-B
SCALE: NTS



SECTION C-C
SCALE: NTS



NEW DETENTION POND #1
SCALE: 1" = 40'

GENERAL NOTES:

1. SEED POND SLOPES WITH STANDARD CONTRACTOR MIX TO PREVENT EROSION.
2. FLARED END SECTION TO BEGIN AT TOE OF SLOPE. BACKFILL AROUND SECTION AS NECESSARY FOR SMOOTH TRANSITION.
3. ANCHOR PIPE ENDS AS RECOMMENDED BY MANUFACTURER.
4. DIVERSION SWALE INTENDED TO ROUTE ADJACENT PROPERTY STORMWATER RUNOFF AROUND POND AND INTO COULEE. CONTRACTOR TO ENSURE THAT DEVELOPMENT DOES NOT CREATE PONDING ANYWHERE ALONG EAST PROPERTY LINE.

LEGEND

- ☐ — CATCH BASIN
- DRAIN PIPE
- + 43.70 PROPOSED PAVEMENT ELEVATION (GUTTERLINE OF CURB)
- ⚓ EXISTING GROUND ELEVATION

THESE DRAWINGS AND/OR THE ACCOMPANYING SPECIFICATION ARE THE EXCLUSIVE PROPERTY OF TOWER ENGINEERING, INC. AND THEIR USE AND PUBLICATION SHALL BE RESTRICTED TO THE ORIGINAL SITE FOR WHICH THEY ARE PREPARED. REUSE, REPRODUCTION OR PUBLICATION BY ANY METHOD, IN WHOLE OR IN PART, IS PROHIBITED EXCEPT BY WRITTEN PERMISSION FROM TOWER ENGINEERING, INC.

TOWER ENGINEERING, INC.
 119 Veterinarian Road
 Lafayette, LA 70507
 (337) 886-7176 Tel.
 (337) 896-6663 Fax

1704 Justin Road
 Metairie, LA 70001
 (504) 556-6126 Tel.
 (504) 556-6125 Fax

REVISION			
NO.	DESCRIPTION	BY	DATE
▲	PRELIM ISSUE	HG	12/11/07
▲	FINAL ISSUE	HG	2/18/08
▲			
▲			
▲			

SITE NUMBER:
2107-001-1015

SITE NAME:
200 GLORIA SWITCH PHASE I

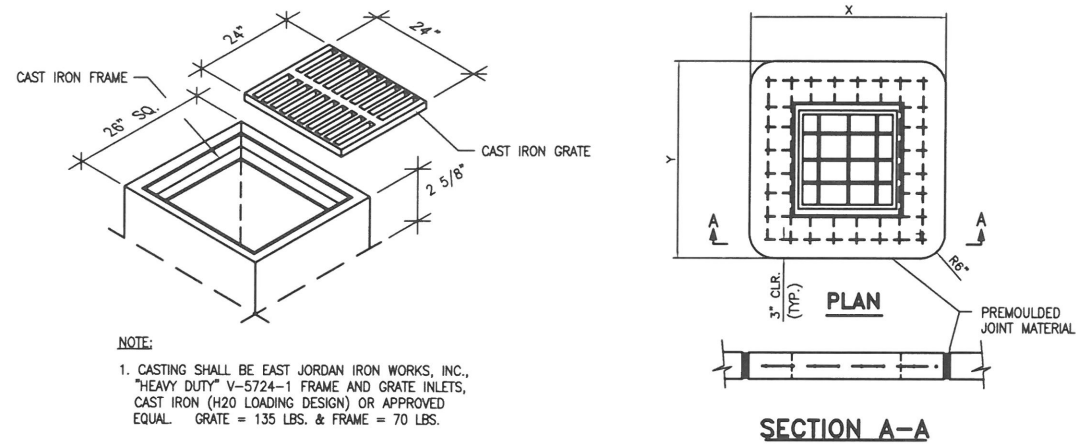
SITE ADDRESS:
200 W. GLORIA SWITCH ROAD
CARENCRO, LA 70507

STAMP HERE:

DRAWN BY:	HG
CHECKED BY:	G.S.G.
DATE DRAWN:	12/11/07
TEI JOB NO:	2107-001-1015
SHEET TITLE:	

ENLARGED DETENTION POND

SHEET NUMBER: C-4	REV. #
-----------------------------	--------



NOTE:
1. CASTING SHALL BE EAST JORDAN IRON WORKS, INC., "HEAVY DUTY" V-5724-1 FRAME AND GRATE INLETS, CAST IRON (H2O LOADING DESIGN) OR APPROVED EQUAL. GRATE = 135 LBS. & FRAME = 70 LBS.

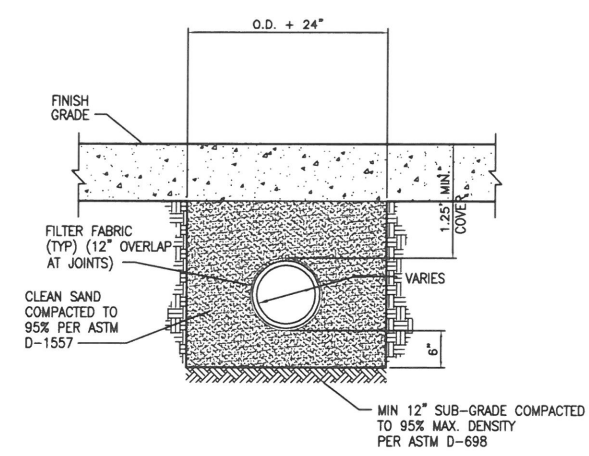
1 24"x24" DROP INLET FRAME & GRATE
N.T.S.

2 DROP INLET AND CONCRETE ISOLATION PAD
N.T.S.

- CATCH BASIN NOTES:**
1. CONCRETE STRENGTH SHALL BE 4,000 PSI (MIN.) AT 28 DAYS.
 2. WHEN BOX IS 7'-0" OR LESS IN HEIGHT, WALLS ARE TO BE 8" THICK. WHEN BOX HEIGHT IS GREATER THAN 7'-0" BUT LESS 12'-0", SEE DETAIL "A".
 3. ALL MASONRY TO BE LAID WITH RUNNING BOND & HEADER COURSE (EVERY FOURTH LAYER).
 4. ALL WALLS TO BE PLASTERED INSIDE & OUTSIDE (3/8" MINIMUM THICKNESS).
 5. ALL GRATES & FRAMES SHALL BE EAST JORDAN IRON WORKS, INC., DENHAM SPRINGS, LA., (1-800-MANHOLE) OR APPROVED EQUAL.
 6. USE STEPS FROM EAST JORDAN IRON WORKS, INC., DENHAM SPRINGS, LA., (1-800-MANHOLE) OR APPROVED EQUAL THAT CONFORM TO ASTM C-478, ASTM D-4101-82 AND ASTM A-615.

C.B. #	X	Y	T	W
1 - 2	4'-0"	4'-0"	12 7/8"	2'-8"

3 CATCH BASIN NOTES



4 TRENCH FOR HDPE AND PVC DRAIN PIPE (TYP.)
N.T.S.

THESE DRAWINGS AND/OR THE ACCOMPANYING SPECIFICATION ARE THE EXCLUSIVE PROPERTY OF TOWER ENGINEERING, INC. AND THEIR USE AND PUBLICATION SHALL BE RESTRICTED TO THE ORIGINAL SITE FOR WHICH THEY ARE PREPARED. REUSE, REPRODUCTION OR PUBLICATION BY ANY METHOD, IN WHOLE OR IN PART, IS PROHIBITED EXCEPT BY WRITTEN PERMISSION FROM TOWER ENGINEERING, INC.

TOWER ENGINEERING, INC.
119 Veterinarian Road
Lafayette, LA 70507
(337) 886-7176 Tel.
(337) 896-6663 Fax
1704 Justin Road
Metairie, LA 70001
(504) 556-6126 Tel.
(504) 556-6125 Fax

REVISION

NO.	DESCRIPTION	BY	DATE
▲	PRELIM ISSUE	HG	12/11/07
▲	FINAL ISSUE	HG	2/18/08
▲			
▲			
▲			

SITE NUMBER:
2107-001-1015

SITE NAME:
200 GLORIA SWITCH PHASE I

SITE ADDRESS:
200 W. GLORIA SWITCH ROAD
CARENCRO, LA 70507

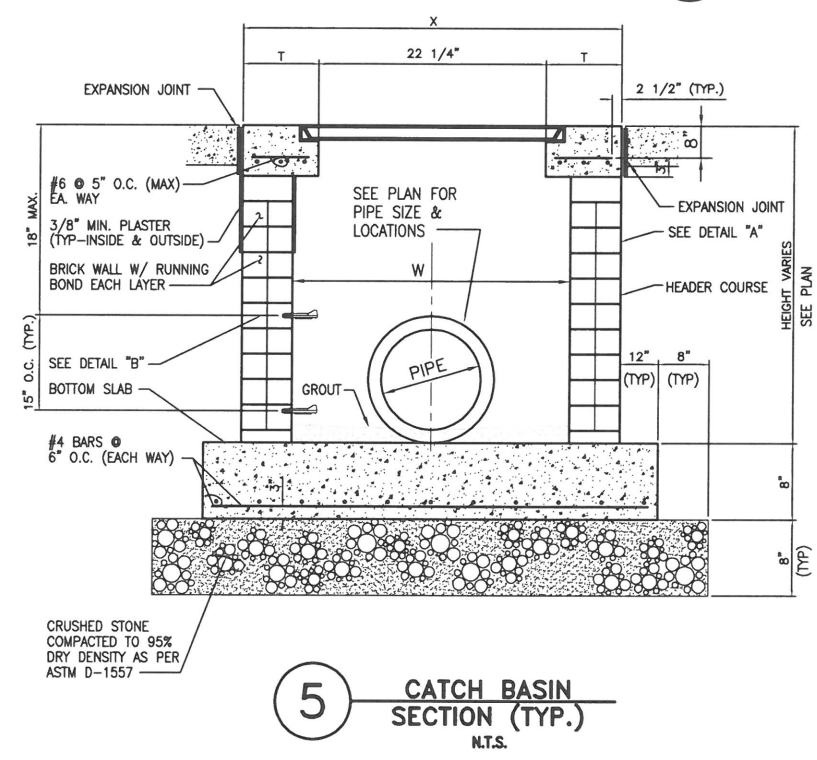
STAMP HERE:

DRAWN BY:	HG
CHECKED BY:	G.S.G.
DATE DRAWN:	12/11/07
TEI JOB NO:	2107-001-1015

GENERAL DETAILS

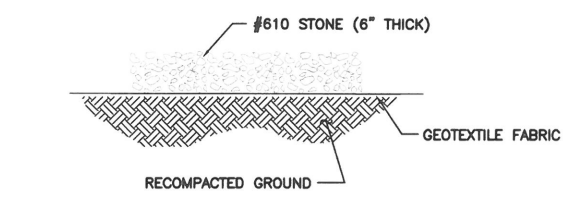
SHEET NUMBER:
C-5

REV. #

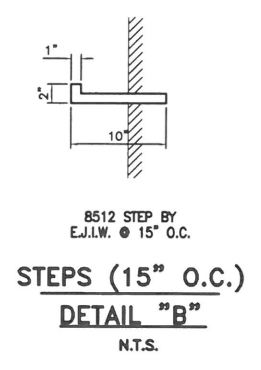


5 CATCH BASIN SECTION (TYP.)
N.T.S.

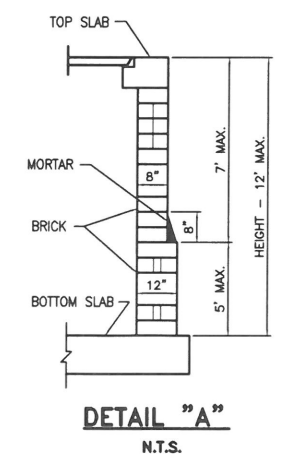
- GENERAL NOTES:
1. H.D.P.E. PIPE SHALL BE N-12 PROLINK ULTRA BY ADVANCE DRAINAGE SYSTEMS, INC., 109 CHERBOURG CIRCLE, LAFAYETTE, LA. 70508, CONTACT MIKE BUCALO (800) 215-6844 EXT. 313, OR APPROVED EQUAL.



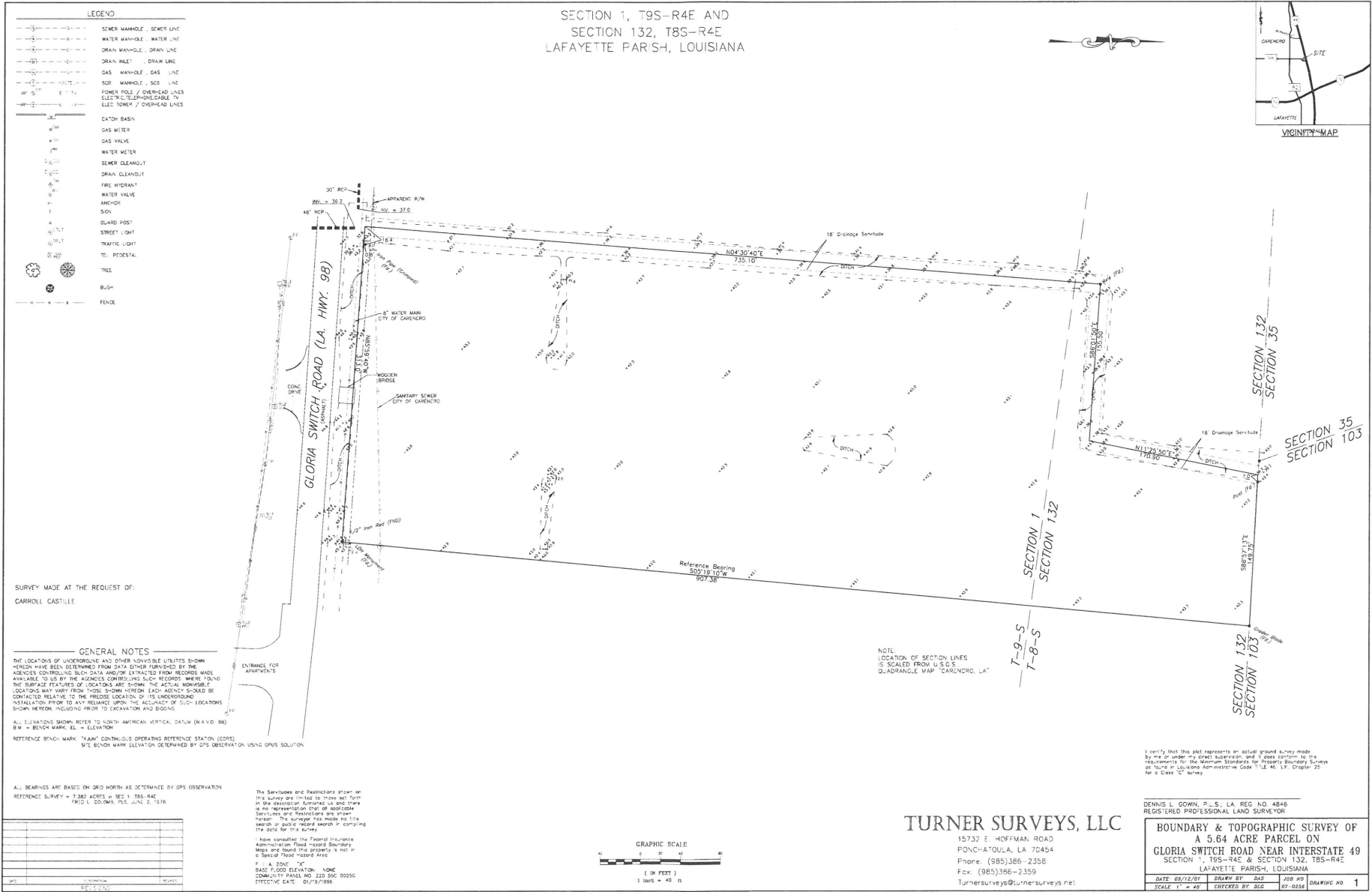
6 CRUSHED STONE PARKING DETAIL
N.T.S.



8512 STEP BY E.J.L.W. @ 15" O.C.
STEPS (15" O.C.)
DETAIL "B"
N.T.S.



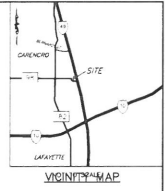
DETAIL "A"
N.T.S.



LEGEND

---	SEWER MANHOLE / SEWER LINE
---	WATER MANHOLE / WATER LINE
---	DRAIN MANHOLE / DRAIN LINE
---	DRAIN RAKE / DRAIN LINE
---	GAS MANHOLE / GAS LINE
---	SOB MANHOLE / SOB LINE
---	POWER POLE / OVERHEAD LINES
---	ELECTRIC TELEPHONE CABLE / TV
---	ELEC. TOWER / OVERHEAD LINES
---	CATCH BASIN
---	GAS METER
---	GAS VALVE
---	WATER METER
---	SEWER CLEANOUT
---	DRAIN CLEANOUT
---	FIRE HYDRANT
---	WATER VALVE
---	ANCHOR
---	SON
---	GUARD POST
---	STREET LIGHT
---	TRAFFIC LIGHT
---	TEL. PEDESTAL
---	TREE
---	BUSH
---	FENCE

SECTION 1, T9S-R4E AND
SECTION 132, T8S-R4E
LAFAYETTE PARISH, LOUISIANA



SURVEY MADE AT THE REQUEST OF
CARROLL CASTLE

GENERAL NOTES
THE LOCATIONS OF UNDERGROUND AND OTHER INVISIBLE UTILITIES SHOWN HEREON HAVE BEEN DETERMINED FROM DATA EITHER FURNISHED BY THE AGENCIES CONTROLLING SUCH DATA AND/OR EXTRACTED FROM RECORDS MADE AVAILABLE TO US BY THE AGENCIES CONTROLLING SUCH RECORDS. WHERE FOUND, THE SURFACE FEATURES OF LOCATIONS ARE SHOWN. THE ACTUAL WORKABLE LOCATIONS MAY VARY FROM THOSE SHOWN HEREON. EACH AGENCY SHOULD BE CONTACTED PRIOR TO ANY RELIANCE UPON THE ACCURACY OF SUCH LOCATIONS SHOWN HEREON, INCLUDING PRIOR TO EXCAVATION AND DRILLING.

ALL ELEVATIONS SHOWN REFER TO NORTH AMERICAN VERTICAL DATUM (N.A.V.D. 88)
B.M. = BENCH MARK; E.L. = ELEVATION
REFERENCE BENCH MARK "MARK" CONTAINS OPERATING REFERENCE STATION (CORE).
SITE BENCH MARK ELEVATION DETERMINED BY GPS OBSERVATION USING GPS SOLUTION.

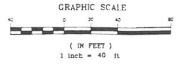
ALL BEARINGS ARE BASED ON GRID NORTH AS DETERMINED BY GPS OBSERVATION
REFERENCE SURVEY = 7.387 ACRES ±, SEC. 1, T8S-R4E, R132E, CO. 10, PAR. 13, LA. REG. NO. 4846

DATE	DESCRIPTION	BY	REVISION
09/12/07	BOUNDARY & TOPOGRAPHIC SURVEY	DAS	1

The Surveyors and Registered show on this survey are limited to those set forth in the Declaration of Surveyors and there is no representation that all recorded surveys, maps and plat records are shown hereon. The surveyor has made no search of public record search in compiling the data for this survey.

I have consulted the Federal Insurance Administration Flood Hazard Boundary Maps and found the property is not in a Special Flood Hazard Area.

T. A. 120th 7th
BASE ELEVATION: NONE
COMMUNITY PANEL NO. 210 SAC 00250
EFFECTIVE DATE: 01/19/1996



NOTE: LOCATION OF SECTION LINES IS SCALED FROM U.S.C.S. QUADRANGLE MAP "CARENCRO, LA"

TURNER SURVEYS, LLC

15732 E. HOFFMAN ROAD
PONDICATOULA, LA 70454
Phone: (985)386-2358
Fax: (985)386-2359
Turnersurveys@turnersurveys.net

I certify that this plat represents an actual ground survey made by me or under my direct supervision and I deem conform to the requirements for the Minimum Standards for Property Boundary Surveys set forth in Louisiana Administrative Code Title 46, Part Chapter 25 for a Class "C" survey.

DENNIS L. GOWIN, P.L.S., LA. REG. NO. 4846
REGISTERED PROFESSIONAL LAND SURVEYOR

BOUNDARY & TOPOGRAPHIC SURVEY OF A 5.64 ACRE PARCEL ON GLORIA SWITCH ROAD NEAR INTERSTATE 49

SECTION 1, T9S-R4E & SECTION 132, T8S-R4E
LAFAYETTE PARISH, LOUISIANA

DATE: 09/12/07	DRAWN BY: DAS	JOB NO: 07-0256	DRAWING NO: 1
SCALE: 1" = 40'	CHECKED BY: DAS		