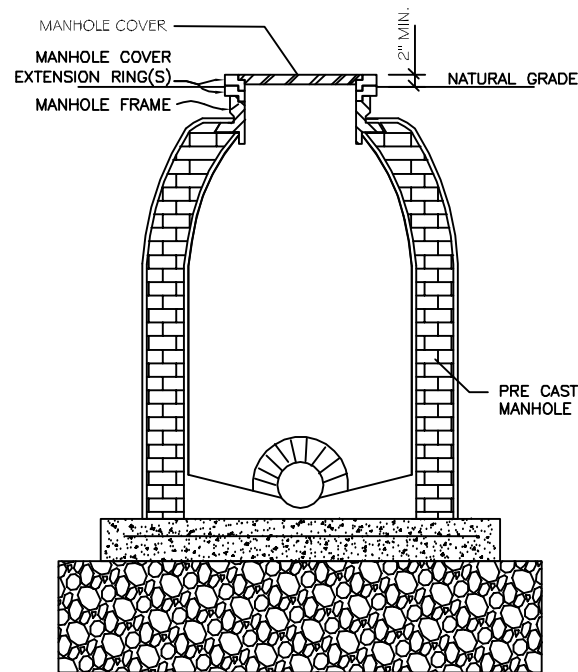
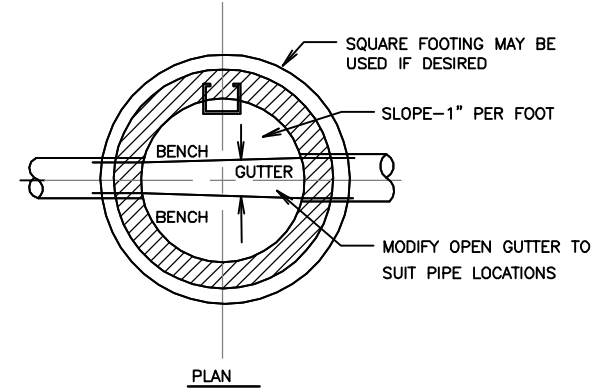


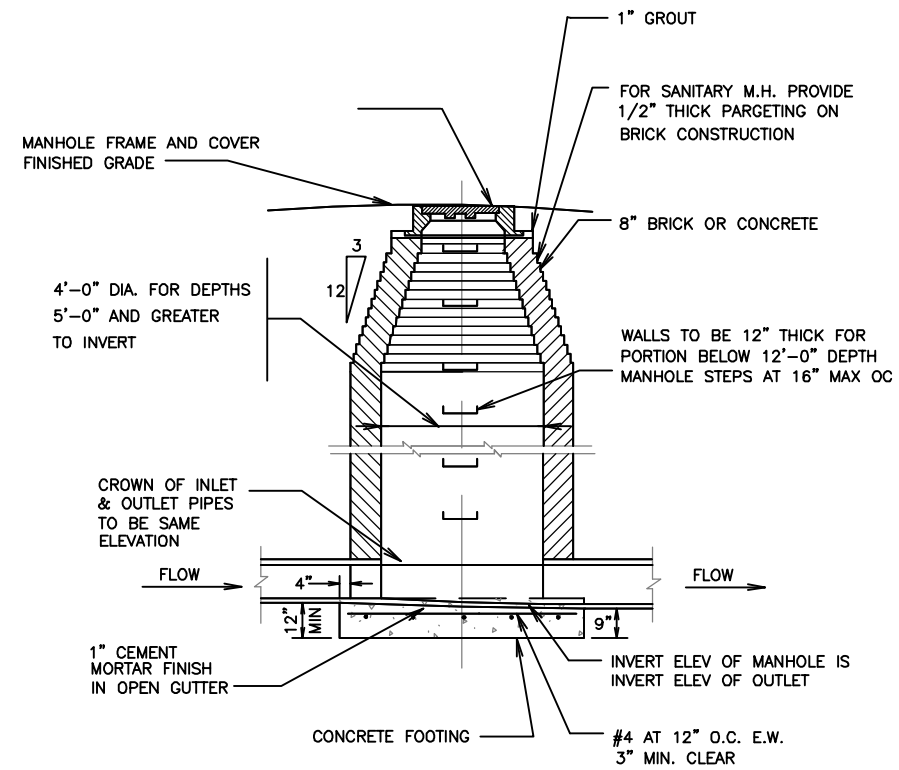
DROP SEWER MANHOLE TIE IN (TYP)



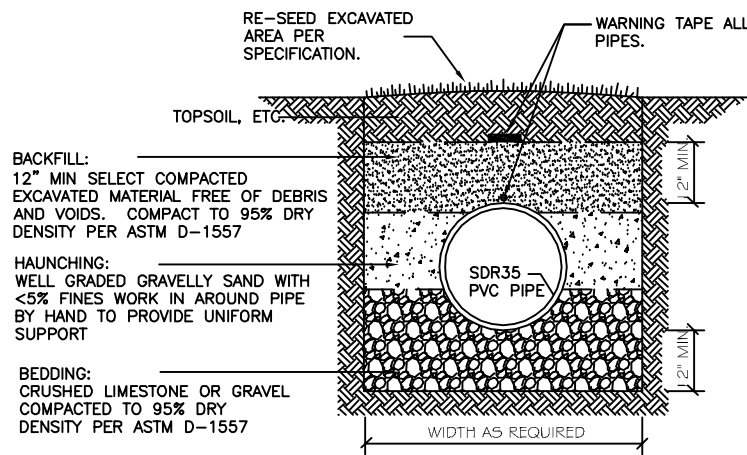
COVER EXTENSION RING(S) (TYP)



PLAN

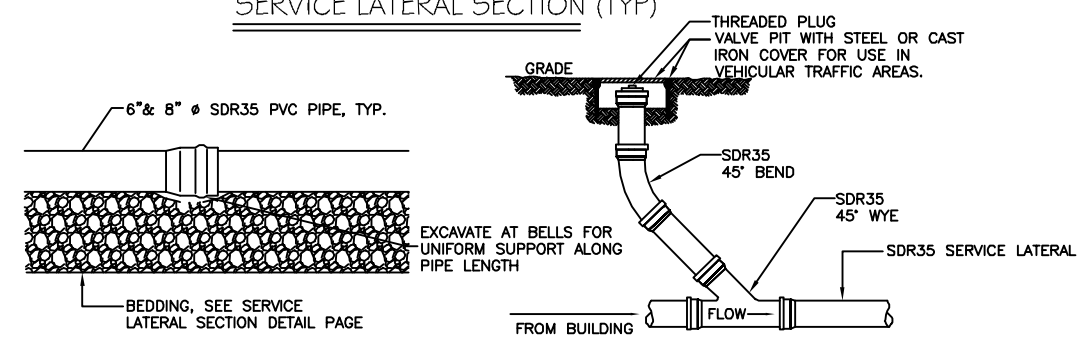


SECTION  
MANHOLE DETAILS (TYP)



NOTE:  
CONTRACTOR SHALL PROVIDE SHEETING AND BRACING TO CONTROL THE WIDTH OF EXCAVATED TRENCH AND TO SAFEGUARD THE INTEGRITY OF THE SEWER TRENCH. CONTRACTOR SHALL PROVIDE SUFFICIENT SHEETING AND BRACING TO PROVIDE SAFE WORKING CONDITIONS FOR HIS WORKMEN.

SERVICE LATERAL SECTION (TYP)



SERVICE LATERAL DETAIL

SEWER CLEANOUT DETAIL



DRAINAGE ANALYSIS FOR THE  
**EL PASO MEXICAN RESTAURANT**  
200 WEST GLORIA SWITCH ROAD  
CARENCRO, LA 70520

SITE UTILITY DETAILS

**C2.1**

JOB No:	2269	DATE:	4/2/2020
DRAWN BY:	DD	CHECKED BY:	BAM



551 Old Spanish Trail, Slidell, La 70458 (985) 649-5832  
dammoneengineering.com  
info@dammoneengineering.com  
PHONE: 985-649-5832  
CHIEF ENGINEER: BRIAN A. MISTICH, P.E.  
554 OLD SPANISH TRAIL  
SLIDELL, LA 70458