

DOOR SCHEDULE

MK	WIDTH	HEIGHT	THK	DOOR MAT	FRAME MAT	FR	REMARKS
101	3'-0"	6'-8"	1-3/4"	METAL	STEEL	NR	WITH DOOR CLOSURE
102	3'-0"	6'-8"	1-3/4"	METAL	STEEL	NR	
103	3'-0"	6'-8"	1-3/4"	METAL	STEEL	45 MIN	WITH DOOR CLOSURE
104	3'-0"	6'-8"	1-3/4"	METAL	STEEL	45 MIN	EXISTING DOOR WITH CLOSURE
105	3'-0"	6'-8"	1-3/4"	METAL	STEEL	NR	EXISTING DOOR WITH CLOSURE
106	2'-0"	6'-8"	1-3/4"	METAL	STEEL	NR	NEW WATER HEATER CLOSET DOOR

NOTE:
DOORS IN A REQUIRED MEANS OF EGRESS SERVING ANY ASSEMBLY AREA HAVING AN OCCUPANT LOAD OF 50 OR MORE PERSONS SHALL NOT BE EQUIPPED WITH A LATCH OR LOCK OTHER THAN PANIC HARDWARE OR FIRE EXIT HARDWARE.

KITCHEN FINISH SCHEDULE

FLOOR: EPOXY/URETHANE, NON SLIP FINISH.
BASE: 4" EPOXY/URETHANE
WALLS: FIBER-REINFORCED PLASTIC (FRP) OVER GYPSUM BOARD
CEILING: 2X2 ARMSTRONG GEORGIAN OR USG 2X2 CLEAN-ROOM PANELS. INSTALL IN HOT DIPPED GALVANIZED CEILING 15/16" GRID ALL TILES SQUARE EDGE.
CEILING HEIGHT: 9'-0"

GA FILE NO. WP 3660 GENERIC
GYPSUM WALLBOARD, WOOD STUDS

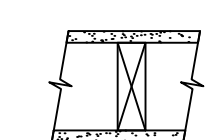
ONE LAYER 5/8" TYPE X GYPSUM WALLBOARD APPLIED AT RIGHT ANGLES TO EACH SIDE OF 2X6 WOOD STUDS 16" O.C. WITH 2 1/4" TYPE S OR W DRYWALL SCREWS 7" O.C.

VERTICAL JOINTS STAGGERED 16" O.C., HORIZONTAL JOINTS STAGGERED 24" O.C. ON OPPOSITE SIDES.

TESTED AT 5,156 LBS PER STUD OR 100 PERCENT OF DESIGN LOAD. (LOAD-BEARING)

1 HR RATED WALL
SCALE: NTS

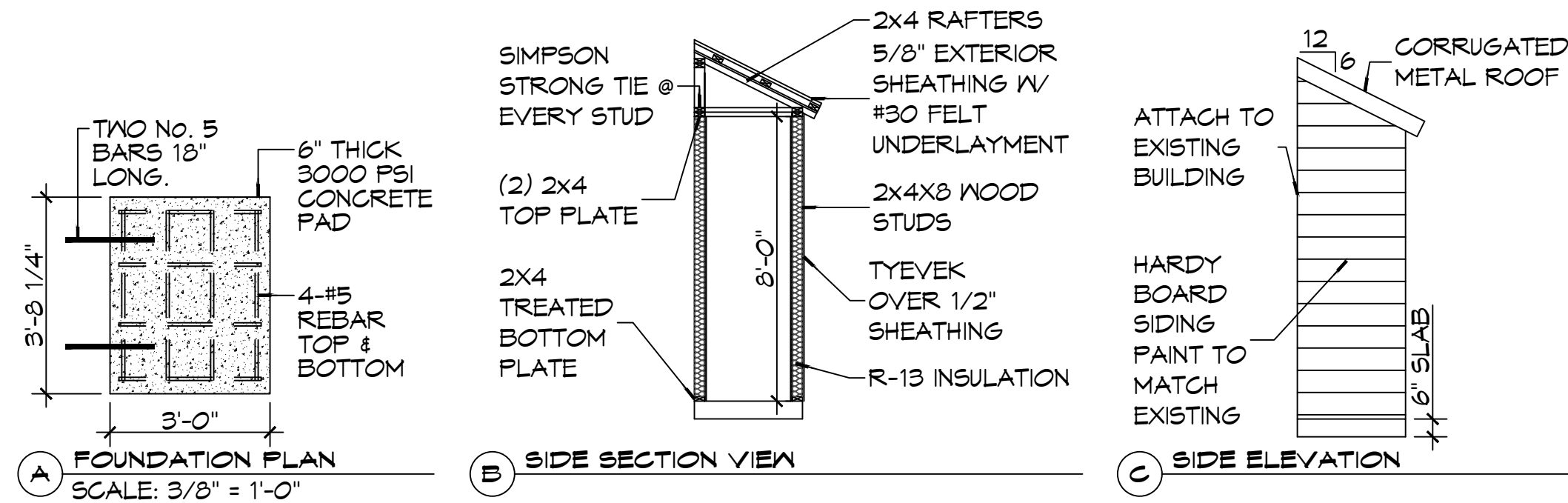
1 HOUR FIRE



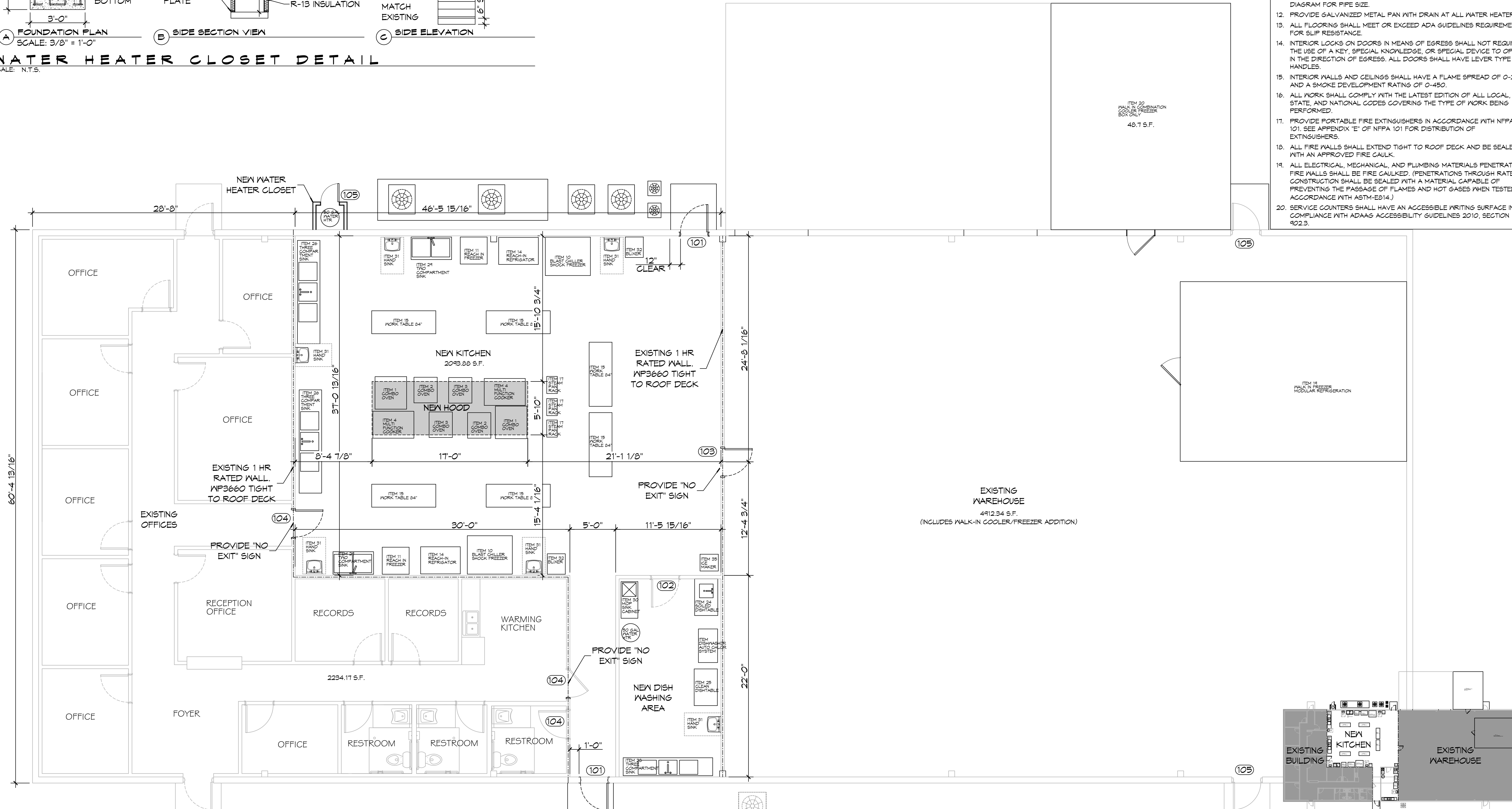
THICKNESS: 6 3/4"
APPROX. WEIGHT: 8 PSF
FIRE TEST: ITS J99-22441.2, 10-99

GENERAL NOTES

- INSULATION AND INSULATION ASSEMBLIES SHALL MEET THE REQUIREMENTS OF IBC 2012 SECTION 714.
 - CONCEALED INSULATION SHALL HAVE A FLAME SPREAD OF 0-25 AND SMOKE DEVELOPED INDEX OF 0-450, EXCEPT THAT IN COMBUSTIBLE (WOOD FRAME) CONSTRUCTION.
 - FACING SHALL COMPLY WITH IBC 2012.
- ALL MATERIALS SHALL BE NEW AND UL LISTED.
- NO WORK SHALL BE CONCEALED UNTIL APPROVED BY LOCAL INSPECTORS.
- CONSTRUCTION SHALL COMPLY WITH ALL PARISH, STATE, AND LOCAL CODES.
- CONTRACTOR TO GUARANTEE WORK FOR ONE YEAR FROM DATE OF SUBSTANTIAL COMPLETION.
- CONTRACTOR SHALL FURNISH WATER AND POWER FROM EXISTING SOURCES.
- EXTERIOR CAULKING SHALL BE THOKAL CAULK.
- PAINT SHALL BE SHERWIN WILLIAMS OR EQUIVALENT AND APPROPRIATE FOR THE SUBSTRATE TO WHICH IT IS APPLIED AS RECOMMENDED BY PAINT MANUFACTURER. ALL WORK TO RECEIVE THREE COATS (ONE PRIMER COAT, TWO FINISH COATS) UNLESS OTHERWISE RECOMMENDED BY PAINT MANUFACTURER. COLORS TO BE SELECTED BY OWNER.
- PROVIDE CLEANUP ON A REGULAR BASIS. NO TRASH SHALL BE STORED INSIDE BUILDING PREMISES.
- ALL BATT INSULATION SHALL HAVE A CLASS "A" (0-25) FLAME SPREAD IN COMPLIANCE WITH IBC 2012.
- USE 2X6 STUDS, OR TWO 2X4 STAGGERED STUDS WITH 2X6 SILL PLATE AT ALL WALLS WHERE 4" PIPE IS INDICATED. SEE PLUMBING RISER DIAGRAM FOR PIPE SIZE.
- PROVIDE GALVANIZED METAL PAN WITH DRAIN AT ALL WATER HEATERS.
- ALL FLOORING SHALL MEET OR EXCEED ADA GUIDELINES REQUIREMENTS FOR SLIP RESISTANCE.
- INTERIOR LOCKS ON DOORS IN MEANS OF EGRESS SHALL NOT REQUIRE THE USE OF A KEY, SPECIAL KNOWLEDGE, OR SPECIAL DEVICE TO OPEN IN THE DIRECTION OF EGRESS. ALL DOORS SHALL HAVE LEVER TYPE HANDLES.
- INTERIOR WALLS AND CEILING SHALL HAVE A FLAME SPREAD OF 0-200 AND A SMOKE DEVELOPMENT RATING OF 0-450.
- ALL WORK SHALL COMPLY WITH THE LATEST EDITION OF ALL LOCAL, STATE, AND NATIONAL CODES COVERING THE TYPE OF WORK BEING PERFORMED.
- PROVIDE PORTABLE FIRE EXTINGUISHERS IN ACCORDANCE WITH NFPA 101. SEE APPENDIX "E" OF NFPA 101 FOR DISTRIBUTION OF EXTINGUISHERS.
- ALL FIRE WALLS SHALL EXTEND TIGHT TO ROOF DECK AND BE SEALED WITH AN APPROVED FIRE CAULK.
- ALL ELECTRICAL, MECHANICAL, AND PLUMBING MATERIALS PENETRATING FIRE WALLS SHALL BE FIRE CAULKED. (PENETRATIONS THROUGH RATED CONSTRUCTION SHALL BE SEALED WITH A MATERIAL CAPABLE OF PREVENTING THE PASSAGE OF FLAMES AND HOT GASES WHEN TESTED IN ACCORDANCE WITH ASTM-E814.)
- SERVICE COUNTERS SHALL HAVE AN ACCESSIBLE WRITING SURFACE IN COMPLIANCE WITH ADAAG ACCESSIBILITY GUIDELINES 2010, SECTION 902.3.



WATER HEATER CLOSET DETAIL
SCALE: N.T.S.



3 FLOOR PLAN
SCALE: 3/16" = 1'-0"

KEY PLAN
SCALE: 1/32" = 1'-0"

DAMMON ENGINEERING, INC.
LOUISIANA & MISSISSIPPI
www.dammonengineering.com
info@dammonengineering.com
PH: 985.649.8832
Chief Engineer: Brian Mstich, PE
554 Old Spanish Trail
Slidell, LA 70458

#	DESCRIPTION	DATE

SEAL:
P:\Stamp\Brian La Stamp Professional.jpg

NEW FOOD DISTRIBUTION
HEALTHY SCHOOL
FOOD COLLABORATIVE
62271 HWY 11
PEARL RIVER, LOUISIANA 70482
JOB No: 2444 | DATE: 06-22-2022
DRAWN BY: JMS | CHECKED BY: C&D

SHEET TITLE:
FLOOR PLAN
DRAWING NUMBER:
A101
SHEET No: 3 of 4