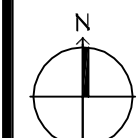
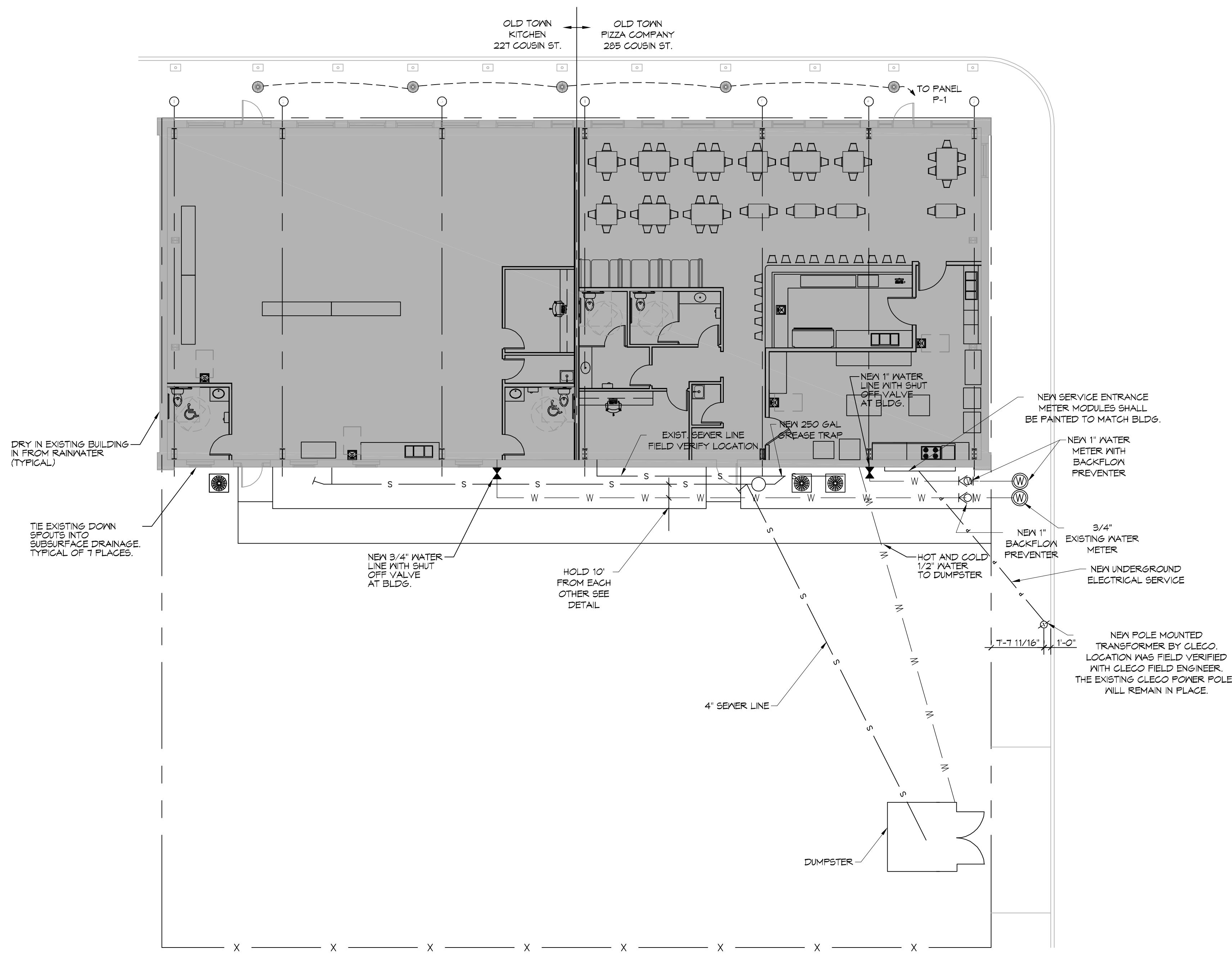


FILE NAME: \\1-RESTAURANT\3131 - Old Town Pizza Company\Drawings\C102 - Site Utilities.dwg PLOT DATE: 8/20/24 Thursday, December 14, 2023 11:43:13



1 SITE UTILITY PLAN
SCALE: 1"=10'-0"

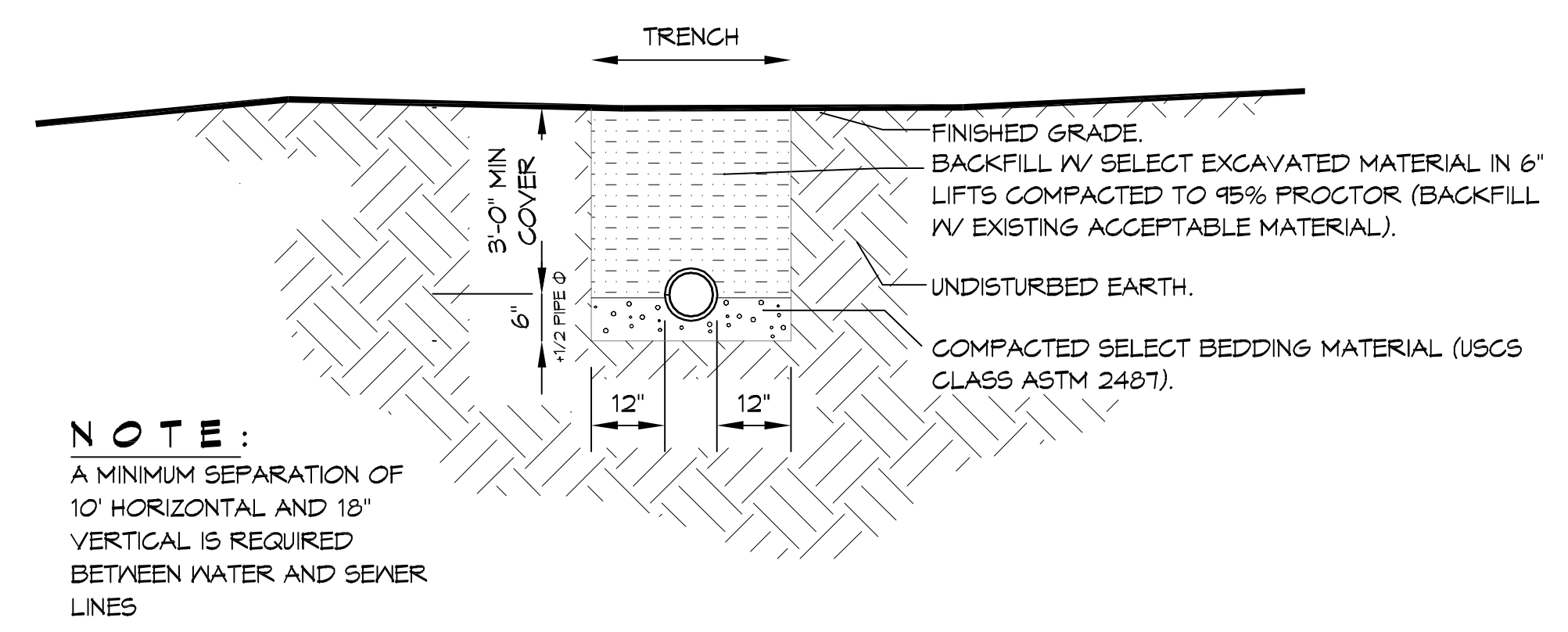


GENERAL SITE NOTES

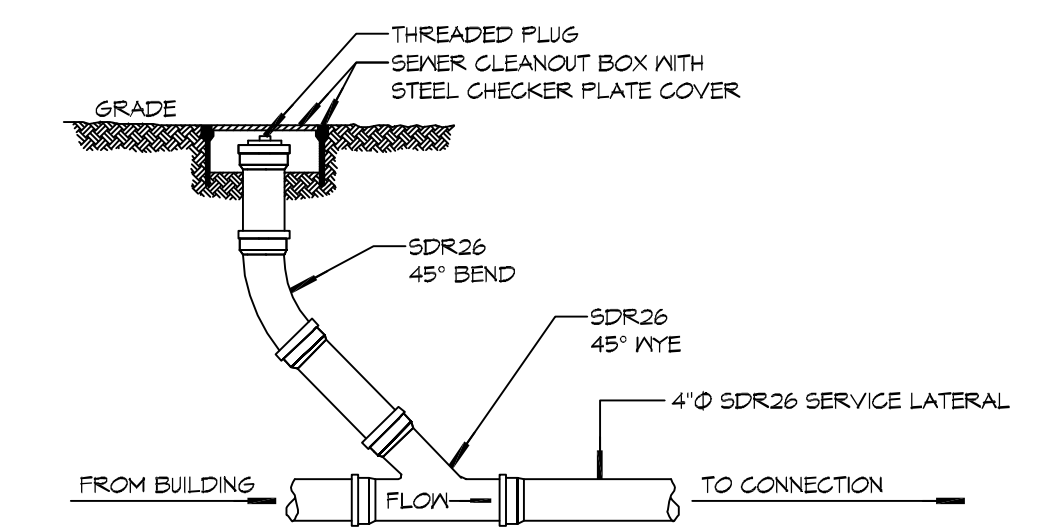
1. PROVIDE ALL LABOR, MATERIAL AND EQUIPMENT FOR A COMPLETE OPERATING SYSTEM. CONTRACTOR IS TO FIELD VERIFY ALL EXISTING UTILITY LOCATIONS, ELEVATIONS, AND INVERTS PRIOR TO COMMENCING ANY WORK. CONTRACTOR SHALL PAY NECESSARY FEES FOR THE UTILITIES CONNECTIONS.
2. CONTRACTOR TO BE RESPONSIBLE TO VERIFY ANY INVERTS AND SET NEW INVERTS OF SEWAGE AND DRAINAGE PIPES.
3. ALL WORK AND MATERIAL TO COMPLY STRICTLY TO THE LATEST LOCAL CITY PARISH, STATE, AND NATIONAL GOVERNING CODES.
4. SEWAGE LINES 3" AND SMALLER SHALL BE SLOPED 1/4" PER FOOT AND LINES THAT ARE 4" AND LARGER SHALL BE SLOPED 1/8" PER FOOT.
10. CONTRACTOR SHALL CONTACT LOUISIANA ONE CALL PRIOR TO COMMENCEMENT OF SITE EXCAVATION.

SITE UTILITIES LEG
END

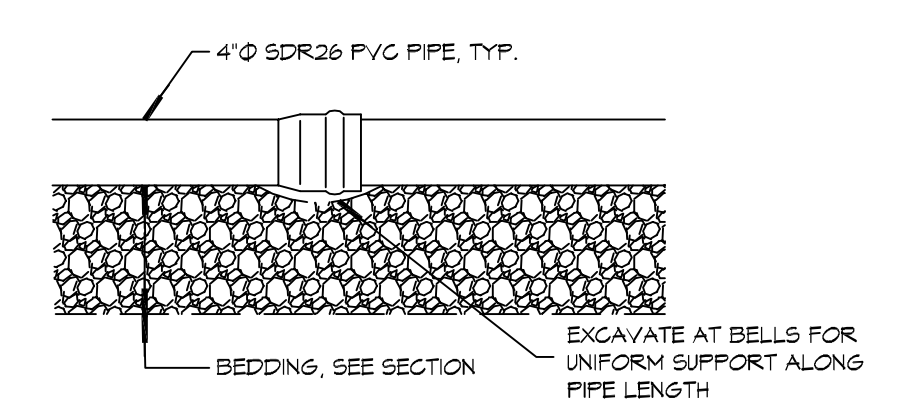
- W — NEW WATER LINE
- S — NEW SEWER LINE
- P — NEW ELECTRICAL LINE



2 DETAIL
SCALE: N.T.S. SEWER AND WATER SEPARATION



3 DETAIL
SCALE: N.T.S. SEWER CLEAN OUT



4 DETAIL
SCALE: N.T.S. TYPICAL PIPE BEDDING

DAMMON ENGINEERING, INC.
LOUISIANA & MISSISSIPPI

Chief Engineer: Brian Mistich, PE
554 Old Spanish Trail
Slidell, LA 70468

www.dammonengineering.com
info@dammonengineering.com
PH: 985.469.5832

#	DESCRIPTION	REVISIONS	DATE

SEAL:

Brian A. Mistich

NEW RESTAURANT
OLD TOWN PIZZA COMPANY

285 COUSIN STREET
SLIDELL, LA 70468

JOB No: 28971 DATE: 11-21-17
DRAWN BY: CKD CHECKED BY: CKD

SHEET TITLE:
SITE UTILITY PLAN

DRAWING NUMBER:
C102

SHEET No: 4 of 9