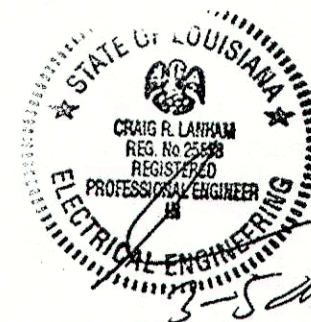


| REVISION # | DATE | DESCRIPTION | BY |
|------------|---------|-------------|----|
| 1 | 8/13/07 | | |
| 2 | | | |
| 3 | | | |
| 4 | | | |
| 5 | | | |
| 6 | | | |
| 7 | | | |

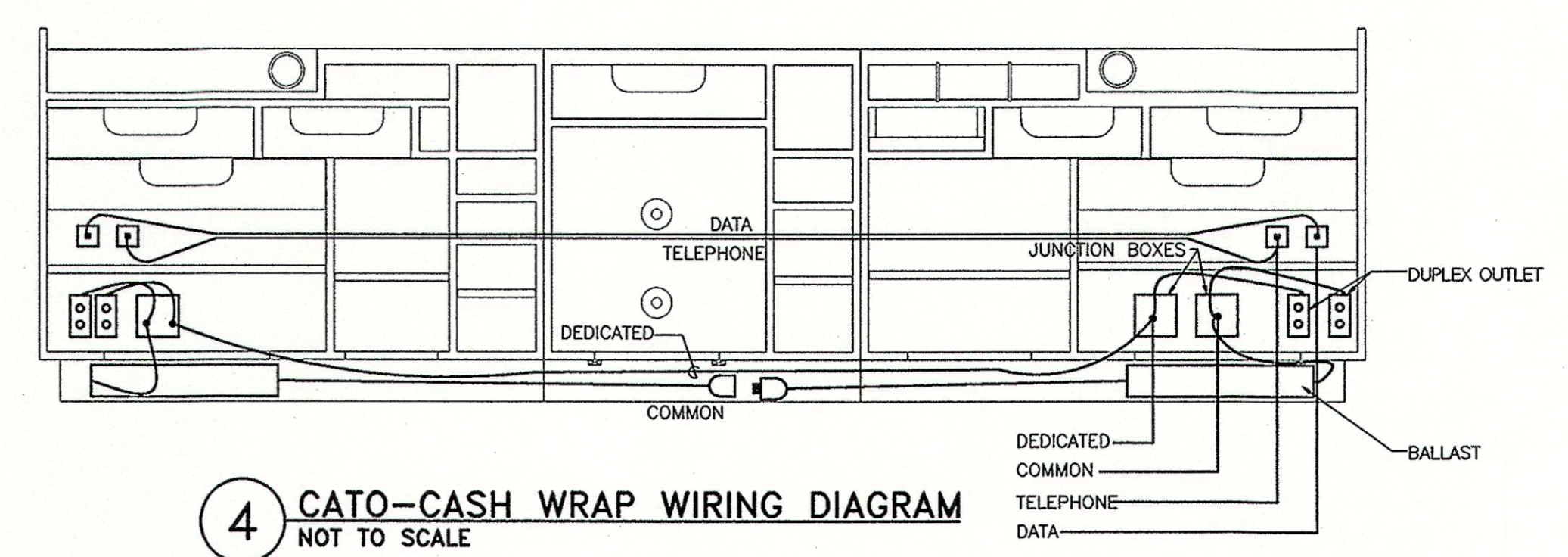
DDG DUPLANTIS DESIGN GROUP, PC
Respect. Integrity. Client Satisfaction. Excellence.
 THIBODAUX, LOUISIANA
 HOUSTON, TEXAS
 Civil Engineering • Site Development • Land Planning • Architecture
 314 East Bayou Road
 Thibodaux, Louisiana 70301
 Phone: 985-447-0099
 Fax: 985-447-7059

SIGNATURE: _____ DATE: _____

 STAMP

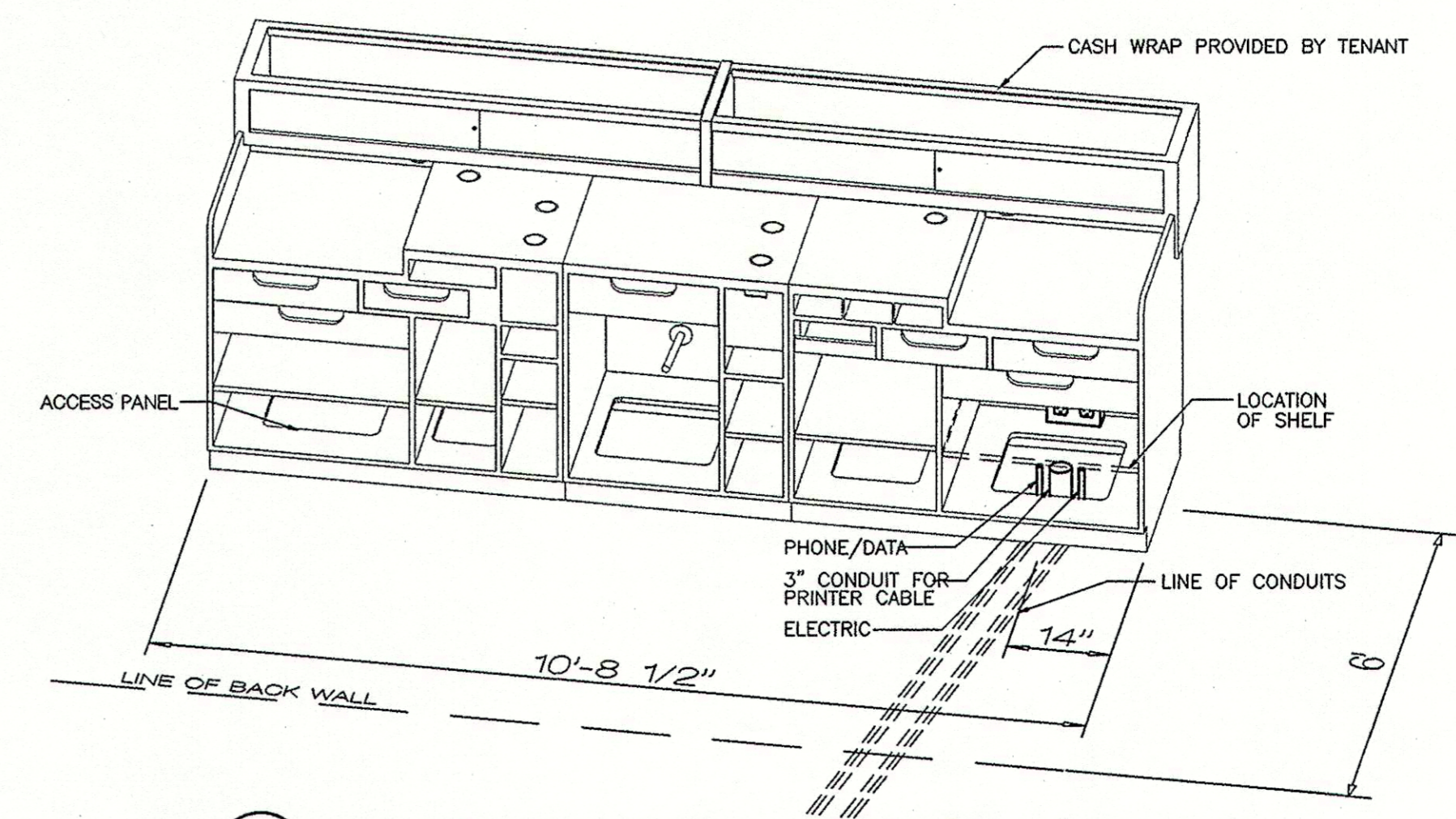
PROPOSED RETAIL DEVELOPMENT
 CITY OF BOUETTE
 ST. CHARLES PARISH, LOUISIANA
 FOR THE SPECTRA GROUP, INC.
 MEMPHIS, TENNESSEE

| | |
|-------------|------------------|
| DRAWN | FLS |
| CHECKED | DWL |
| DATE | 8/13/07 |
| SCALE | AS NOTED ON DWG |
| PROJECT NO. | 0760001106 |
| FILE | 0760001106E6.DWG |
| SHEET | E6.1 |

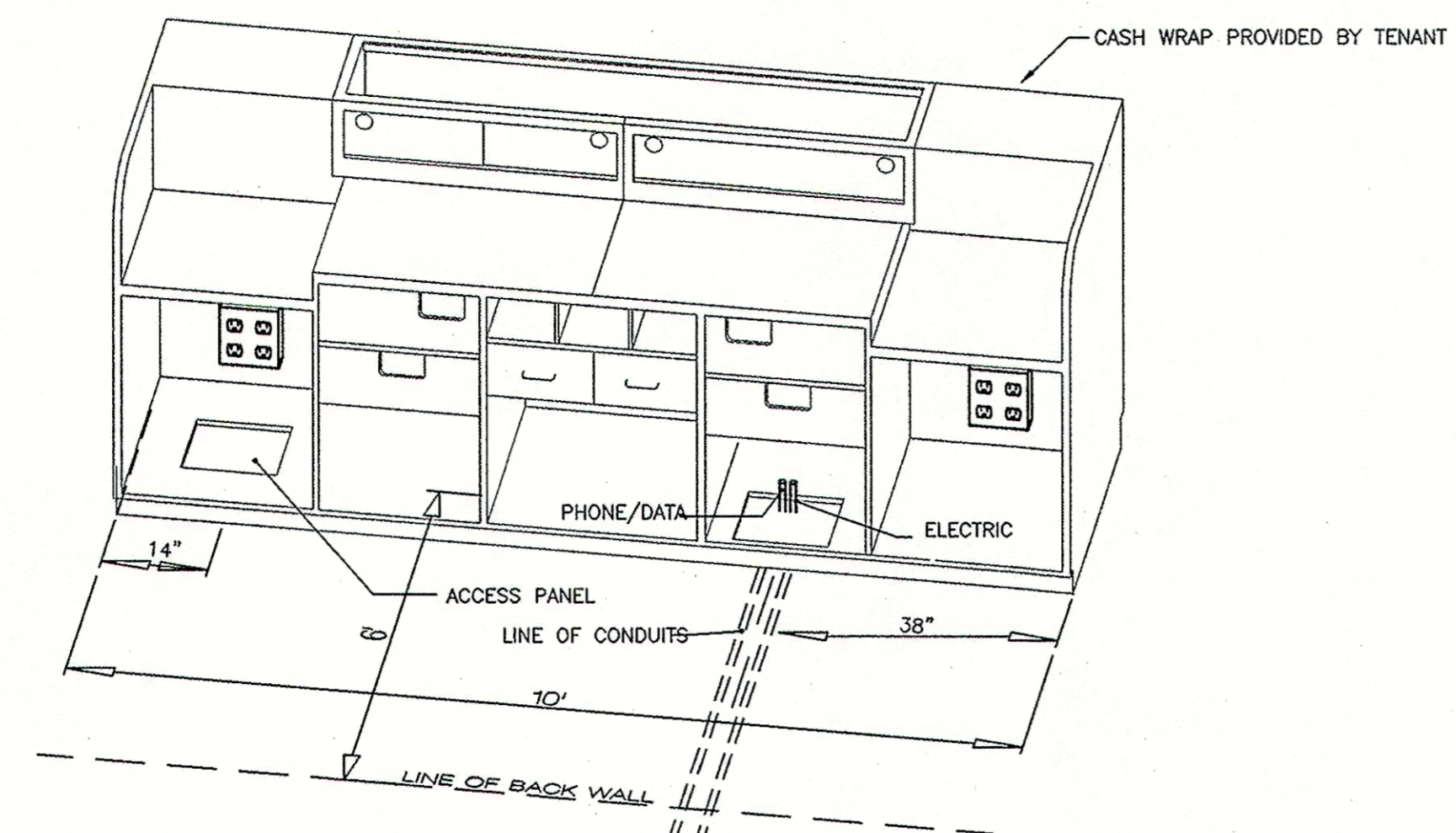
HENDERSON ENGINEERS
 8325 LENEZA DRIVE
 MEMPHIS, TN 38114
 TEL 913 742 2900 FAX 913 742 5001
 www.hel-eng.com
 0750001106



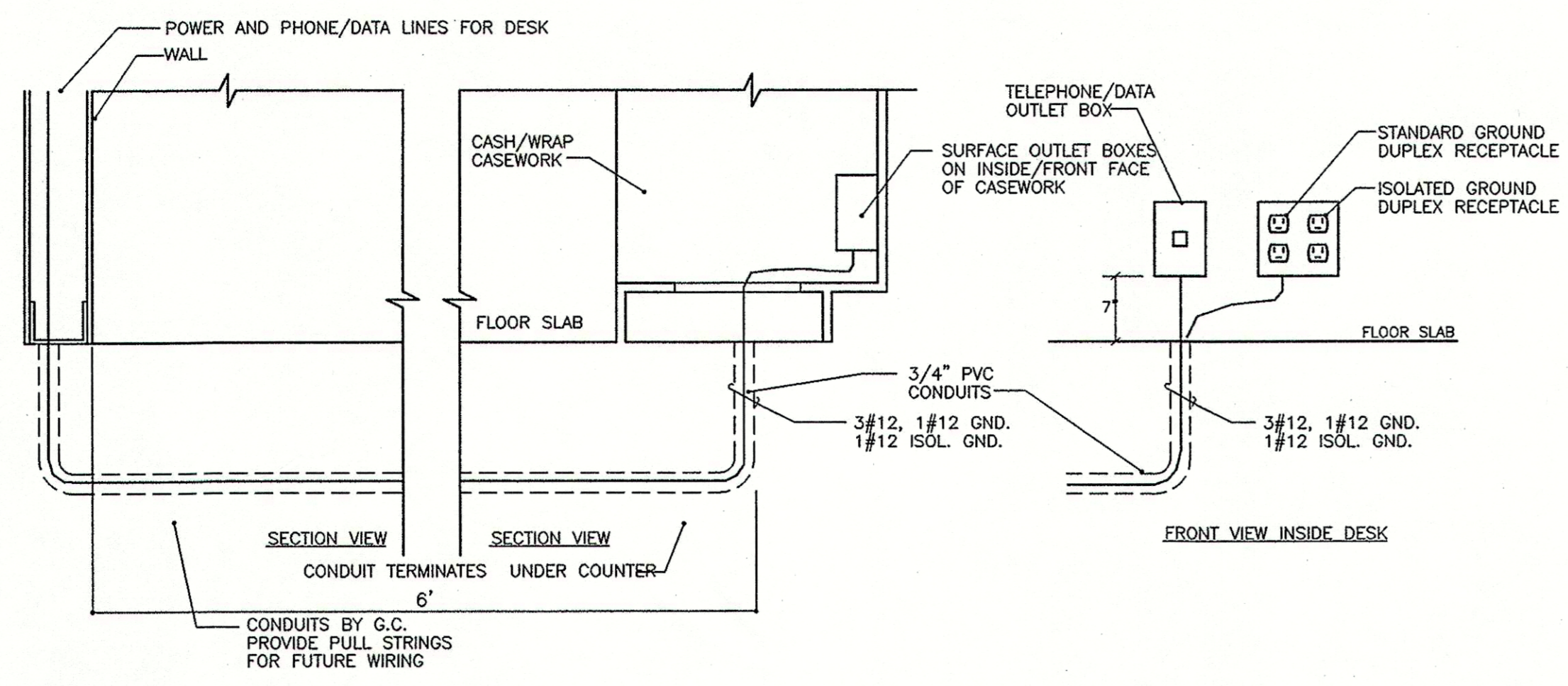
4 CATO-CASH WRAP WIRING DIAGRAM
 NOT TO SCALE



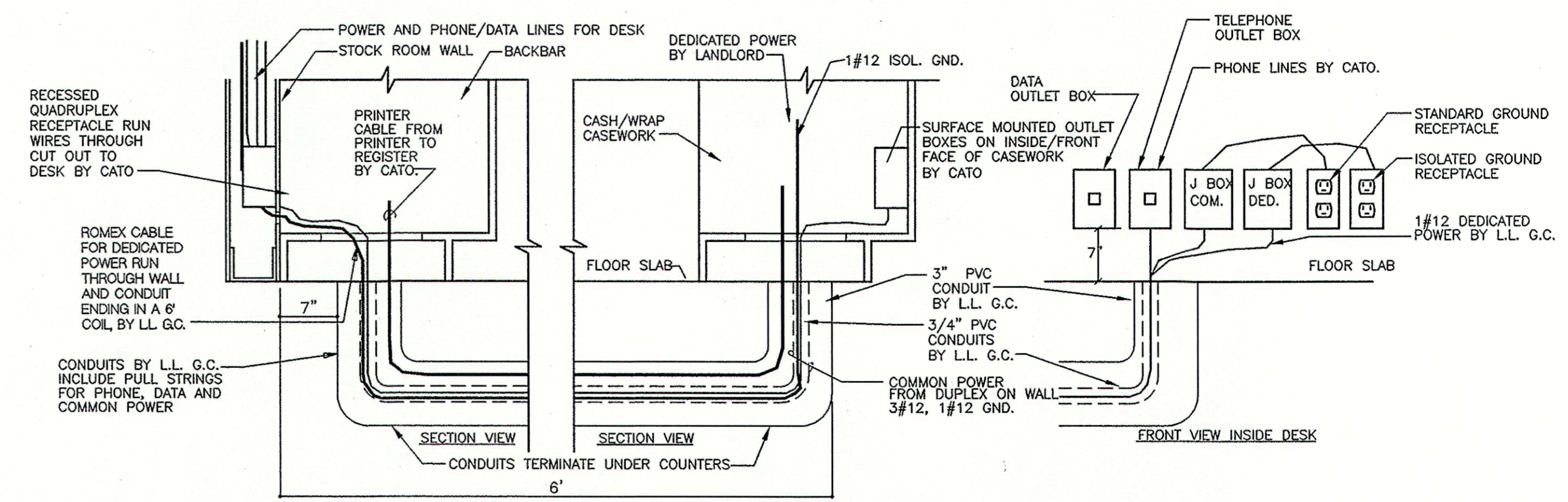
3 CATO-CASH WRAP OUTLET DIAGRAM
 NOT TO SCALE



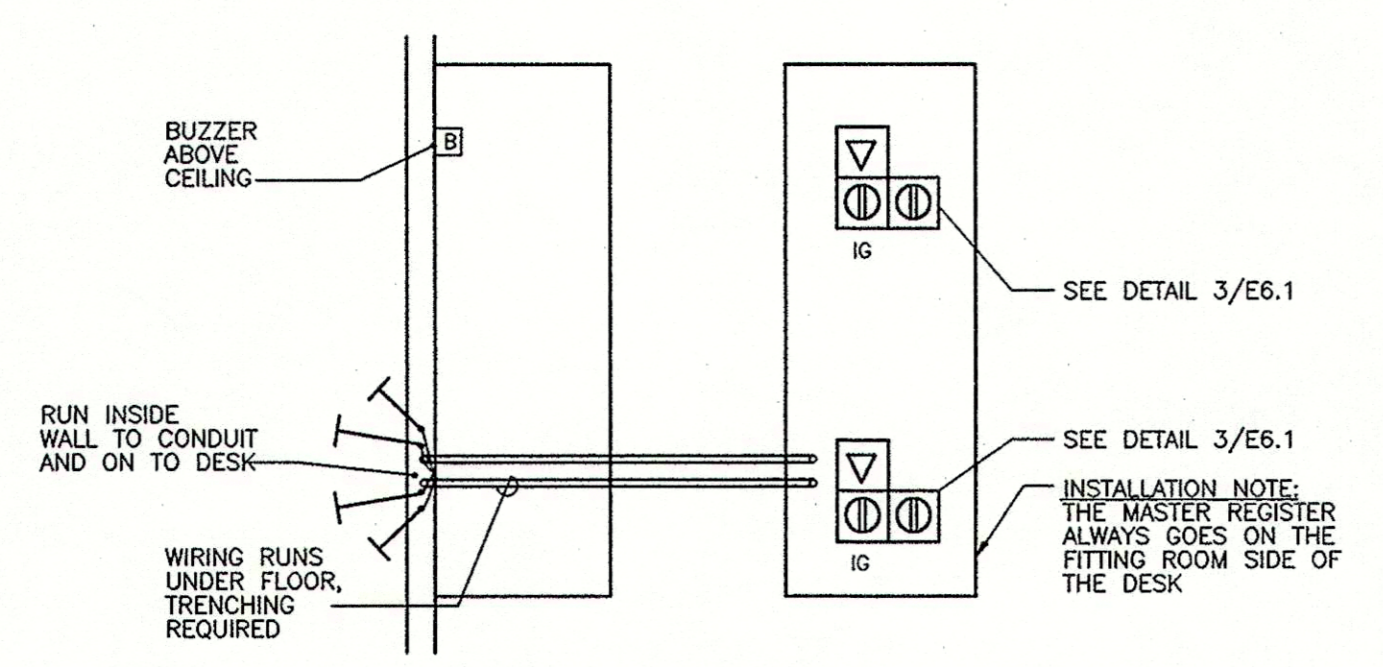
7 ITS FASHION CASH WRAP OUTLET DIAGRAM
 DIAGRAMMATIC



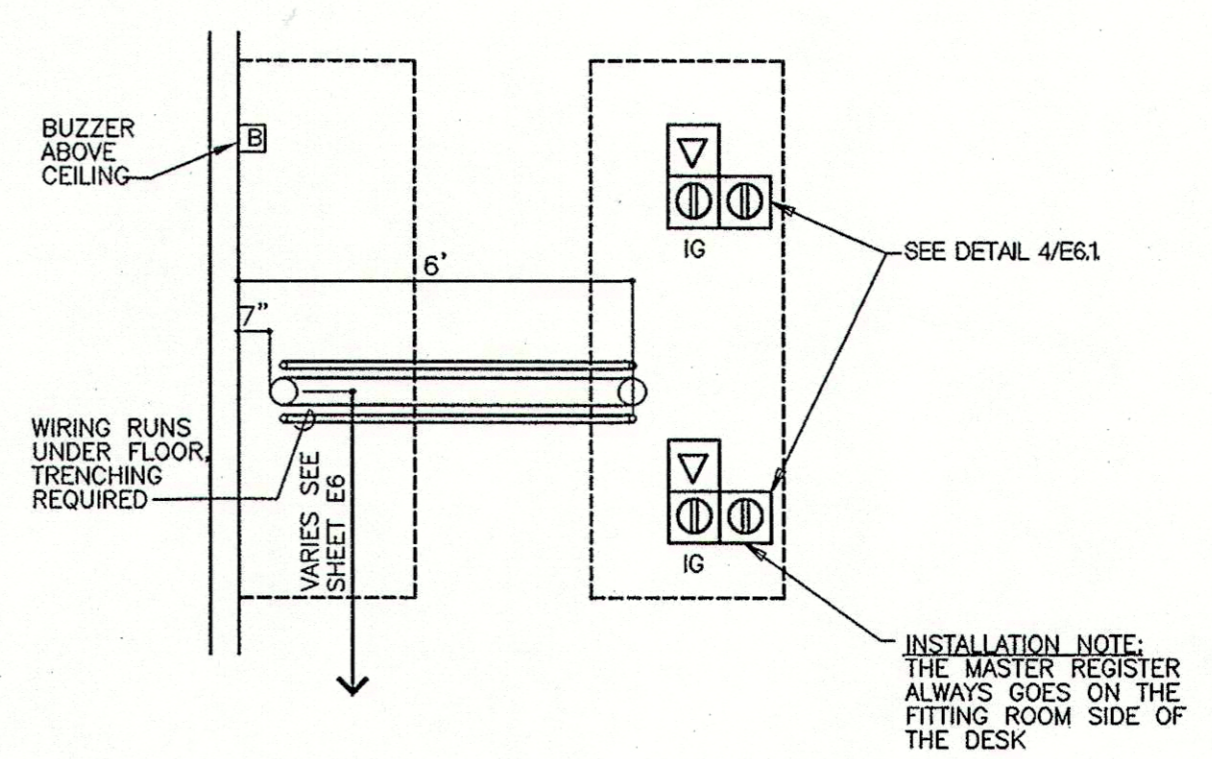
6 ITS FASHION CASH WRAP OUTLET DETAIL
 DIAGRAMMATIC



2 CATO-CASH WRAP OUTLET DETAIL
 NOT TO SCALE



5 ITS FASHION-SALES/STOCK WALL CASH WRAP DETAIL
 DIAGRAMMATIC



1 CATO-SALES/STOCK WALL CASH WRAP DETAIL
 DIAGRAMMATIC

SHEET ADDED

Program: D:\duplantis\0750001106 Spectra Retail Center - Bouette - LAN0001\0750001106E61.dwg, Plot: 8/20/08 10:48:58 AM, User: henderse