

XBEW Type 1, Baffle Filter Single Wall - Exhaust Only Wall Canopy

Model	Hood Length (in.)	Width (in.)	Bottom Width (in.)	Height (in.)		Exhaust Volume (CFM)	Exhaust SP (in. w.g.)	Double Island
				Front	Back			
XBEW	178	54	54	24	24	3700	0.488	No

Selected Options & Accessories:

Option or Accessory	Description
Mounting Height	80 in. off Finished Floor.
Integral Air Space	Factory Mounted on Back - 3" wide 48 lbs
Non-Integral Air Space	Factory Mounted on Right - 1" wide Zero Clearance Finished End
Ceiling Enclosures	18 in. High on Left Front Right
Filter Type	Stainless Steel Baffle Filters 48 lbs
Backsplash Panel	80 in High 191 in Long 0 in Wide 159 lbs
Right Sidesplash	80 in High 54 in Long 0 in Wide 45 lbs
Continuous Capture	UL listed connection to join multiple sections.

Material: 430 SS Where Exposed
UL Listing: UL 710 w/out Exhaust Fire Damper

Features:
 Performance Enhancing Lip (PEL)
 Standing Seam Construction for Superior Strength
 Stainless Steel Finish for Higher Corrosion Resistance

Hood End Conditions:
 Back Wall - Limited Combustible
 Right Partial Wall - Full Combustible

Section Data:

Length (in.)	Volume (CFM)	Exhaust Rate (CFM/FT)	SP (in. wg)	Filter Qty		Filter Ht. (in.)	Cooking Load	Light Qty	Light Type	Foot Candles	Drain Location	Hanging Weight (LBS)
				16" W	20" W							
89	1850	249	0.488	3	2	20	Heavy	4	Incandescent / CFL	45.65	Left/Right	543.67
89	1850	249	0.488	3	2	20	Heavy	4	Incandescent / CFL	45.65	Left/Right	283.71

Exhaust Collar Data:

Collar Num.	Collar Size (LxW) in. or Diameter (in.)	Pos. Off Left (in.)	Pos Off Back (in.)	Velocity (fpm)	Mounting Option
1	18 x 9	44.5	6.5	1644	Factory Mounted Exhaust Collar(s)
1	18 x 9	44.5	6.5	1644	Factory Mounted Exhaust Collar(s)

External Supply Plenum Data:

Supply: 2960 CFM

MUA: 2960 CFM

AC: 0 CFM

Plenum Num.	Side	Type	Length (in.)	Width (in.)	Height (in.)	Volume (CFM)	Weight (lbs)	SP (in. wg)	Insulated	MBD	LED Lights
1	Front	Air Curtain Supply (ASP)	101	18	4	1565	61	0.01	No	Yes	No
2	Front	Air Curtain Supply (ASP)	90	18	4	1395	57	0.01	No	Yes	No

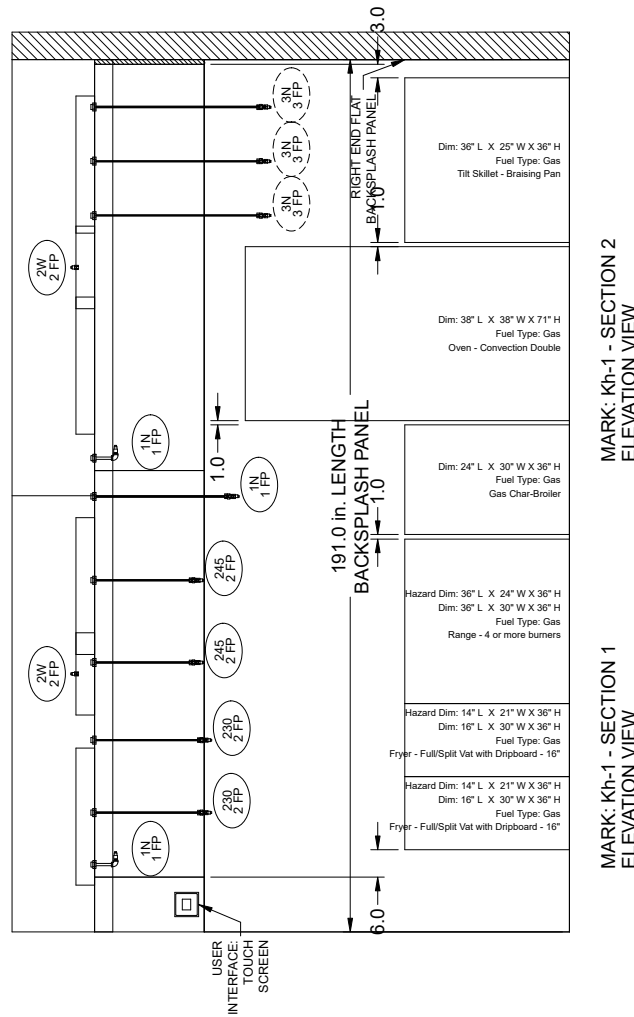
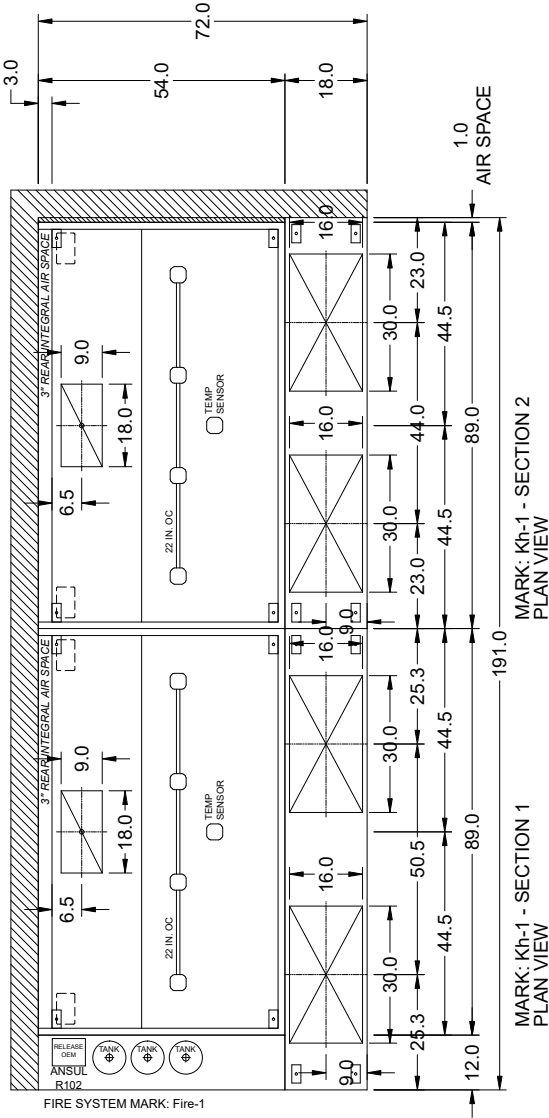
External Supply Collar Data:

Section Num.	Plenum Num.	Side	Collar Num.	Collar Shape	Collar Size (LxW) in. or Diameter (in.)	Pos. Off Left (in.)	Pos. Off Front (in.)	Velocity (fpm)	Mounting Option
1	1	Front	1	rectangular	30 x 16	25.25	9	235	Factory Mounted Supply Collar(s)
1	1	Front	2	rectangular	30 x 16	75.75	9	235	Factory Mounted Supply Collar(s)
2	1	Front	1	rectangular	30 x 16	23	9	209	Factory Mounted Supply Collar(s)
2	1	Front	2	rectangular	30 x 16	67	9	209	Factory Mounted Supply Collar(s)

Utility Cabinet Data:

Descripton	Length (in.)	Width (in.)	Height (in.)	Weight (lbs)
Left Utility Cabinet	54	12	24	248.4

Fire (piping/drops/nozzles/etc.) subject to change. As built's can be provided at time of order and included with product shipment

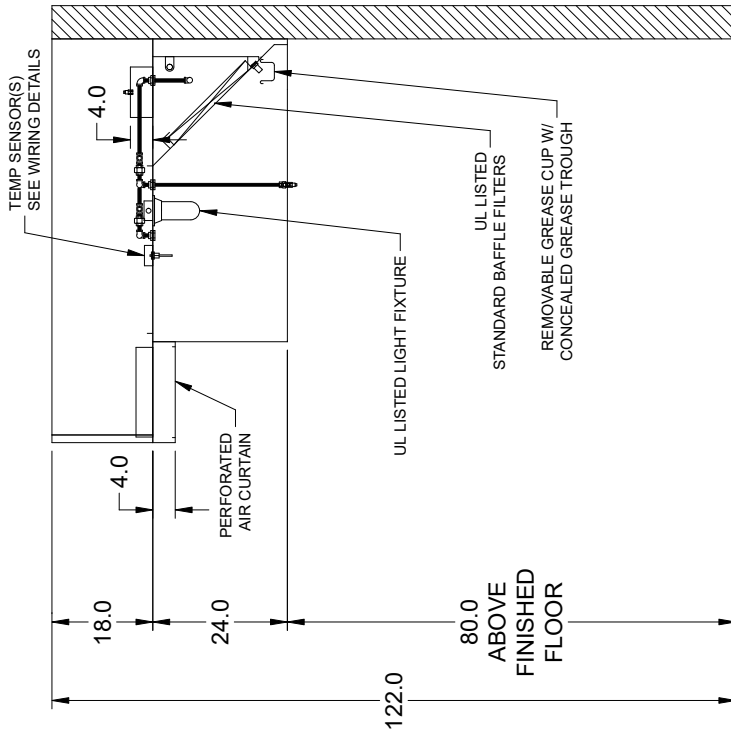


NOTE: All dimensions are in units of in.



Hanger Bracket Locations			
Sec #	Brkt #	Distance Off Left (in)	Distance Off Front (in)
1	1	3.50	2.50
1	2	85.50	2.50
1	3	3.50	50.00
1	4	85.50	50.00
2	1	3.50	2.50
2	2	85.50	2.50
2	3	3.50	50.00
2	4	85.50	50.00

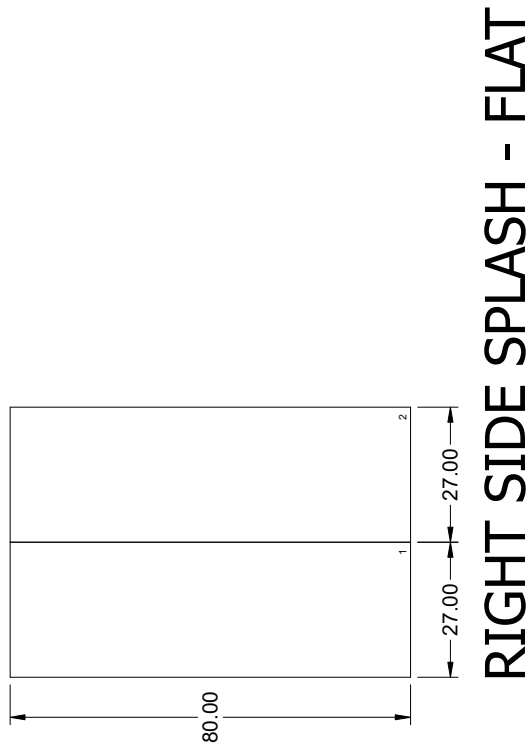
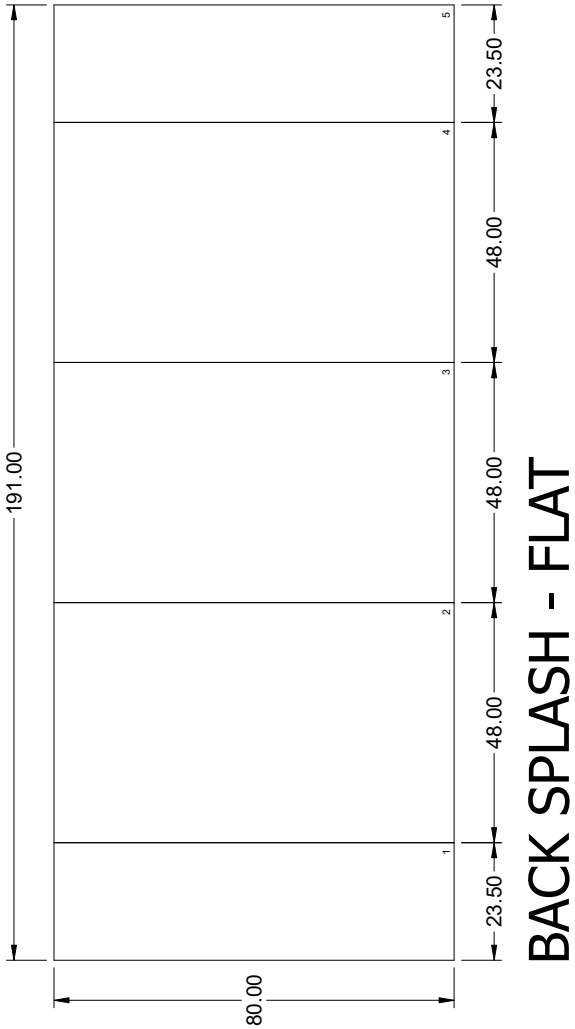
Bracket Mounting Position for a 4 Bracket Hood	
3	4
1	2
	BACK
	FRONT



MARK: Kh-1 (LAST HOOD IN ROW)

NOTE: All dimensions are in units of in.





NOTE: All dimensions are in units of in.



Ansul R-102 Wet Chemical Fire Suppression System

Scope:
 Pre-Pipe With Parts and Factory Coordinated Installation

Hood Fire Suppression System

Detection Type	Mechanical
Coverage	Appliance Specific
Hood Mark(s) Connected	Kh-1 Kh-1
Mounting Location	Utility cabinet on hood (see hood submittal for more visual detail)
System Size	9 Gallon
Flow Points	Maximum of 33 and 24 are utilized.

Options and Accessories for Hood Fire System Provided from Factory

OEM Regulated Release Assembly	QTY of 1
3 Gallon Tank Assembly	QTY of 3
Gas Valve	2", mechanical
Manual Pull Stations	QTY of 1
Microswitch	QTY of 1
Alarm Initiating Switch	QTY of 1
Metal Blow Off Caps	Included

Important Notes

- The manner in which the parts included in the scope of this fire system are supplied may vary. They could be shipped from the fire suppression manufacturer, shipped loose with the hood, connected directly to the hood, or supplied directly to the installing distributor.
- Must maintain 8 inch clearance between top of hood and pipe connections for installation (includes piping and workspace clearance).
- The amount of supply pipe that should not be exceeded per system is 32 ft., which includes all pipe used along the length the hood, between hoods, and the pipe needed to connect to the tanks where they are mounted.
- Pull station locations must be a minimum of 10 ft. and a maximum of 20 ft. from the hoods and in the path of egress. They also must be 40-48 in. from the finished floor.
- Systems are pre-piped for a specific appliance line-up. If appliance types and sizes differ from what is shown on the hood submittal, this may result in a field re-pipe which is outside the scope defined here.

Gas Valve

Quantity: 1
Ansul
Mechanical
2 in.

Labor Information:

Hook-up of detection line and supply line is included.
Surface mounting of the manual pull station in a pre-determined location is included.
Charging and arming of the system is included.
Permit Included
Hood Puff Test Fee Included

Items which may be supplied by the factory, but are not installed or hooked-up by the factory OR the installing distributor:

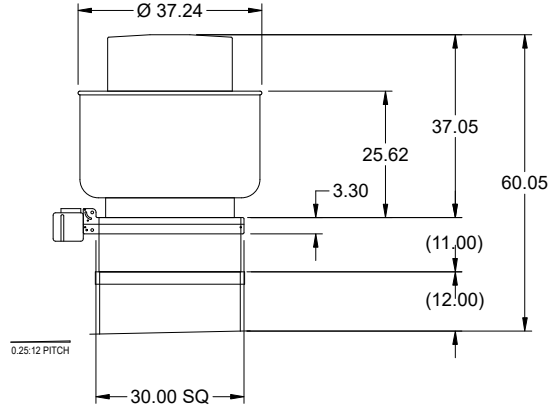
Gas valve (not applicable for PCU)
Microswitch(es)
Remote mounted cabinets, enclosures, or tank brackets

Not included unless explicitly stated elsewhere in the quote as included:

Special, signed, or sealed drawings required to satisfy a state or local code
Parts or labor required to correct piping due to cooking equipment changes or deviation from approved drawings
More than two trips to the jobsite, special transportation, or overnight lodging requirement in remote areas. Typical travel distance is defined as the first 50 miles from the distributor's office
A shut-off device (e.g. shunt-trip breaker) for electric cooking equipment
All electrical connections required to shut down fan(s), electric cooking equipment, activate an alarm system, etc. aside from what is explicitly stated as "factory-wired" in the Accurex control's scope (if provided)
Installation of the gas shut-off valve
Pre-test
Full dump test or any other system test requirement outside of a standard puff test
Special classes or additional labor for access to security sensitive areas
Union labor, government labor, or prevailing wages required for field hook-up
Any dismantling or reassembly required where access to the fire suppression piping has been blocked
Plan examination fees
Rough-in conduit for remote pull station (for flush mounted pull station) or gas valve
Additional remote pull stations beyond the quantity specified in the submittals

Model: XCUE-200-VG

Direct Drive Upblast Centrifugal Roof Exhaust Fan



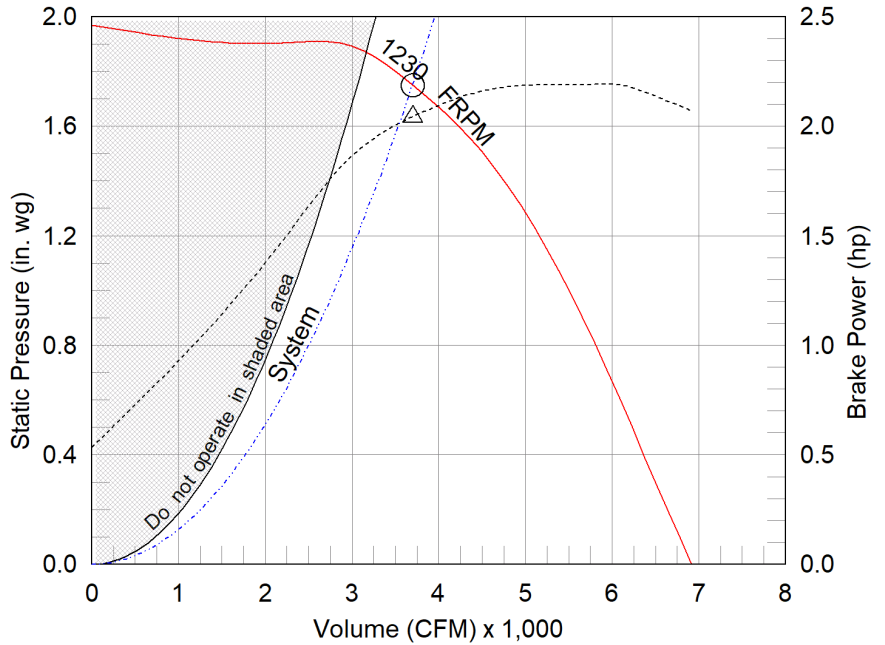
Dimensional	
Quantity	1
Weight w/o Acc's (lb)	183
Weight w/ Acc's (lb)	225
Weight w/ Acc's and Curb (lb)	259
Standard Curb Cap Size (in.)	30 x 30
Roof Opening (in.)	26.5 x 26.5

Performance	
Requested Volume (CFM)	3,700
Actual Volume (CFM)	3,700
Total External SP (in. wg)	1.75
Fan RPM	1230
Operating Power (hp)	2.04
Elevation (ft)	10
Airstream Temp.(F)	70
Air Density (lb/ft3)	0.075
Tip Speed (ft/min)	6,882
Static Eff. (%)	50

Misc Fan Data	
Fan Energy Index (FEI)	1.23
Outlet Velocity (ft/min)	1,267

Motor	
Motor Mounted	Yes
Size (hp)	3
Voltage/Cycle/Phase	208/60/3
Enclosure	TEFC
Motor RPM	1350
Efficiency Rating	High
Windings	1
FLA (Amps)	8
Min. Circuit Ampacity (MCA)	10
Max. Overcurrent Protection (MOP)	20
Short Circuit Current Rtg (SCCR)	5 kA

OVERALL HEIGHT MAY BE GREATER DEPENDING ON MOTOR, ADAPTER, AND/OR HINGE BASE.



- △ Operating Bhp point
- Operating point at Total External SP
- Fan curve
- - - System curve
- - - Brake horsepower curve

Notes:

All dimensions shown are in units of in.
 *NEC FLA, MCA and MOP are for reference only – based on tables 430.248 or 430.25 of National Electric Code 2020. Actual motor FLA may vary, for sizing thermal overload, consult factory.
 MCA and MOP values shown only account for the motor, not accessories (damper actuator, field supplied VFD, etc).
 LwA - A weighted sound power level, based on ANSI S1.4
 dBA - A weighted sound pressure level, based on 11.5 dB attenuation per Octave band at 5 ft - dBA levels are not licensed by AMCA International
 Sones - calculated using ANSI/AMCA 301 at 5 ft

Sound Power by Octave Band

Sound Data	62.5	125	250	500	1000	2000	4000	8000	LwA	dBA	Sones
Inlet	85	87	88	77	74	73	70	66	83	71	21



Model: XCUE-200-VG

Direct Drive Upblast Centrifugal Roof Exhaust Fan

Standard Construction Features:

- Aluminum housing - Backward curved composite (sizes 60-95) or aluminum (sizes 99-300) wheel - Aluminum curb cap with prepunched mounting holes - Drain trough - Ball bearing motors (sizes 85-300 and all Vari Green), sleeve bearing motors (sizes 60-80) - Motor isolated on shock mounts - Corrosion resistant fasteners - Removable power pack - Tool-less hood entry

Selected Options & Accessories:

Motor - Vari-Green EC motor
Control - 0-10VDC Input, (no control provided, signal supplied by others)
Standard Curb Cap Size - 30 Square
UL/cUL 705 Listed - Supplement SC - "Power Ventilators for Restaurant Exh. Appliances" (Formerly UL 762)
Switch, NEMA-3R, Toggle,
Junction Box Mounted & Wired
Curb Extension-Galv., VCE-30-G11, Shipped Loose From Factory
Hinge, Factory Installed
High Temp Curb Seal Rated for Continuous Duty at 1500 F (Factory Attached)
Grease Trap (PN 475538)
Aluminum Wheel Material
Unit Warranty: 1 Yr (Standard)

Selected Sub Marks

See individual submittals for full details
GPIP-30-G12

The Vari-Green Motor included in this order can operate on any three phase voltage between 208V and 240V.

Vari-Green Motor & Control Options

An EC motor that uses AC input power and internally converts it to DC power. Motor accepts a 0-10VDC control signal. Motor is operable in the 2-10VDC range and off while in the 0-1.9VDC range. Vari-Green motors feature a soft-start and inherent thermal and current protection built into each unit. Inrush current at start up is eliminated and the motor will automatically reduce speed or turn off if overloaded or it becomes too hot.

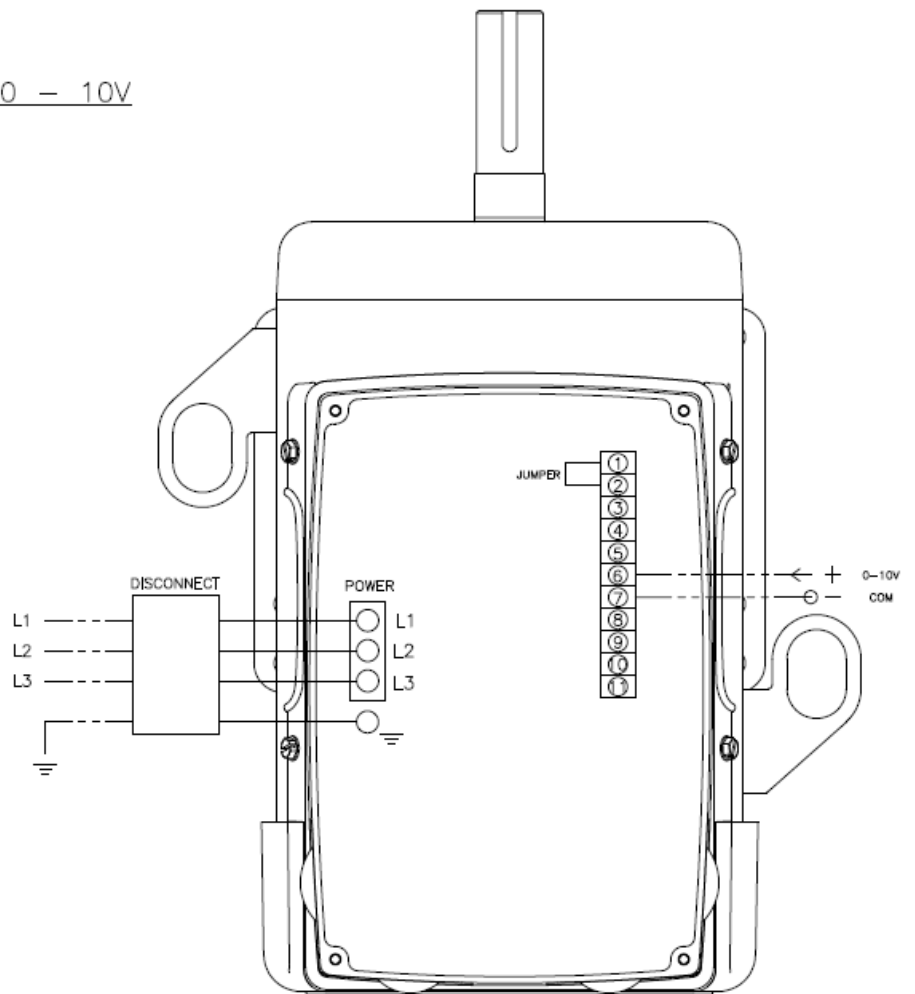
Motor Configuration

Input Voltage: 208
 Speed Reference: 0-10VDC
 Permanent Dial: No
 Balance Dial Included: No

0 - 10V

Control Configuration

Control Type: 0-10 VDC
 Transformer: None



DRAWING#
5.1.2.v1

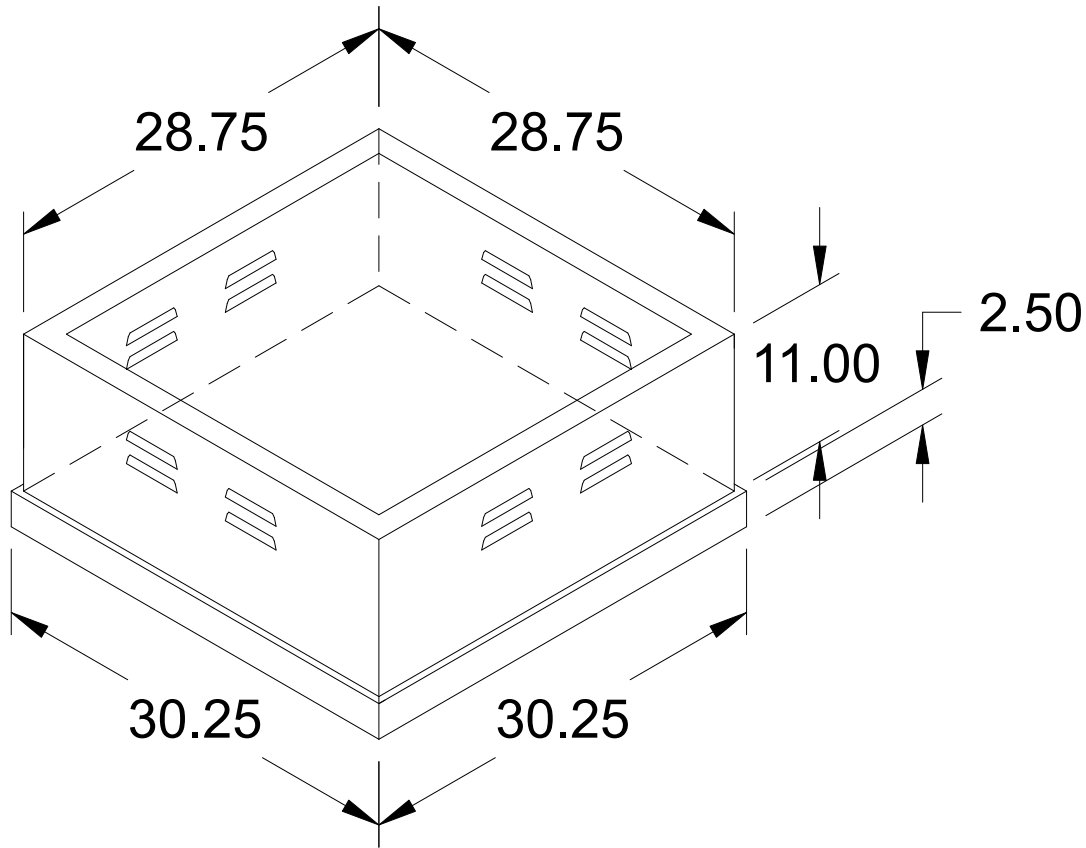
----- FIELD
 WIRED
 _____ FACTORY
 WIRED

Vented Curb Extension

Model: VCE

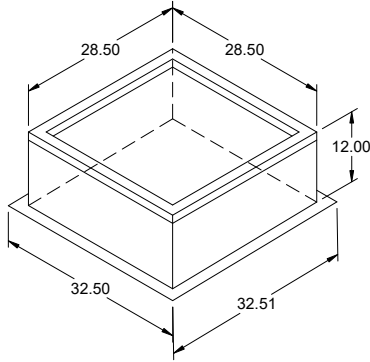
Standard Construction Features:

- Curb Extension mounts between the fan and the roof curb - Constructed of either 18 ga galvanized or optional 0.064 in. aluminum - Louvered vents are designed to vent heat in restaurant exhaust applications - Designed to provide required 18 in. minimum discharge height above roof line when used with an 8 in. high roof curb and Accurex model spun aluminum upblast exhaust fan per NFPA 96. NOTE: Damper Trays are not available.



ISOMETRIC VIEW

Notes: All dimensions shown are in units of in.



Model: GPIP

Pitched Roof Curb

0.25:12 PITCH

Standard Construction Features:

- Roof Curb fits between the building roof and the fan mounted directly to the roof support structure - Constructed of either 18 ga galvanized steel or 0.064 in. aluminum - Designed for pitched roofs - Straight sided without a cant - Wood nailer for attachment of roof flashing material - 2 in. mounting flange - 1 in. thick 3 lb density insulation - Height - Available from 12 in. to 24 in. as specified in 0.5 in. increments. Notes: - The maximum roof opening dimension should not be greater than the "Actual" top outside dimension minus 2 in.. - The minimum roof opening dimension should be at least 2.5 in. more than the damper dimension or recommended duct size. - The Roof Opening Dimension may or may not be the same as the Structural Opening Dimension.

General

Tag	Qty	Model	Sizing Method	Undersizing (in.)	Pitch (in.)	Pitch Run	Weight (lb)	Shipped Assembled	Union Label
	1	GPIP-30	Nominal	1.5	0.25	Long Side	35	Yes	No Preference

Dimensions

Curb Height (in.)	Nominal Outside Width (in.)	Nominal Outside Length (in.)	Actual Outside Width (in.)	Actual Outside Length (in.)	Actual Inside Width (in.)	Actual Inside Length (in.)	Hinge Base Width* (in.)	Hinge Base Length* (in.)
12	30	30	28.5	28.5	25	25	29	29

*May not be applicable

Accessories

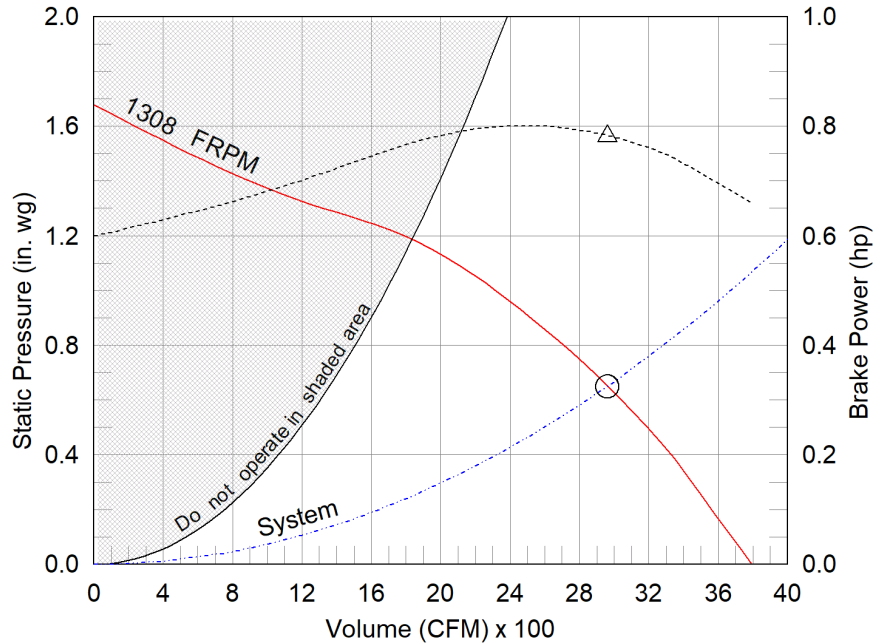
Material	Security Bars	Liner	Insulation (in.)	Insulation R Value
Galvanized	No	No	1	R4.3

Model: XKID-16-M2-VG

Direct Drive Mixed Flow Filtered Roof Supply Fan

Dimensional	
Quantity	1
Weight w/o Acc's (lb)	166
Weight w/ Acc's (lb)	244
Roof Opening (in.)	23 x 24.25

Performance	
Requested Volume (CFM)	2,960
Actual Volume (CFM)	2,960
Total External SP (in. wg)	0.65
Fan RPM	1308
Operating Power (hp)	0.78
Elevation (ft)	10
Airstream Temp.(F)	70
Air Density (lb/ft3)	0.075
Tip Speed (ft/min)	6,850
Static Eff. (%)	39



Motor	
Motor Mounted	Yes
Size (hp)	2
Voltage/Cycle/Phase	208/60/3
Enclosure	TEFC
Motor RPM	1700
Windings	1
FLA (Amps)	7.4
Min. Circuit Ampacity (MCA)	9
Max. Overcurrent Protection (MOP)	20

- △ Operating Bhp point
- Operating point at Total External SP
- Fan curve
- - - System curve
- - - Brake horsepower curve

Static Pressure Calculations

External SP	0.65 in. wg
Direct Drive RPM Adjustment	0 in. wg
Total External SP	0.65 in. wg

Nameplate Model: KSQ-16-M2-VG-X

Model equivalent to: SAF-115;KSFB-115

Sound Power by Octave Band

Sound Data	62.5	125	250	500	1000	2000	4000	8000	LwA	dBA	Sones
Outlet	92	82	76	72	71	70	67	64	77	66	17.4

Notes:

All dimensions shown are in units of in.
 *Please consult factory for actual motor amp draw
 LwA - A weighted sound power level, based on ANSI S1.4
 dBA - A weighted sound pressure level, based on 11.5 dB
 attenuation per Octave band at 5 ft - dBA levels are not
 licensed by AMCA International
 Sones - calculated using AMCA 301 at 5 ft



Model: XKID-16-M2-VG

Direct Drive Mixed Flow Filtered Roof Supply Fan

Standard Construction Features:

- Galvanized steel weather resistant housing - Mixed flow aluminum wheel - Two bolted access panels - Slip-in duct connection flange - Ball bearing motors - Corrosion resistant fasteners

Selected Options & Accessories:

Motor - Vari-Green EC motor

Control - 0-10VDC Input, (no control provided, signal supplied by others)

Provided motor meets the motor efficiency requirements set forth in 2024 Title 24/California

Horizontal Weatherhood Intake, Bottom (Curb Mounted) Discharge

UL/cUL 705 Listed - "Power Ventilators"

Switch, NEMA-3R, Toggle, Shipped with Unit

Aluminum Mixed Flow Wheel

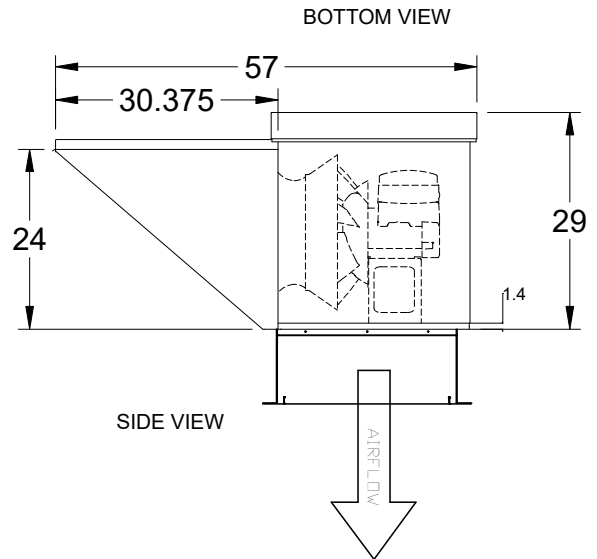
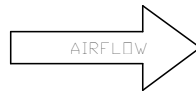
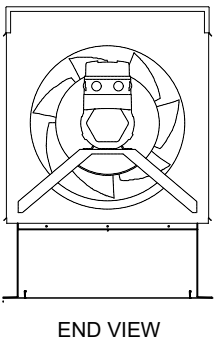
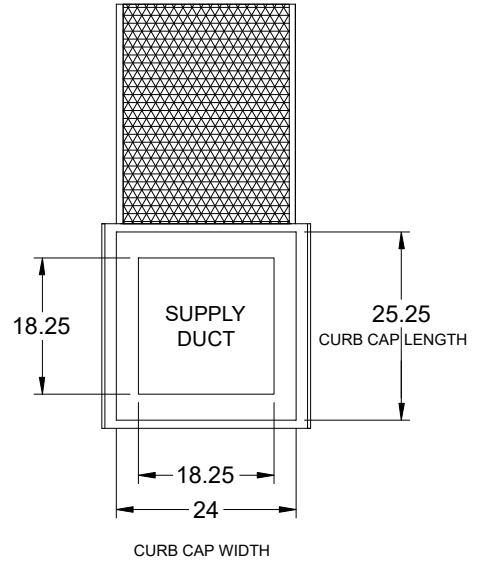
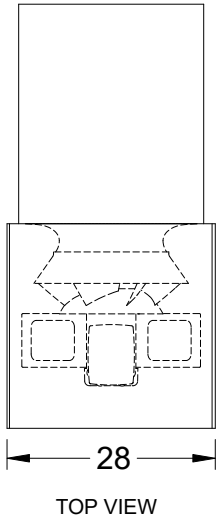
Galvanized Inlet Cone Material

1 in. Aluminum Primary Filter (PN: 486084), Shipped Separate

Unit Warranty: 1 Yr (Standard)

XKID-16-M2-VG

Direct Drive Mixed Flow Filtered Roof Supply Fan



NOT DRAWN TO SCALE

Notes: All dimensions shown are in units of in.

Vari-Green Motor & Control Options

An EC motor that uses AC input power and internally converts it to DC power. Motor accepts a 0-10VDC control signal. Motor is operable in the 2-10VDC range and off while in the 0-1.9VDC range. Vari-Green motors feature a soft-start and inherent thermal and current protection built into each unit. Inrush current at start up is eliminated and the motor will automatically reduce speed or turn off if overloaded or it becomes too hot.

Motor Configuration

Input Voltage: 208
 Speed Reference: 0-10VDC
 Permanent Dial: No
 Balance Dial Included: N/A

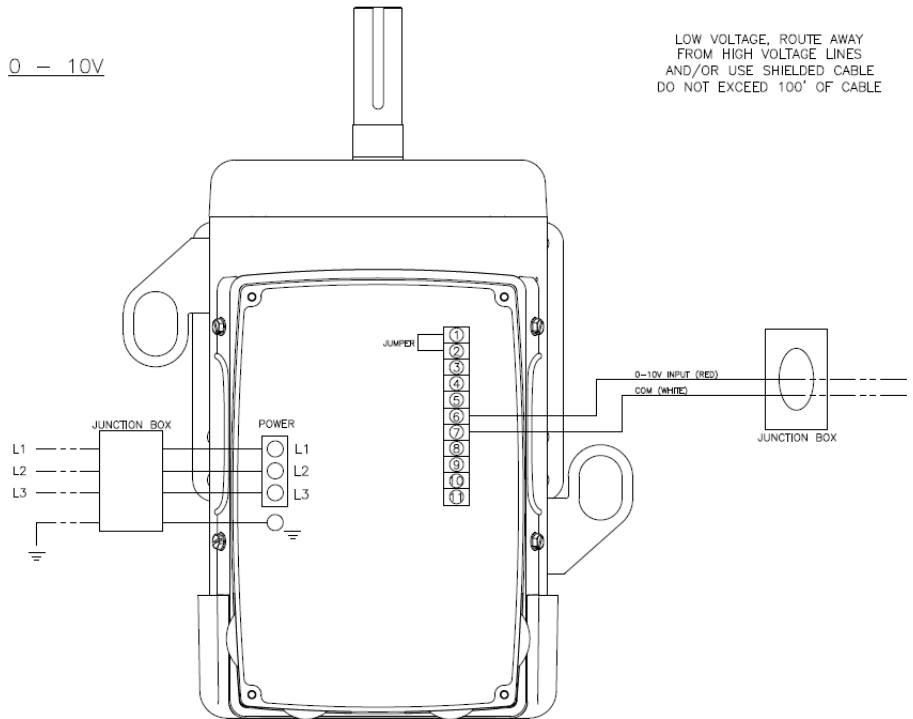
0 - 10V

Control Configuration

Control Type: By Others
 Transformer: None

Vari-Green

LOW VOLTAGE, ROUTE AWAY FROM HIGH VOLTAGE LINES AND/OR USE SHIELDED CABLE DO NOT EXCEED 100' OF CABLE



DRAWING# 9.1.9.92

----- FIELD WIRED
 _____ FACTORY WIRED

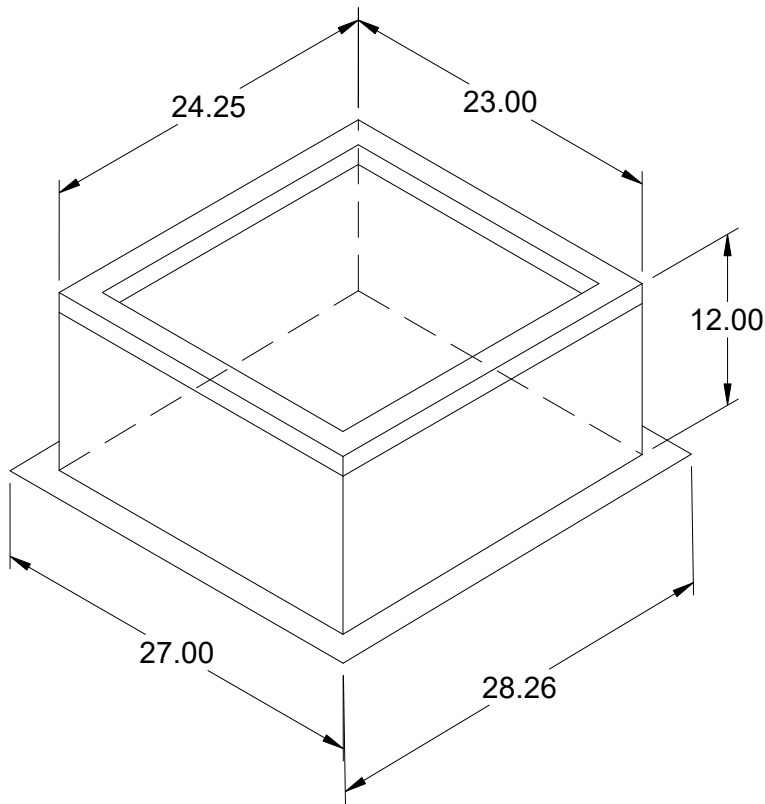
Pitched Roof Curb

Model: GPIIP

Material: Galvanized

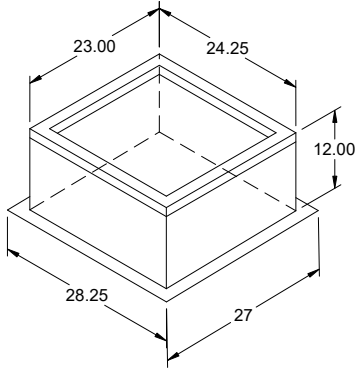
Standard Construction Features:

- Roof Curb fits between the building roof and the fan mounted directly to the roof support structure - Constructed of either 18 ga galvanized steel or 0.064 in. aluminum - Designed for pitched roofs - Straight sided without a cant - Wood nailer for attachment of roof flashing material - 2 in. mounting flange - 1 in. thick 3 lb density insulation - Height - Available from 12 in. to 24 in. as specified in 0.5 in. increments. Notes: - The maximum roof opening dimension should not be greater than the "Actual" top outside dimension minus 2 in.. - The minimum roof opening dimension should be at least 2.5 in. more than the damper dimension or recommended duct size. - The Roof Opening Dimension may or may not be the same as the Structural Opening Dimension.



0.25:12 PITCH

Notes: All dimensions shown are in units of in.



Model: GPIP

Pitched Roof Curb

Standard Construction Features:

0.25:12 PITCH

- Roof Curb fits between the building roof and the fan mounted directly to the roof support structure - Constructed of either 18 ga galvanized steel or 0.064 in. aluminum - Designed for pitched roofs - Straight sided without a cant - Wood nailer for attachment of roof flashing material - 2 in. mounting flange - 1 in. thick 3 lb density insulation - Height - Available from 12 in. to 24 in. as specified in 0.5 in. increments. Notes: - The maximum roof opening dimension should not be greater than the "Actual" top outside dimension minus 2 in.. - The minimum roof opening dimension should be at least 2.5 in. more than the damper dimension or recommended duct size. - The Roof Opening Dimension may or may not be the same as the Structural Opening Dimension.

General

Tag	Qty	Model	Sizing Method	Undersizing (in.)	Pitch (in.)	Pitch Run	Weight (lb)	Shipped Assembled	Union Label
	1	GPIP-24	Nominal	1	0.25	Short Side	26	Yes	No Preference

Dimensions

Curb Height (in.)	Nominal Outside Width (in.)	Nominal Outside Length (in.)	Actual Outside Width (in.)	Actual Outside Length (in.)	Actual Inside Width (in.)	Actual Inside Length (in.)	Hinge Base Width* (in.)	Hinge Base Length* (in.)
12	24	25.25	23	24.25	19.5	20.75	23	24.25

*May not be applicable

Accessories

Material	Security Bars	Liner	Insulation (in.)	Insulation R Value
Galvanized	No	No	1	R4.3

Constant Volume

Accurex Kitchen Controls

Standard Construction Features:

Includes control system, Fan Starters (unless otherwise stated), Temperature Sensors, Touchscreen. IMC 507.1.1 compliant. UL/ULC Listed.

Options & Accessories:

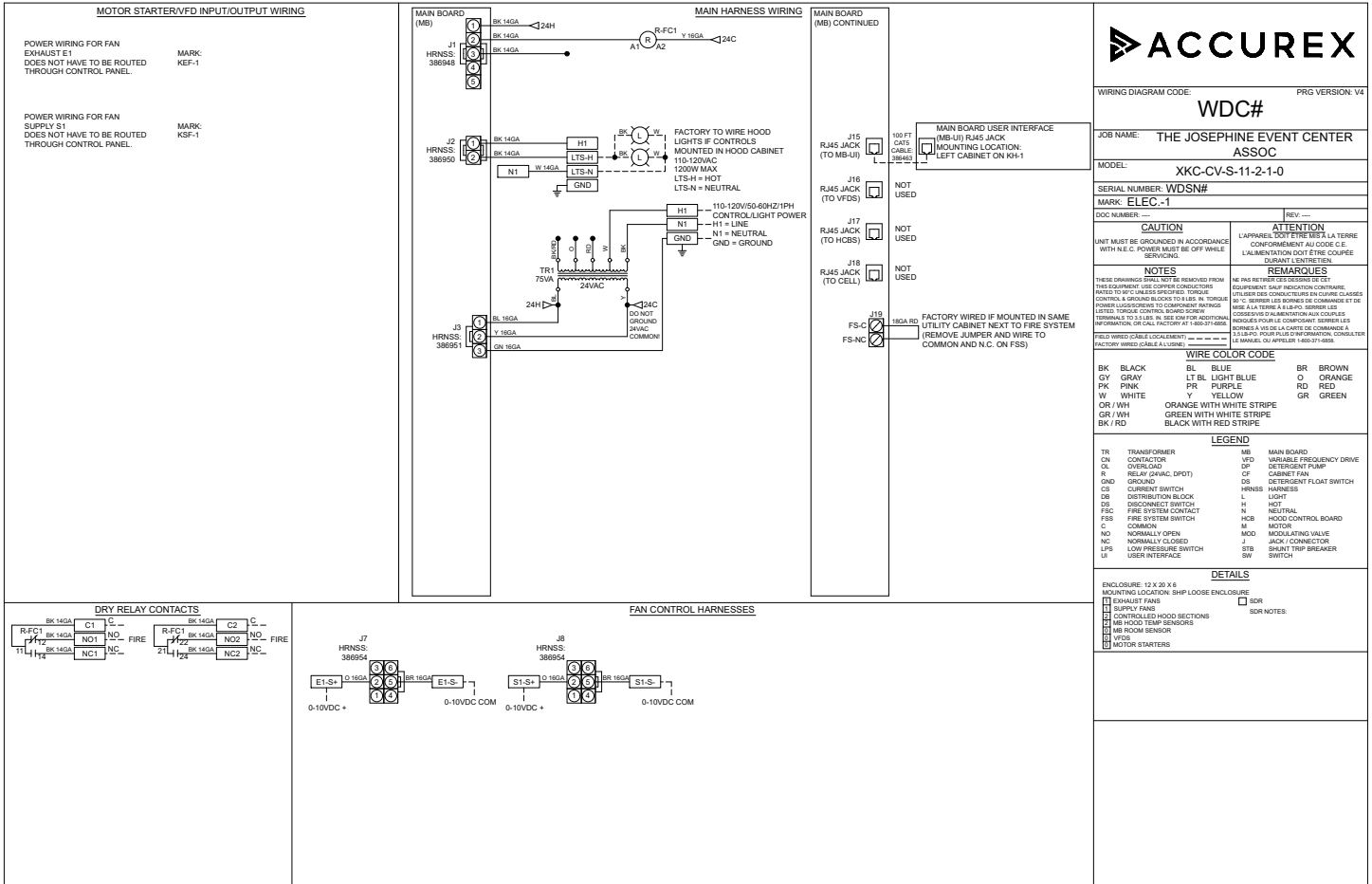
Mounting Option	Ship Loose Enclosure - (12 x 20 x 6)
Exhaust Fan Quantity	1
Supply Fan Quantity	1
Hood Light Control	Yes
User Interface	Full Color Touchscreen
Touchscreen Mounting Location	Utility Cabinet - Left End of Hood - Left Cabinet on Kh-1
Additional Fire Contacts	Additional set of dry contacts (2 NO, 2 NC Total)
Exhaust During Fire	Exhaust fans will run at max speed when in fire mode

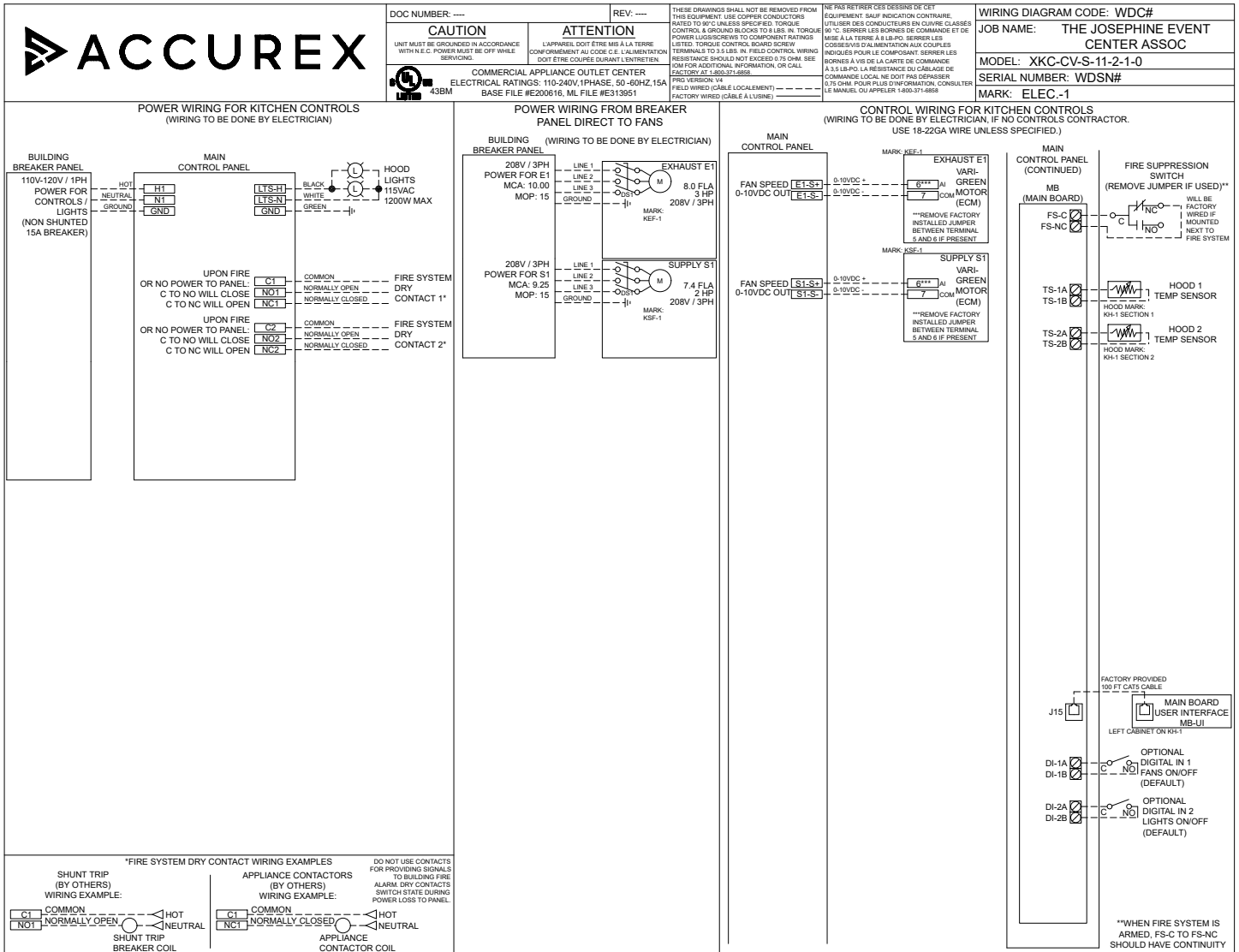
Controlled Fans:

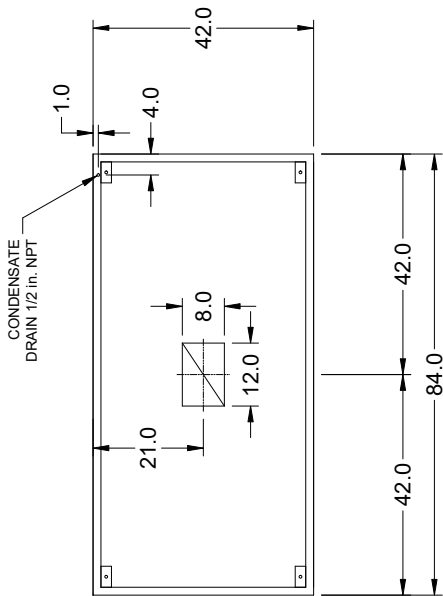
Fan Mark	Fan Type	Supplied By	Phase	HP	Voltage	NEC FLA	Starter/VFD Required	Starter/VFD Provided
Kef-1	Exhaust	Manufacturer	3	3	208	10.6	No	No
Ksf-1	Supply	Manufacturer	3	2	208	7.5	No	No

Controlled Hood Sections and Fan Relationships:

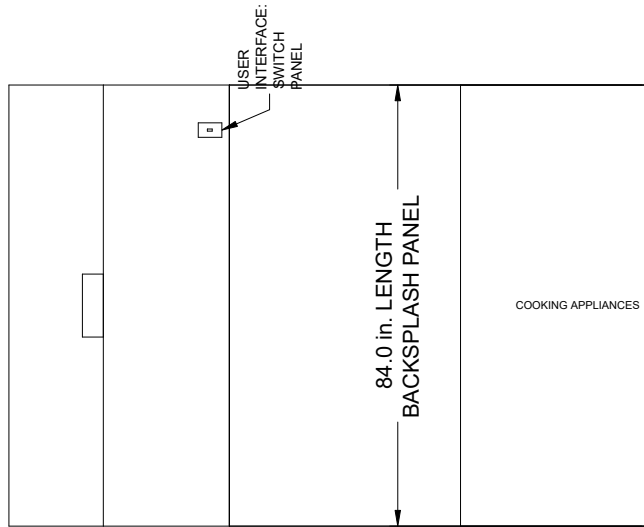
Kh-1 Section - Number of Sensors = 1	
	Exhaust Fan Name - Kef-1
	Supply Fan Name - Ksf-1
Kh-1 Section - Number of Sensors = 1	
	Exhaust Fan Name - Kef-1
	Supply Fan Name - Ksf-1







MARK: Dh-1 - SECTION 1
 PLAN VIEW



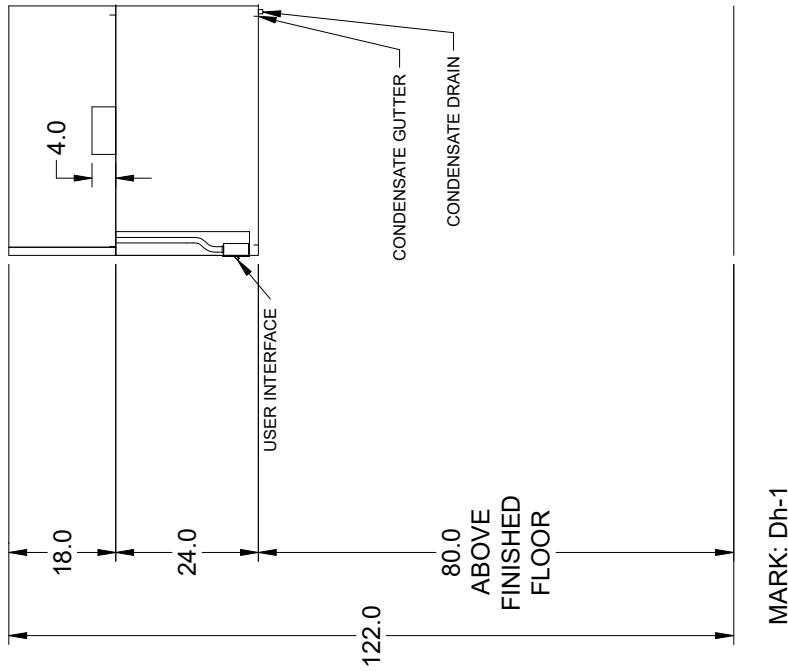
MARK: Dh-1 - SECTION 1
 ELEVATION VIEW

NOTE: All dimensions are in units of in.



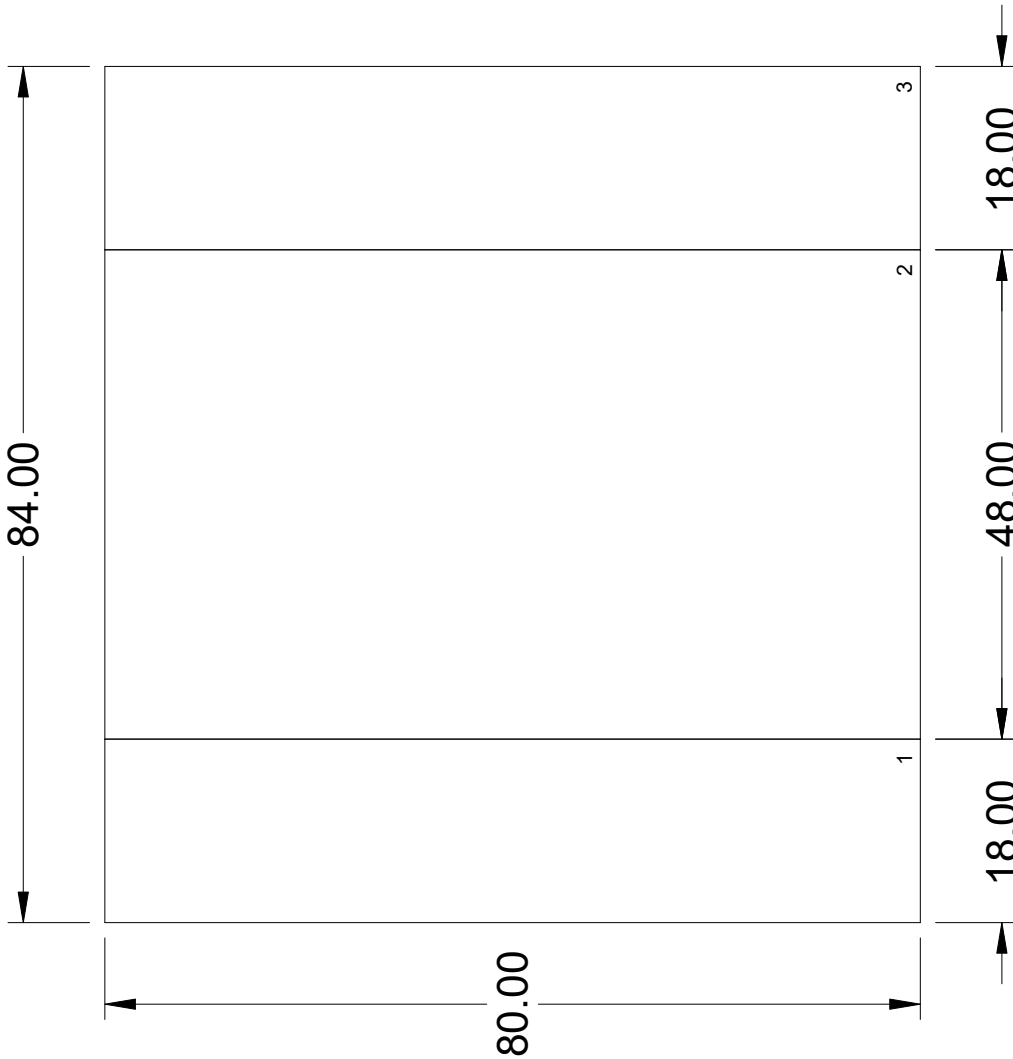
Hanger Bracket Locations			
Sec #	Brkt #	Distance Off Left (in)	Distance Off Front (in)
1	1	3.50	2.50
1	2	80.50	2.50
1	3	3.50	39.50
1	4	80.50	39.50

Bracket Mounting Position for a 4 Bracket Hood	
3	4
BACK	2
FRONT	1



NOTE: All dimensions are in units of in.





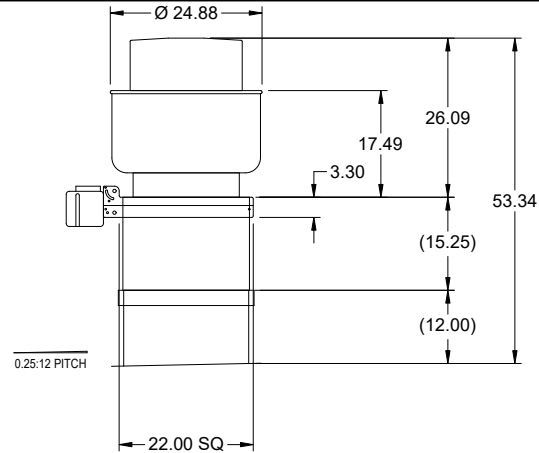
BACK SPLASH - FLAT

NOTE: All dimensions are in units of in.



Model: XCUE-100-VG

Direct Drive Upblast Centrifugal Roof Exhaust Fan



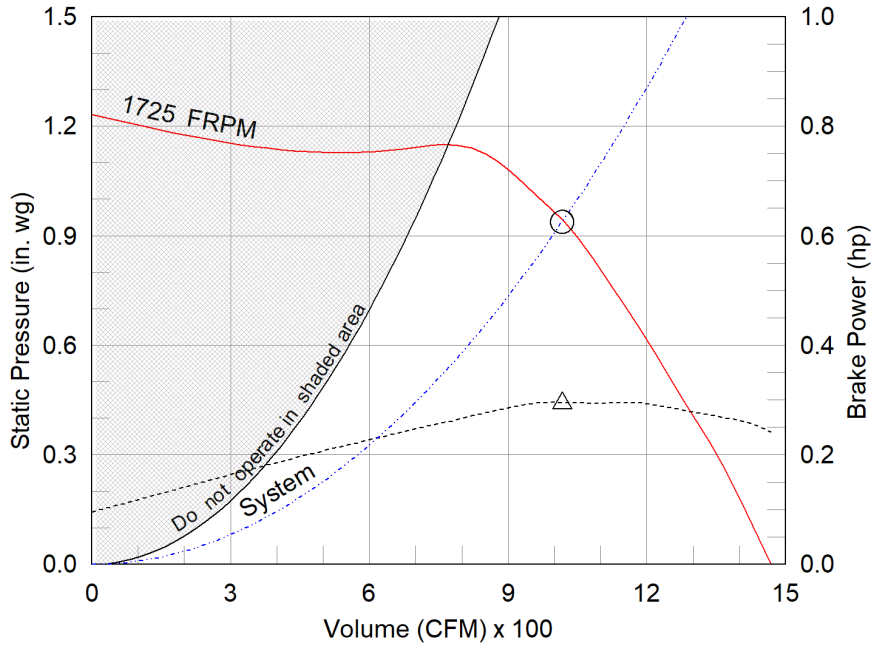
Dimensional	
Quantity	1
Weight w/o Acc's (lb)	47
Weight w/ Acc's (lb)	79
Weight w/ Acc's and Curb (lb)	102
Standard Curb Cap Size (in.)	22 x 22
Roof Opening (in.)	18.5 x 18.5

Performance	
Requested Volume (CFM)	1,050
Actual Volume (CFM)	1,017
Total External SP (in. wg)	0.938
Fan RPM	1725
Operating Power (hp)	0.29
Elevation (ft)	10
Airstream Temp.(F)	70
Air Density (lb/ft3)	0.075
Tip Speed (ft/min)	5,024
Static Eff. (%)	51

Misc Fan Data	
Fan Energy Index (FEI)	-
Outlet Velocity (ft/min)	795

Motor	
Motor Mounted	Yes
Size (hp)	1/4
Voltage/Cycle/Phase	115/60/1
Enclosure	TENV
Motor RPM	1725
Efficiency Rating	High
Windings	1
FLA (Amps)	3.5
Min. Circuit Ampacity (MCA)	4
Max. Overcurrent Protection (MOP)	15
Short Circuit Current Rtg (SCCR)	5 kA

OVERALL HEIGHT MAY BE GREATER DEPENDING ON MOTOR, ADAPTER, AND/OR HINGE BASE.



- △ Operating Bhp point
- Operating point at Total External SP
- Fan curve
- - - System curve
- - - Brake horsepower curve

Static Pressure Calculations

External SP	1 in. wg
Direct Drive RPM Adjustment	-0.062 in. wg
Total External SP	0.938 in. wg

Notes:

All dimensions shown are in units of in.
 *NEC FLA, MCA and MOP are for reference only – based on tables 430.248 or 430.25 of National Electric Code 2020. Actual motor FLA may vary, for sizing thermal overload, consult factory.
 MCA and MOP values shown only account for the motor, not accessories (damper actuator, field supplied VFD, etc).
 LwA - A weighted sound power level, based on ANSI S1.4
 dBA - A weighted sound pressure level, based on 11.5 dB attenuation per Octave band at 5 ft - dBA levels are not licensed by AMCA International
 Sones - calculated using ANSI/AMCA 301 at 5 ft

Sound Power by Octave Band

Sound Data	62.5	125	250	500	1000	2000	4000	8000	LwA	dBA	Sones
Inlet	70	72	75	68	61	62	57	52	71	59	9.9



Model: XCUE-100-VG

Direct Drive Upblast Centrifugal Roof Exhaust Fan

Standard Construction Features:

- Aluminum housing - Backward curved composite (sizes 60-95) or aluminum (sizes 99-300) wheel - Aluminum curb cap with prepunched mounting holes - Drain trough - Ball bearing motors (sizes 85-300 and all Vari Green), sleeve bearing motors (sizes 60-80) - Motor isolated on shock mounts - Corrosion resistant fasteners - Removable power pack - Tool-less hood entry

Selected Options & Accessories:

Motor - Vari-Green EC motor
Control - Dial for balancing
Larger Curb Cap Size - 22 Square
UL/cUL 705 Listed - Supplement SC - "Power Ventilators for Restaurant Exh. Appliances" (Formerly UL 762)
Switch, NEMA-3R, Toggle, Junction Box Mounted & Wired
Curb Extension-Galv., VCE-22-G15.25, Shipped Loose From Factory
Hinge, Factory Installed
High Temp Curb Seal Rated for Continuous Duty at 1500 F (Factory Attached)
Grease Trap (PN 475538)
Aluminum Wheel Material
Unit Warranty: 1 Yr (Standard)

Selected Sub Marks

See individual submittals for full details
GPIP-22-G12

The Vari-Green Motor included in this order has a 'Multi-Voltage' ability. The red wire on the motor is called a 'Voltage Doubler', and when it is connected the motor can be powered by 115V.

If the Red wire is disconnected, then the motor can be powered with 208-230/277V. The motor will leave the factory with the voltage doubler wired per the order.

Vari-Green Motor & Control Options

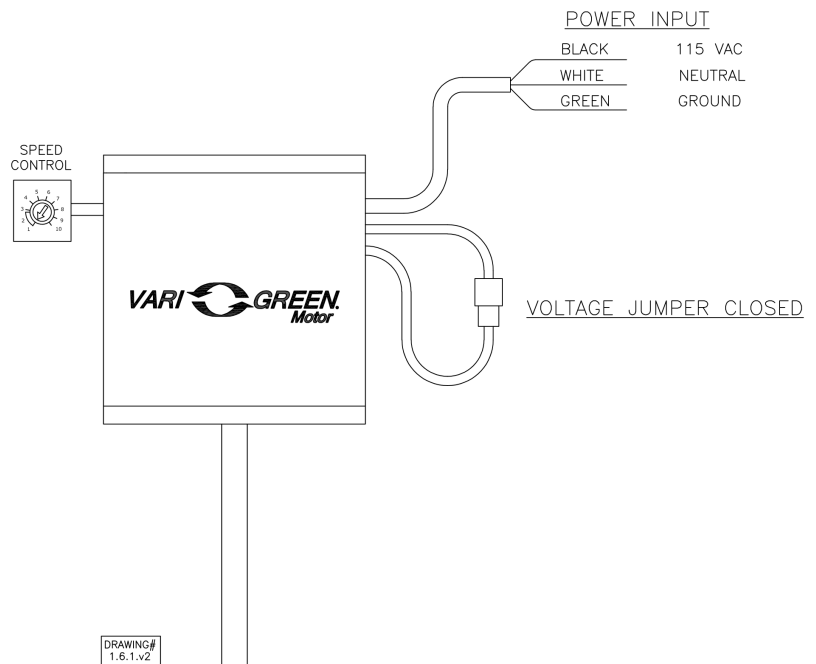
An EC motor that uses AC input power and internally converts it to DC power. Potentiometer (dial) mounted on the motor enclosure adjusts the speed (RPM) down 80%. Vari-Green motors feature a soft-start and inherent thermal and current protection built into each unit. Inrush current at start up is eliminated and the motor will automatically reduce speed or turn off if overloaded or it becomes too hot.

Motor Configuration

Input Voltage: 115
 Speed Reference: Dial on Motor
 Permanent Dial: Yes

Control Configuration

Control Type: Dial on Motor
 Transformer: None

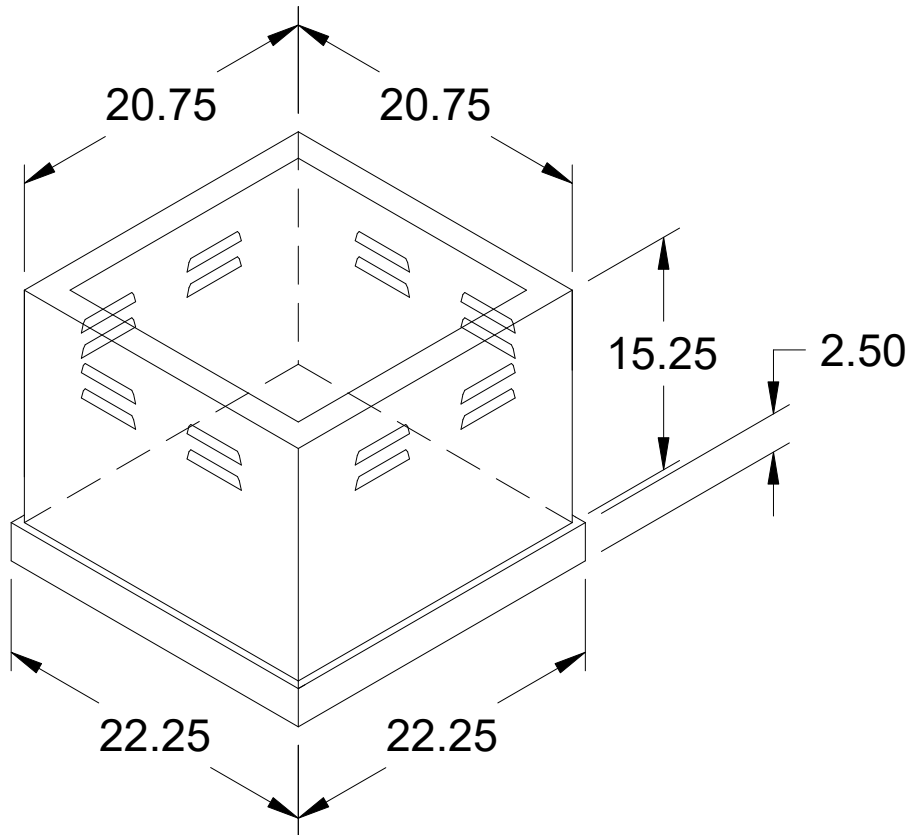


Vented Curb Extension

Model: VCE

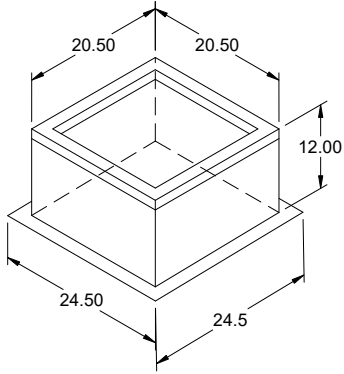
Standard Construction Features:

- Curb Extension mounts between the fan and the roof curb - Constructed of either 18 ga galvanized or optional 0.064 in. aluminum - Louvered vents are designed to vent heat in restaurant exhaust applications - Designed to provide required 18 in. minimum discharge height above roof line when used with an 8 in. high roof curb and Accurex model spun aluminum upblast exhaust fan per NFPA 96. NOTE: Damper Trays are not available.



ISOMETRIC VIEW

Notes: All dimensions shown are in units of in.



Model: GPIP

Pitched Roof Curb

Standard Construction Features:

0.25:12 PITCH

- Roof Curb fits between the building roof and the fan mounted directly to the roof support structure - Constructed of either 18 ga galvanized steel or 0.064 in. aluminum - Designed for pitched roofs - Straight sided without a cant - Wood nailer for attachment of roof flashing material - 2 in. mounting flange - 1 in. thick 3 lb density insulation - Height - Available from 12 in. to 24 in. as specified in 0.5 in. increments. Notes: - The maximum roof opening dimension should not be greater than the "Actual" top outside dimension minus 2 in.. - The minimum roof opening dimension should be at least 2.5 in. more than the damper dimension or recommended duct size. - The Roof Opening Dimension may or may not be the same as the Structural Opening Dimension.

General

Tag	Qty	Model	Sizing Method	Undersizing (in.)	Pitch (in.)	Pitch Run	Weight (lb)	Shipped Assembled	Union Label
	1	GPIP-22	Nominal	1.5	0.25	Long Side	23	Yes	No Preference

Dimensions

Curb Height (in.)	Nominal Outside Width (in.)	Nominal Outside Length (in.)	Actual Outside Width (in.)	Actual Outside Length (in.)	Actual Inside Width (in.)	Actual Inside Length (in.)	Hinge Base Width* (in.)	Hinge Base Length* (in.)
12	22	22	20.5	20.5	17	17	21	21

*May not be applicable

Accessories

Material	Security Bars	Liner	Insulation (in.)	Insulation R Value
Galvanized	No	No	1	R4.3

Switches Only

Switches Only

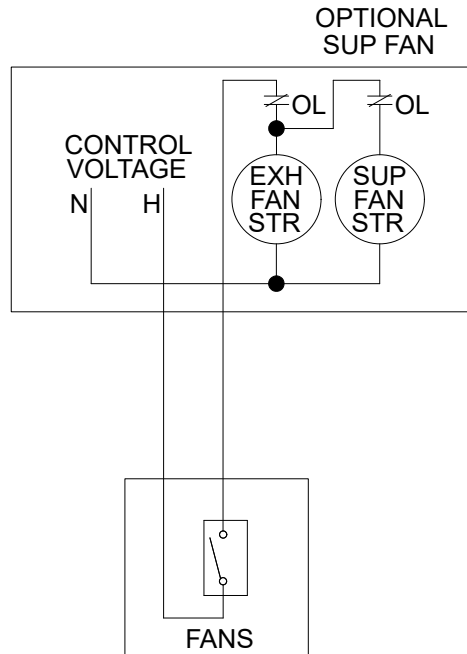
Standard Construction Features:

Switches to be used to control kitchen ventilation systems.

Options & Accessories:

Mounting Location	
Fan Switch	1 - 2 Position Fan Switch
Switch Mounting Location	Face Mount Right Side of Hood - Dh-1 Section 1

TYP. SWITCH PANEL 'F' INSTALLATION DETAIL



FAN STARTERS
BY OTHER

SWITCHES HOOD MOUNTED
OR REMOTE MOUNTED

SWITCHES RATED
FOR 277V AND 15A MAX