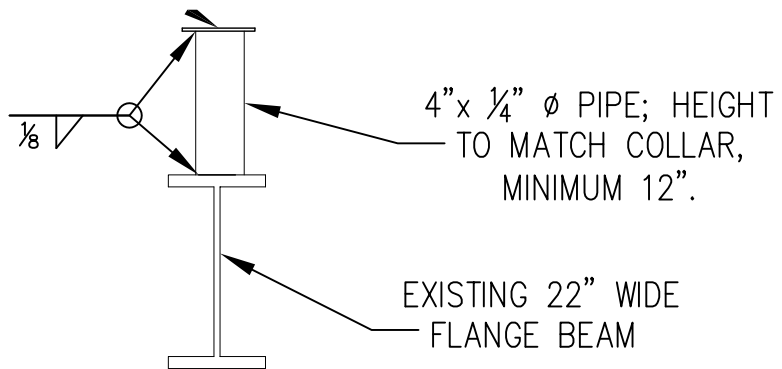


SEE DETAIL C FOR CURB.

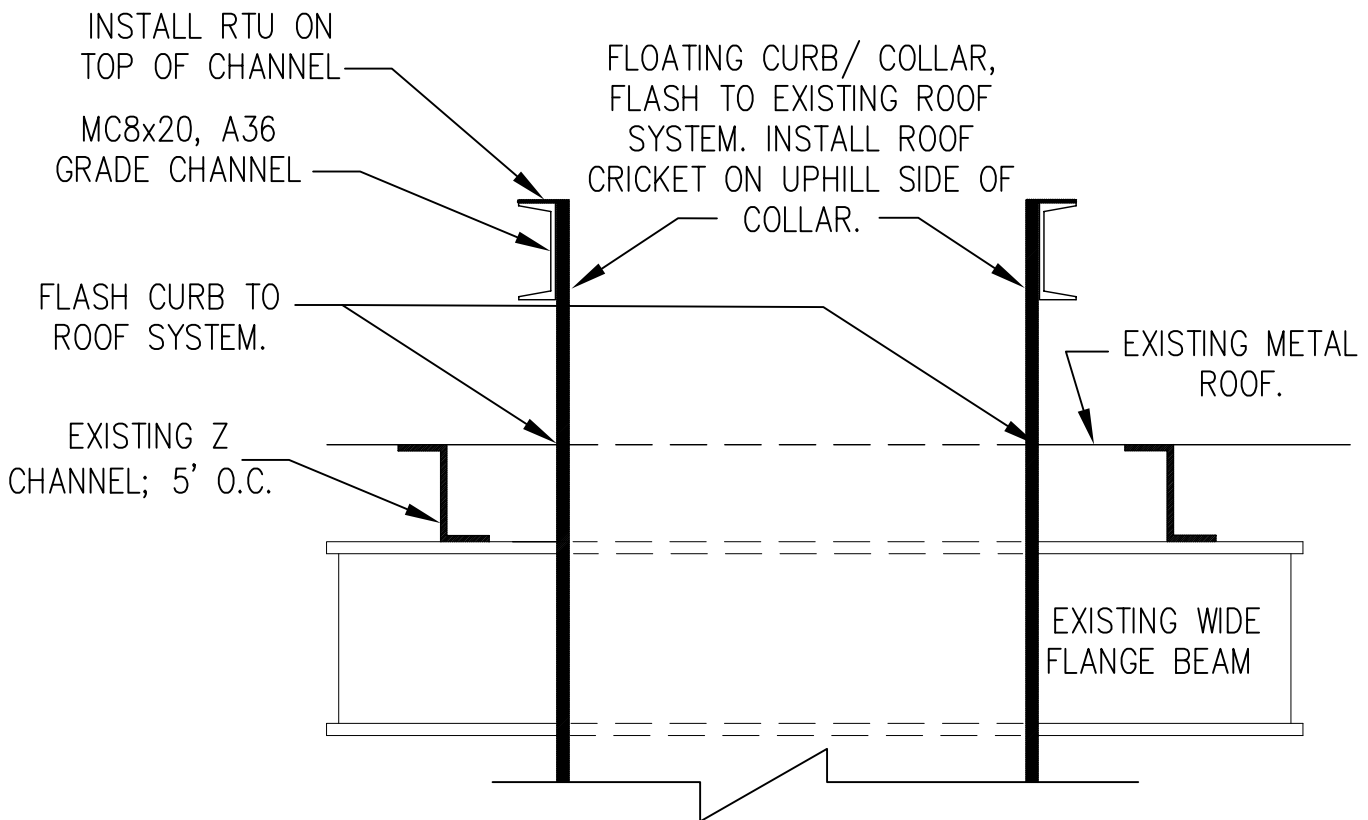
LENGTH = APPROX. 30ft
 PROTECT ALL EXPOSED EXTERIOR STRUCTURAL STEEL WITH A HIGH PERFORMANCE EPOXY SYSTEM EQUAL TO SHERWIN WILLIAMS

NEW MC8x20 CHANNEL

532 GAUSE BLVD. RTU SUPPORT
 DETAIL A



532 GAUSE BLVD. RTU SUPPORT DETAIL B



532 GAUSE BLVD. RTU SUPPORT DETAIL C