

DAMMON ENGINEERING, INC.

EMMETT DAMMON

ARCHITECT ROBERT WILTSE

1095 FLORIDA AVENUE
SLIDELL, LA. 70458
985-649-5832

WEBSITE:
WWW.DAMMONENGINEERING.COM

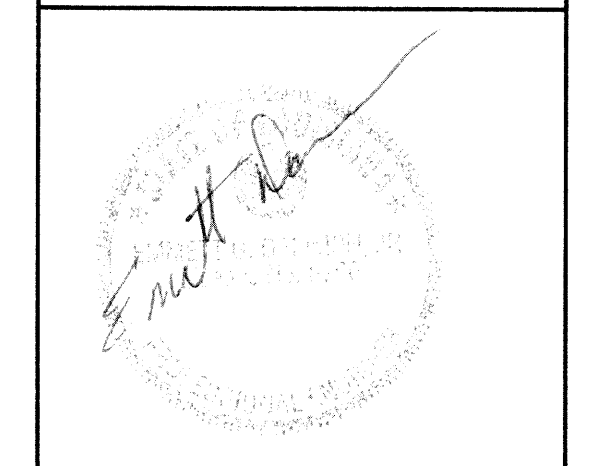
EMAIL:
DAMMONENG@BELLSOUTH.NET

ARCHITECTURE
ENGINEERING
STUDIES
PLANNING
INVESTIGATION
EXPERT WITNESS

MARCO'S PIZZA TENANT BUILDOUT

4638 Hwy. 22
Mandeville
Louisiana
70471-2820

MECHANICAL DETAILS



SCALE: AS NOTED

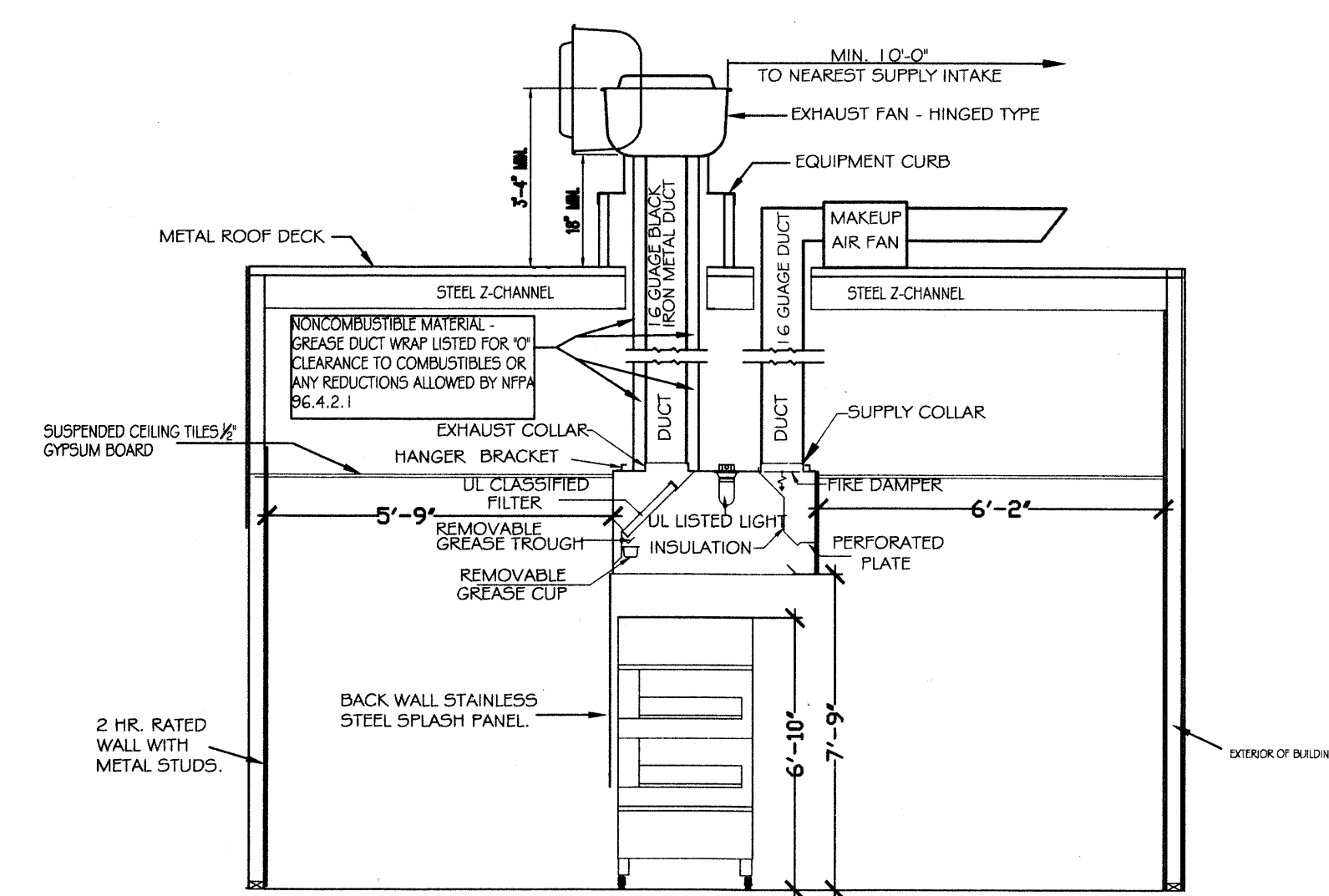
JOB#: 2107

DATE: 5-25-11

SHEET 6

M-2

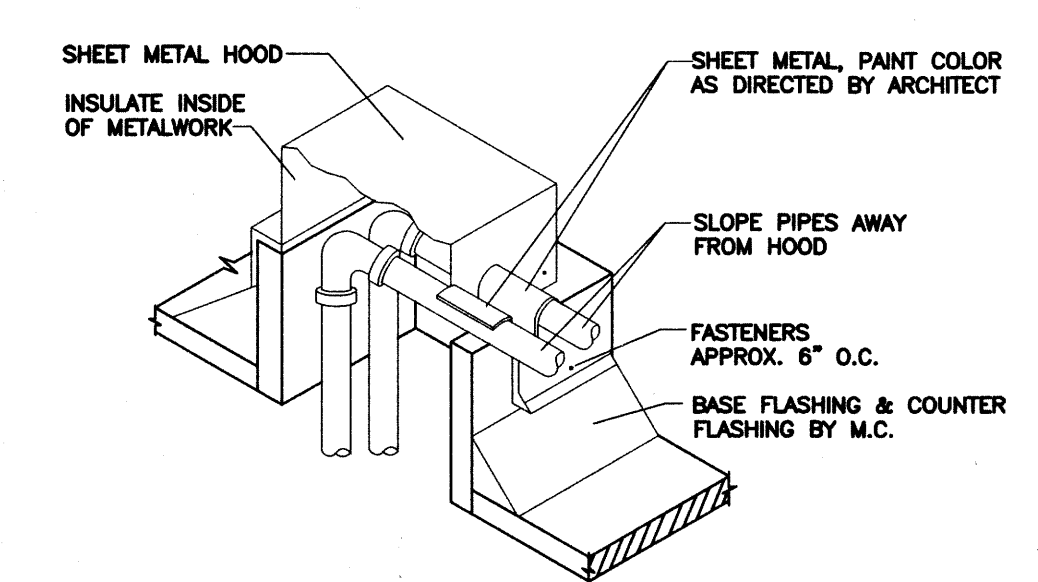
OF 11 349333



TYPICAL MARCO'S PIZZA HOOD & DUCT INSTALLATION
W/CLEARANCE REDUCTION MATERIALS TO PROTECT COMBUSTIBLES
N.T.S

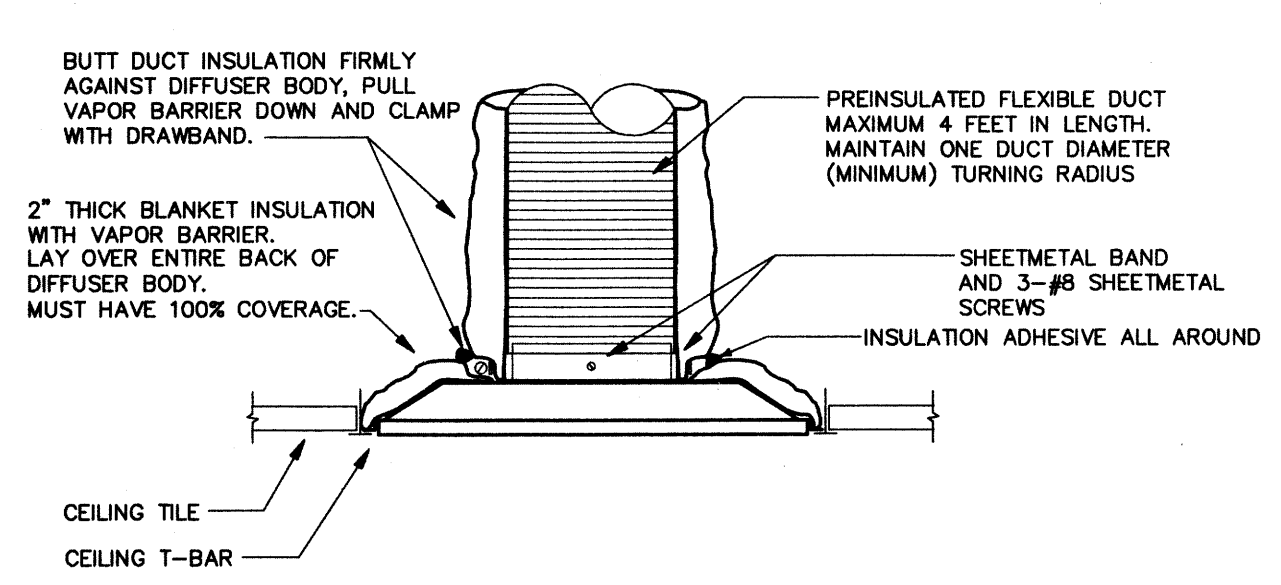
HOOD NO.	MODEL	LGTH	WTH	MAX COOKING TEMP.	AIR REQUIREMENTS				SUPPLY COLLAR				HOOD CONSTRUCTION	HOOD CONFIGURATION	PLENUM	CEILING ENCLOSURE													
					QTY	W	L	CFM	S.P.	QTY	W	L					CFM	S.P.											
1	SC	11'-0"	72"	350 DEG	1	14"	14"	3300	625"	3300	1	10"	36"	2310	25"	2310	430 S/S	-	-	-	-	-	-	-	-	-	-	-	-

48" TALL BACK WALL SPLASH PANEL PROVIDED WITH HOOD

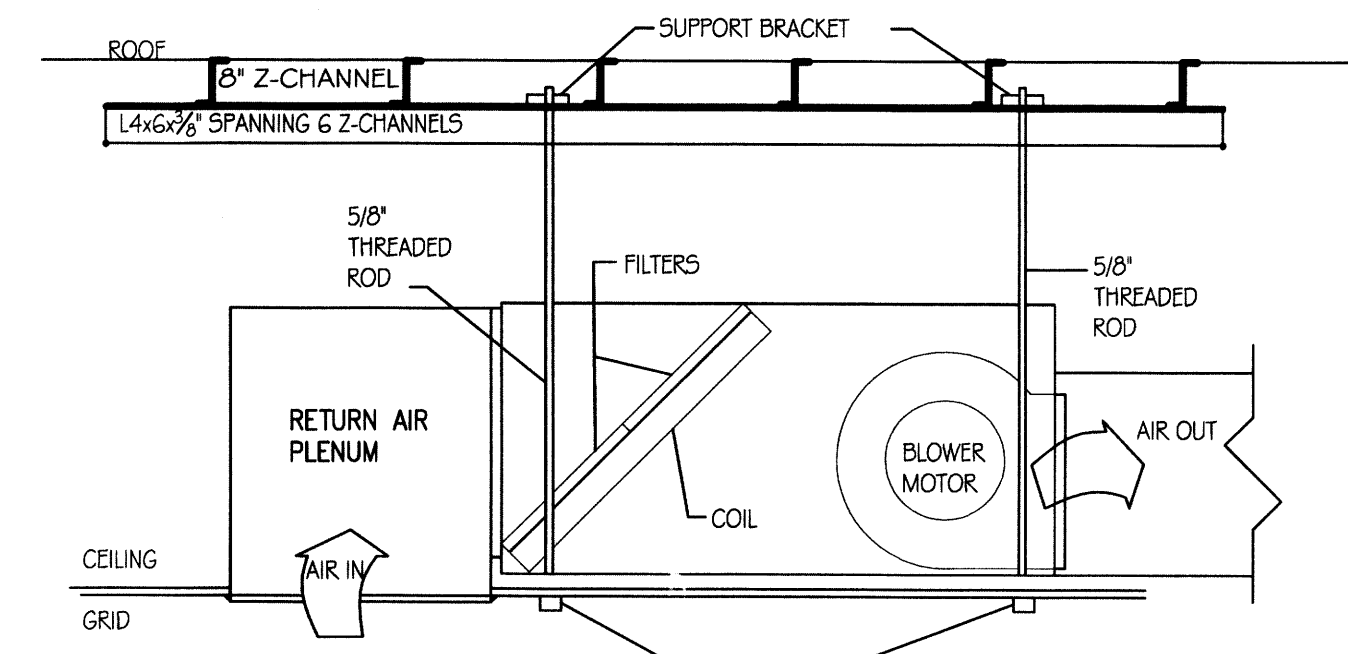


REFRIGERANT LINE/CONDUIT PIPE CURB DETAIL
NOT TO SCALE

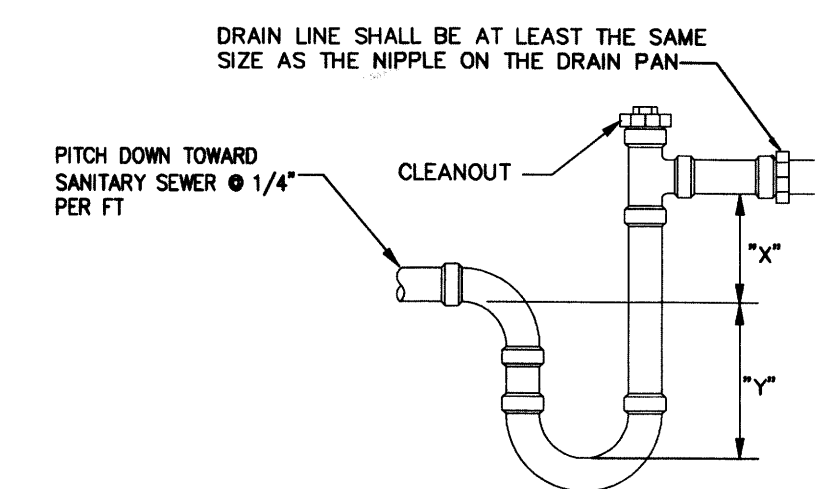
NOTE: MECHANICAL CONTRACTOR SHALL FURNISH AND INSTALL PIPE CURB. COORDINATE SIZE OF CURB WITH ELECTRICAL CONTRACTOR SO AS TO PROVIDE ADEQUATE CLEARANCE FOR NEW AND FUTURE REFRIGERANT LINES AND CONDUIT.



LAY IN DIFFUSER DETAIL
NOT TO SCALE

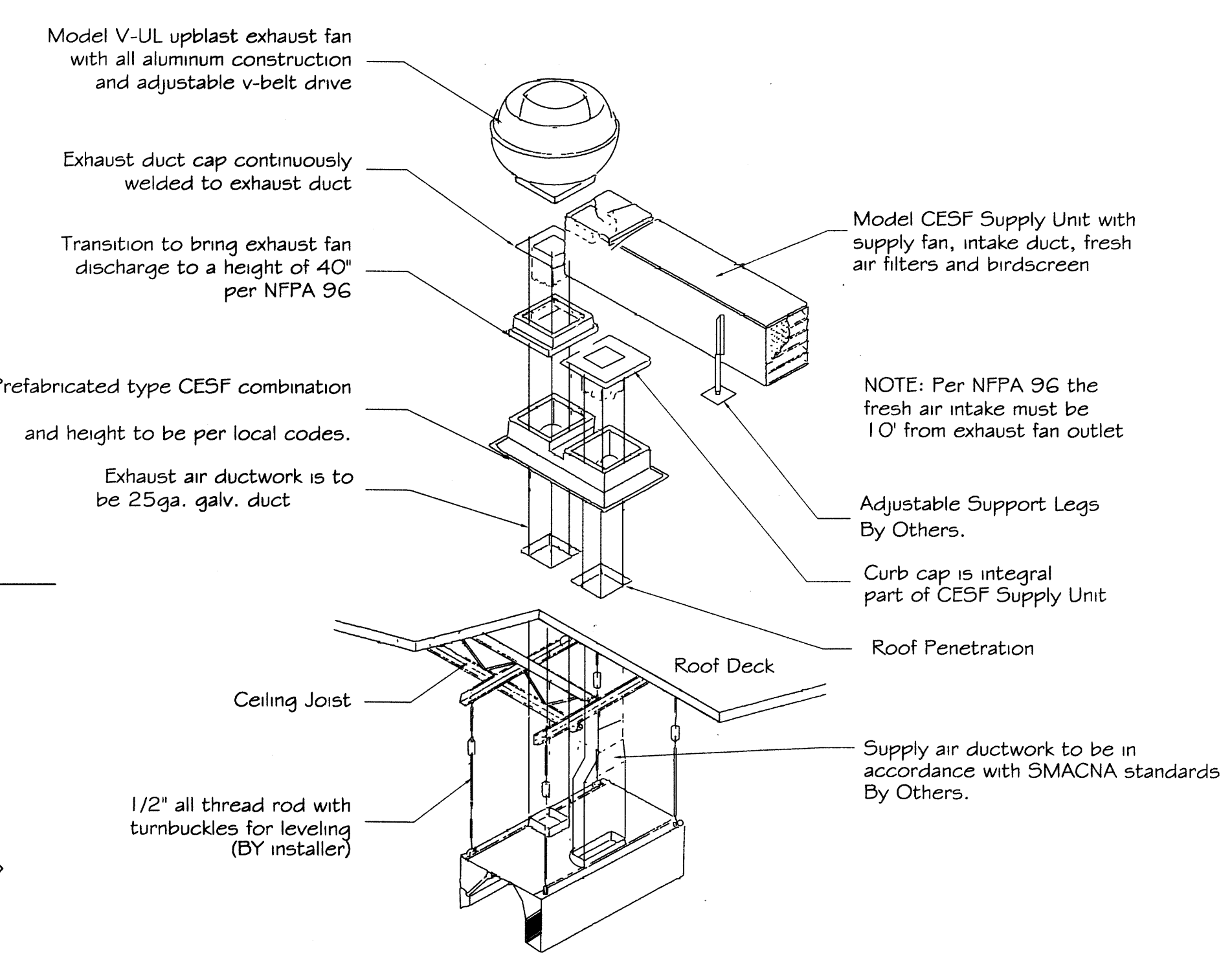


TYPICAL AIR HANDLING UNIT DETAIL
NOT TO SCALE



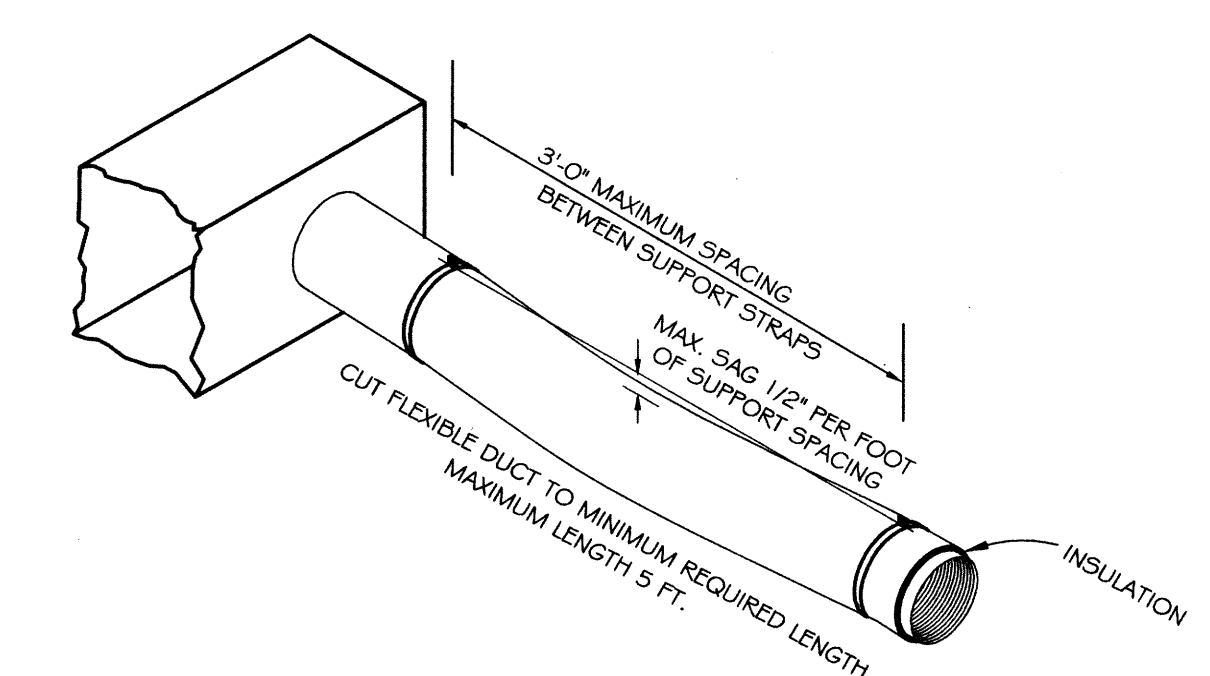
CONDENSATE TRAP DETAIL
NOT TO SCALE

NOTES:
LENGTHS "X" AND "Y" SHALL BE DETERMINED BY ROOFTOP UNIT EQUIPMENT BASED ON TOTAL STATIC PRESSURE.
"X" AND "Y" SHALL BE EQUAL TO MINIMUM 1/2 TOTAL UNIT STATIC PRESSURE.
ALL CONDENSATE PIPING SHALL BE SLOPED AT 1/4" PER FOOT

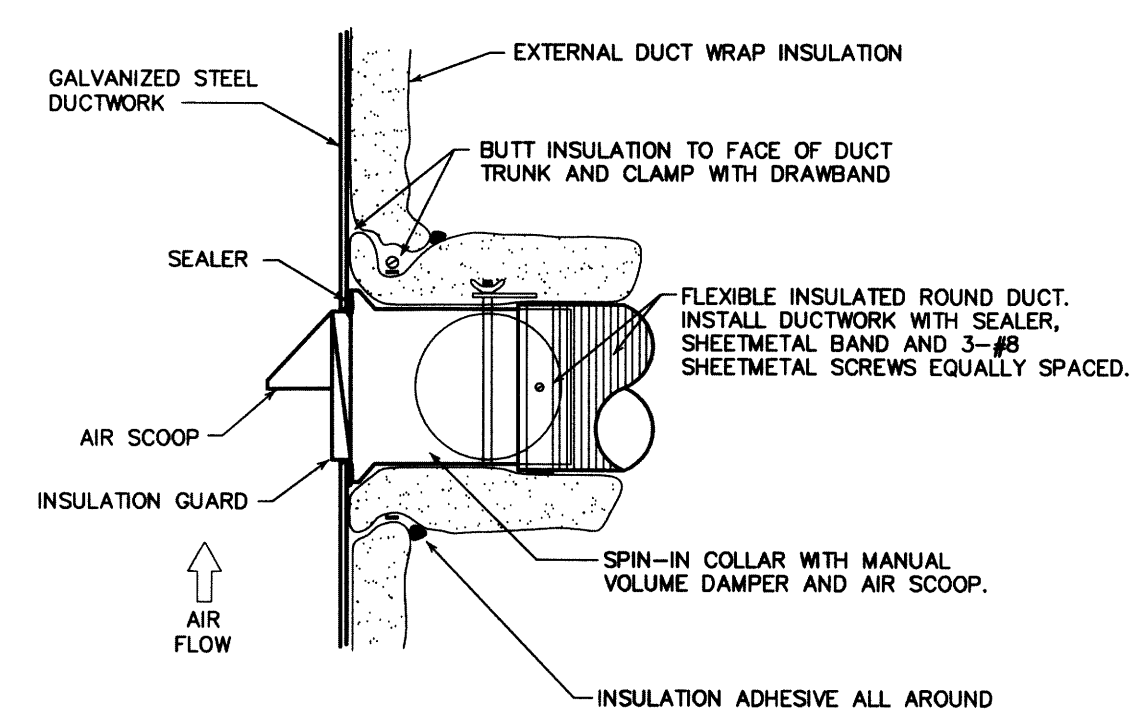


TYPICAL HOOD INSTALLATION

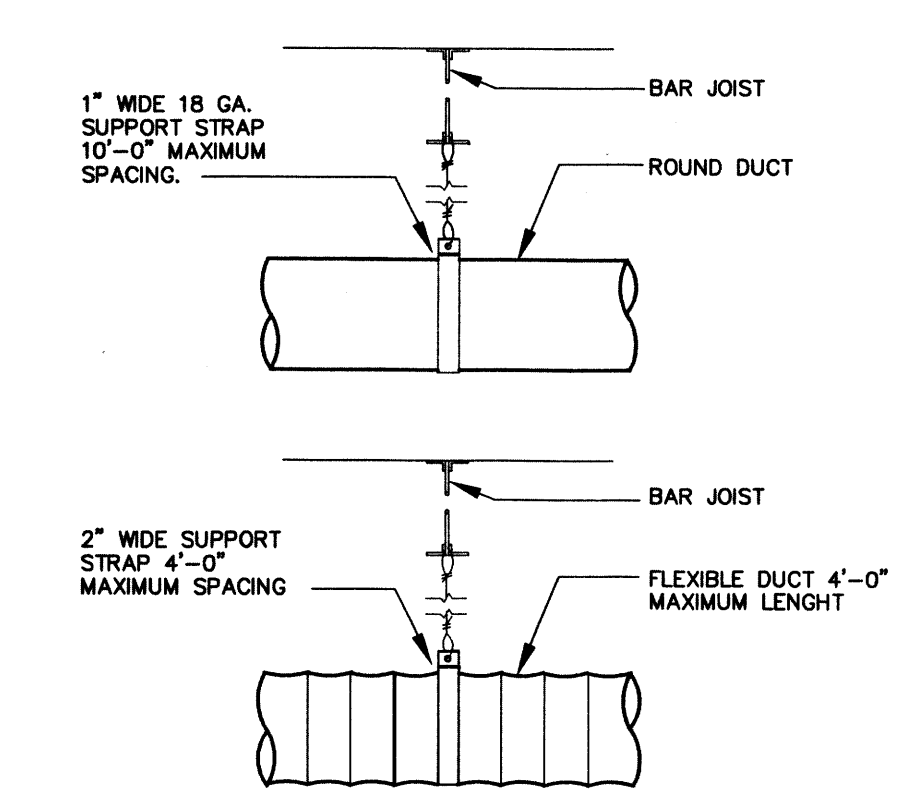
ACW WALL HOOD & CESF ROOF TOP PACKAGE



FLEX DUCT SUPPORT DETAIL
NOT TO SCALE



ROUND DUCT SPIN-IN DETAIL
NOT TO SCALE



DUCT SUPPORT DETAIL
NOT TO SCALE