

DAMMON ENGINEERING, INC.

EMMETT DAMMON

ARCHITECT ROBERT WILTSE

1095 FLORIDA AVENUE SLIDELL, LA. 70458 985-649-5832

WEBSITE: WWW.DAMMONENGINEERING.COM

EMAIL: DAMMONENG@BELLSOUTH.NET

ARCHITECTURE

ENGINEERING

STUDIES

PLANNING

INVESTIGATION

EXPERT WITNESS

MARCO'S PIZZA TENANT BUILDOUT

4638 Hwy. 22 Mandeville Louisiana 70471-2820

HOOD DETAILS

SCALE: AS NOTED

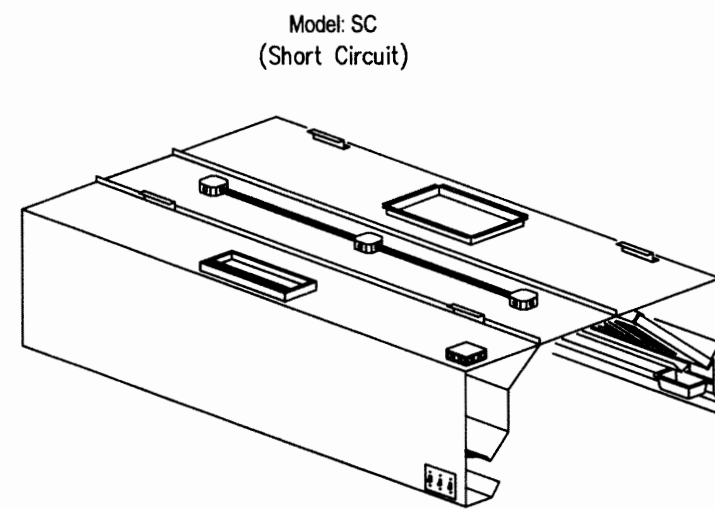
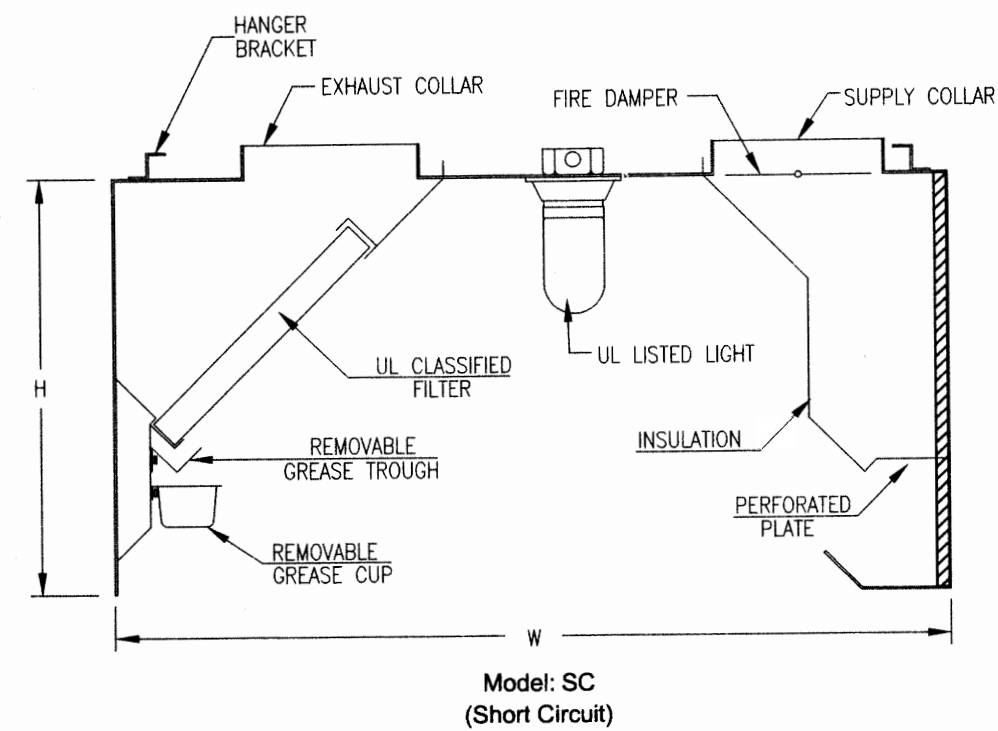
JOB#: 2107

DATE: 5-25-11

SHEET 7

M-3

OF 11



Specifications:

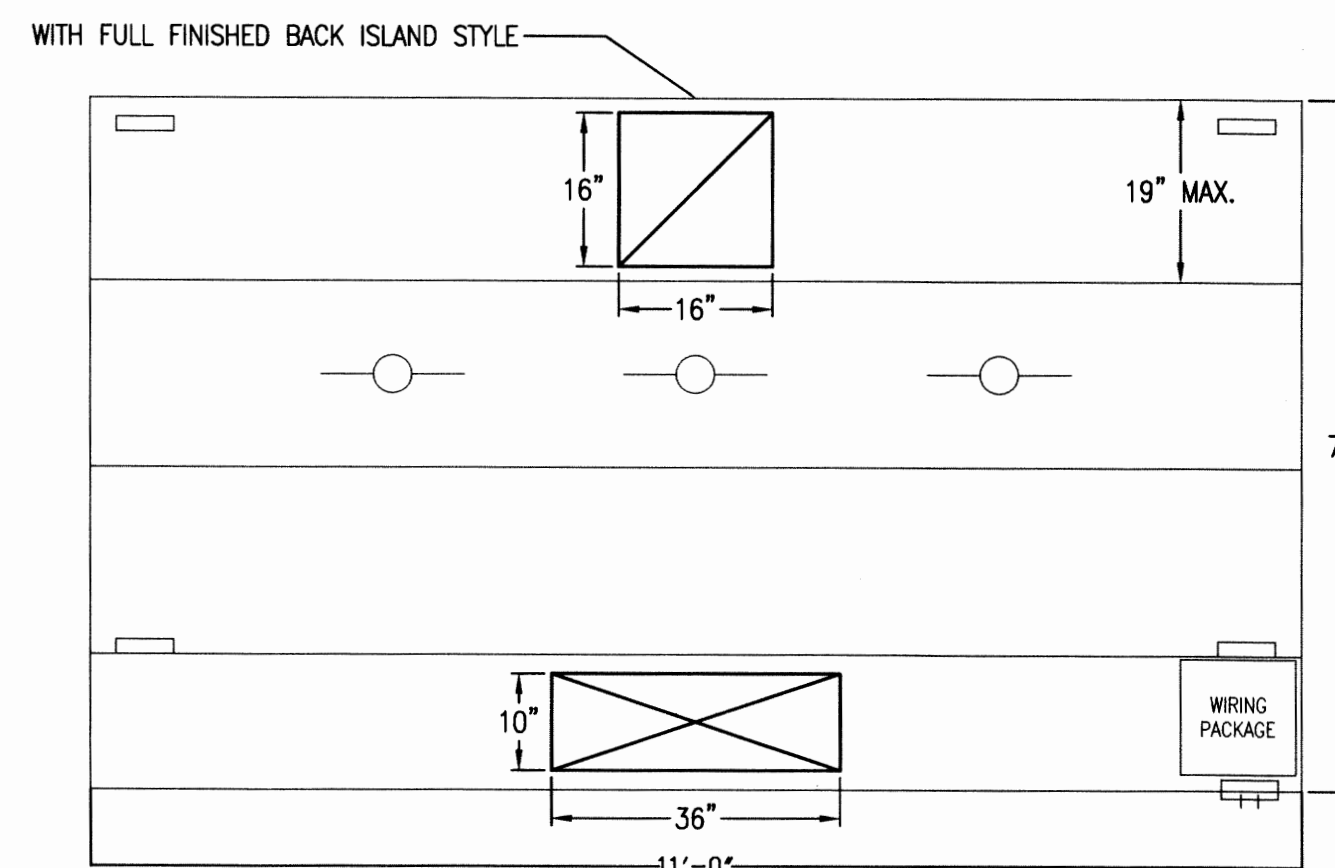
Hood shall be self-compensating type introducing make-up air inside the hood through a full length, self-balancing slot.

The hood shall be fabricated from Type 304 stainless steel, 18 & 20 gauge with #4 polish on all exposed surfaces, and 18 gauge aluminumized steel in concealed areas. The supply plenum shall be lined with 1" thick 3 lb. density foil back insulation, with a flame spread rating of 25 or less as tested by UL 723 to impede condensation from forming on hood surfaces. Supply air plenum shall contain a balancing plate for even distribution of air from one end of the supply slot to the other.

Hood shall be of double wall construction with seams and joints welded and sealed liquid tight, to conform to NFPA 96. Corners of hood shall be trimmed to give the hood a straight, crisp appearance free of warps. 12 gauge hanging brackets for hood shall be on each corner (more brackets as needed for longer hoods). Grease filters shall be UL classified, non-clogging, baffle type, and shall be easily removable for cleaning purposes.

All exhaust plenum surfaces and filters shall drain into a removable grease trough and be conveyed to a removable grease container. Lights shall be installed at approximately 3' intervals and shall be UL listed for use in exhaust hoods. Lights shall be completely pre-wired to a junction box located on top of the hood.

Exhaust collars shall be 16 gauge aluminumized steel and have a 3/4" welding flange for easy field connection. Supply air collar shall be 18 gauge galvanized steel and include a UL Listed fire damper. Control panels shall include on/off toggle type switches, for the control of hood lights and fans. Each fan switch shall have red pilot lights in handle for positive function status identification. Panel shall have stainless steel face plate with each switch identified. The hood shall be constructed in accordance with NFPA bear the NSF Seal of Approval, and be ETL Listed. Hood to be manufactured by LARKIN INDUSTRIES, INC. 1-800-322-4036.



HOOD 1

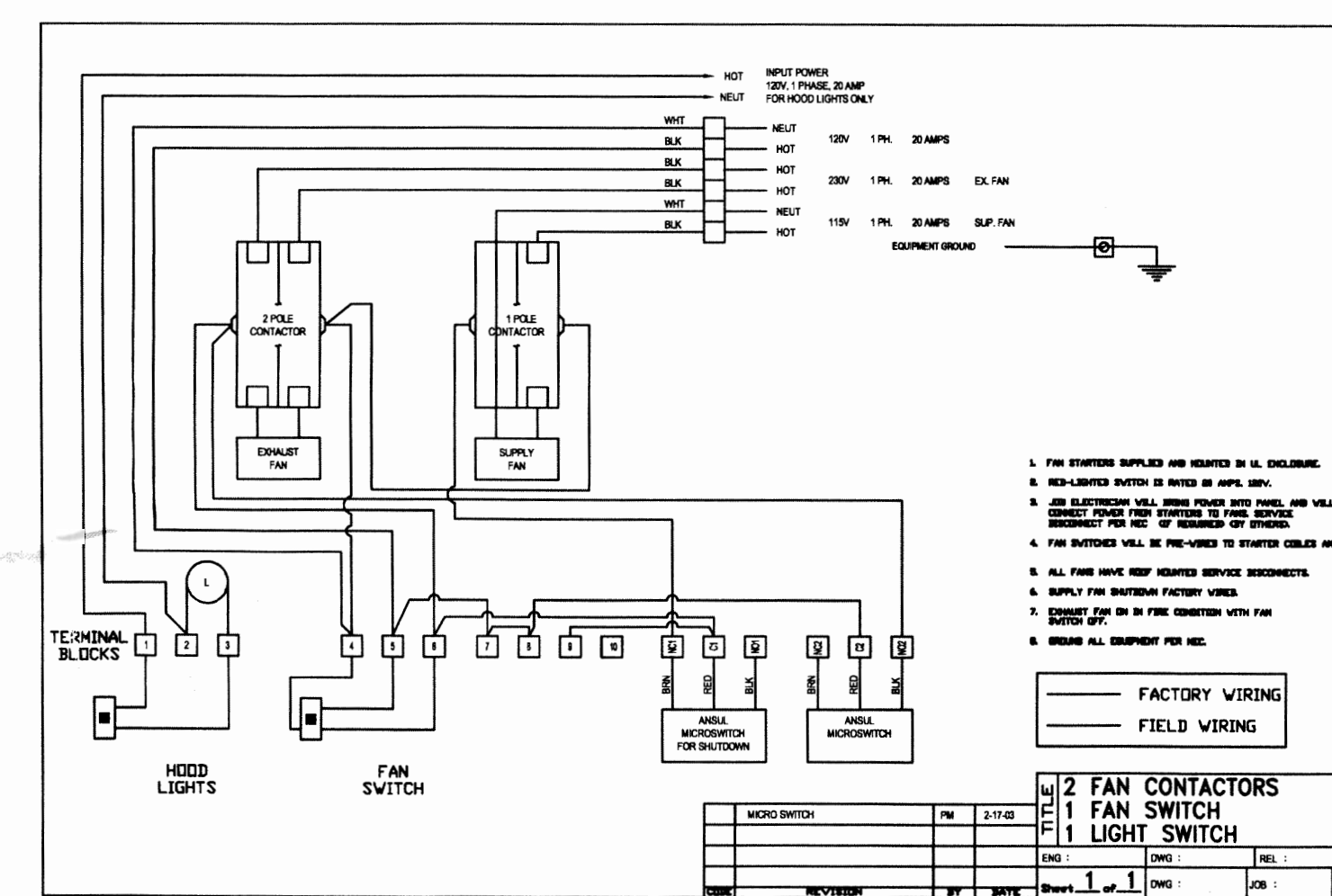
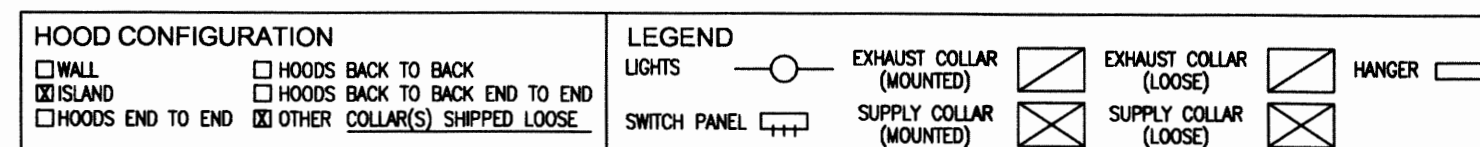


Table with 2 columns: HOOD LIGHTS, FAN CONTACTORS. Includes details for MICRO SWITCH, WIRE, and LIGHT SWITCH.

SUPPLY FAN

FEATURES: HEAVY GAUGE SCREWED TOGETHER HOUSING • EASILY REMOVABLE COVER • CONSTRUCTED OF GALVANIZED STEEL (PAINTING NOT REQUIRED) • DOUBLE INLET SUPPLY BLOWER, BELT DRIVEN, MOUNTED ON VIBRATION INSULATORS • CAST IRON MOTOR AND FAN DRIVES • FACTORY MOUNTED DISCONNECT SWITCH • PERMANENT LUBRICATED BEARINGS • CLEANABLE ALUMINUM MESH FILTERS • ETL LISTED OPTIONAL ACCESSORIES: A) BACK DRAFT DAMPERS B) MANUAL DAMPERS C) MOTORIZED DAMPERS D) SIDE DISCHARGE E) WALL MOUNT BRACKETS F) STARTERS G) ROOF CURBS H) EXTENDED INTAKE

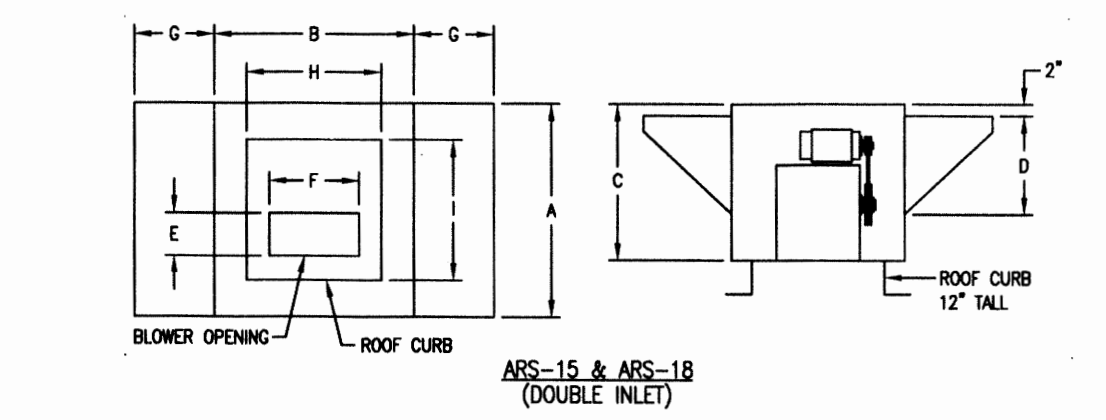
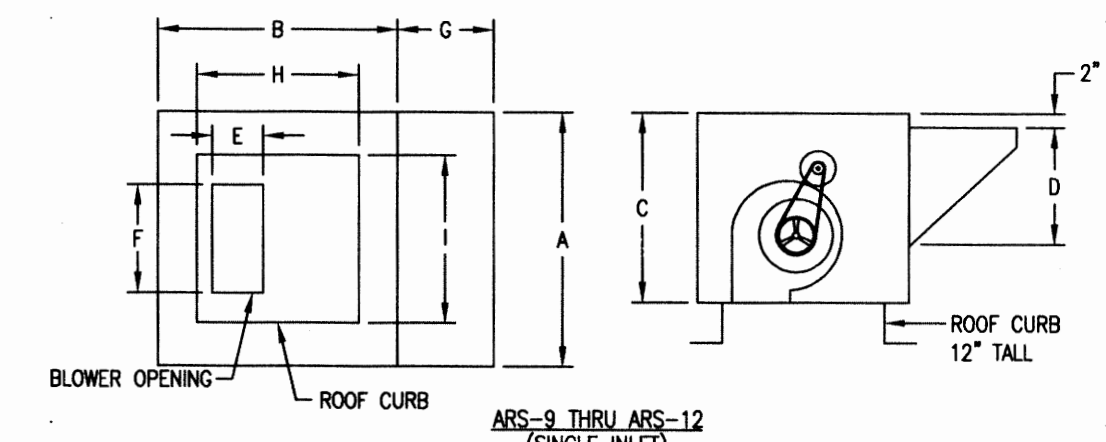


Table with 2 columns: FAN DIMENSIONAL DATA, CURB SIZE. Includes columns for MARK, MODEL, A, B, C, D, E, F, G, H, I, FILTER SIZES.

Table with 2 columns: FAN INFORMATION, MOTOR INFORMATION, OPTIONAL ACCESSORIES. Includes columns for MARK, MODEL, QTY, TYPE, CFM, SP, RPM, HP, VOLTS, CYCLE, PH, TYPE, ACCESSORIES.

EXHAUST FAN

UPRAISED AND HIGH PRESSURE UPRAISED CENTRIFUGAL ROOF VENTILATOR

Larkin Industries, Inc. certifies that the XRUB shown herein are licensed to bear the AMCA Seal. The ratings shown are based on test and procedures performed in accordance with AMCA Publication 211 and AMCA Publication 311 and comply with the requirements of the AMCA Certified Ratings Program.

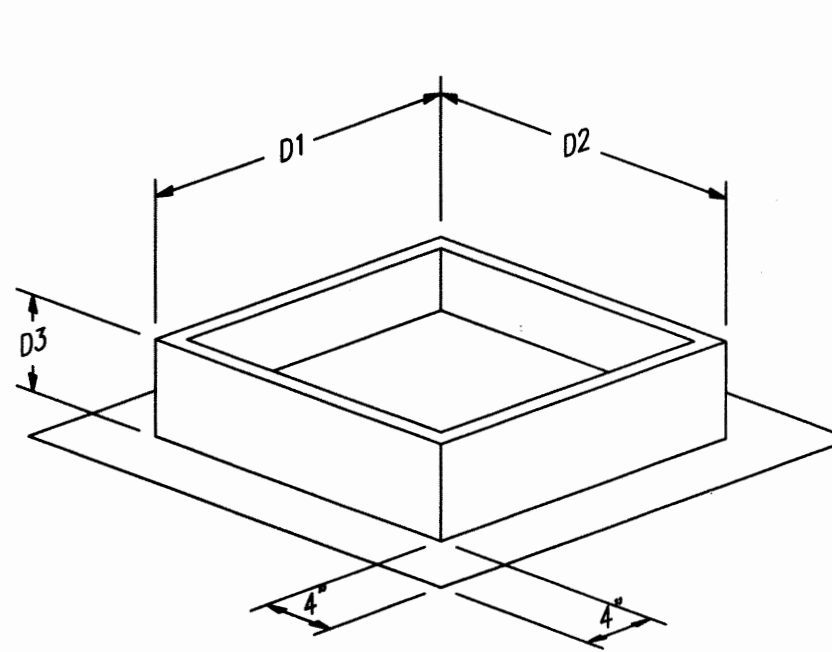
The Type XRUB is furnished standard with UL 752 listing (Power Ventilator for Restaurant Exhaust appliances/Y2HW) when furnished with factory supplied motor.

The Type XRUB is furnished standard with cUL listing (Power Ventilator for Restaurant Exhaust appliances) when furnished with factory supplied motor.

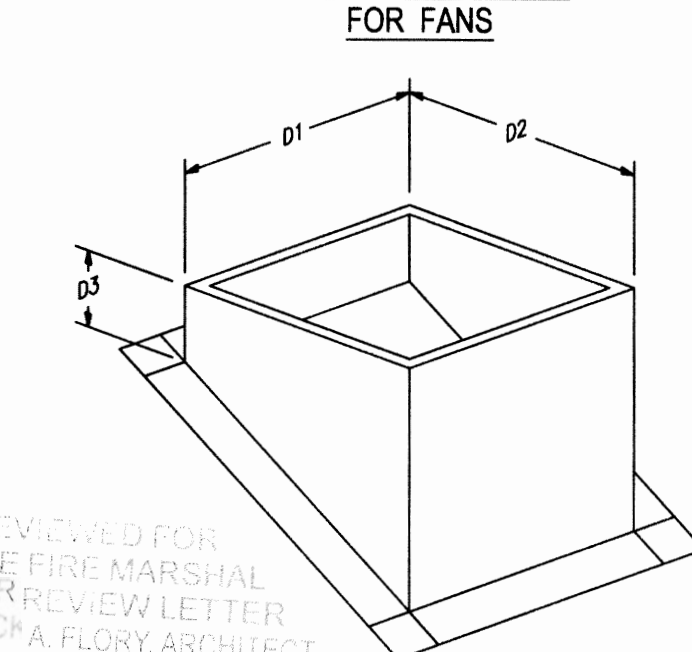
Table with 2 columns: DIMENSIONAL DATA, LEGEND. Includes columns for SIZE, A, B, C, G, T, SHIP WT. LESS MOTOR, ROOF OPNG. SQUARE. Includes list of accessories like GALVANIZED CURB, NEMA 3R DISCONNECT SWITCH, EXTENDED VENTED BASE, EXTENSION CURB, HINGED BASE, GREASE TRAP, ALL STEEL CONSTRUCTION.

Table with 2 columns: DIMENSIONAL DATA, MOTOR INFORMATION, ACCESSORIES. Includes columns for QTY, MARK, CATALOG NUMBER, CFM, SP, RPM, HP, VOLTS, HZ, PH, TYPE, ACCESSORIES.

FLAT ROOF CURB



SLOPE ROOF CURBS FOR FANS



HOOD DETAILS BY



Table with 3 columns: QTY., FAN MODEL, DIMENSIONS. Includes columns for D1, D2, D3.

Table with 3 columns: QTY., FAN MODEL, DIMENSIONS. Includes columns for D1, D2, D3.

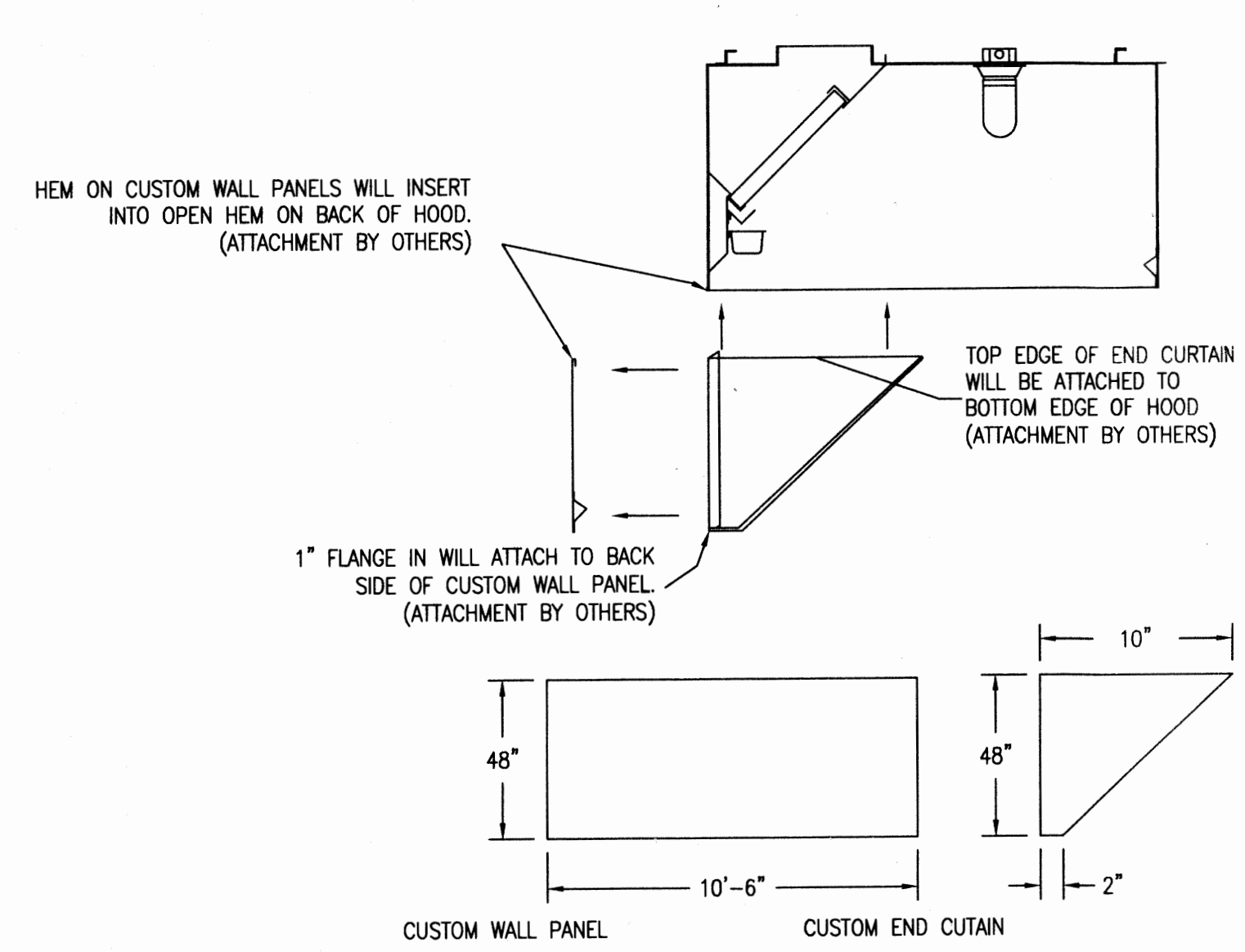
HOOD INFORMATION TABLE with columns for HOOD NO., MODEL, LGTH, WIDTH, COOKING TEMP., EXHAUST COLLAR SIZE, EXHAUST QTY, EXHAUST S.P., TOTAL EXH CFM, SUPPLY COLLAR SIZE, SUPPLY QTY, SUPPLY S.P., TOTAL SUP CFM, HOOD CONSTRUCTION, HOOD CONFIGURATION, PLENUM, CEILING ENCLOSURE.

* ALL EXHAUST STATIC PRESSURES ARE @ COLLARS / DUCT SYSTEM NOT INCLUDED*

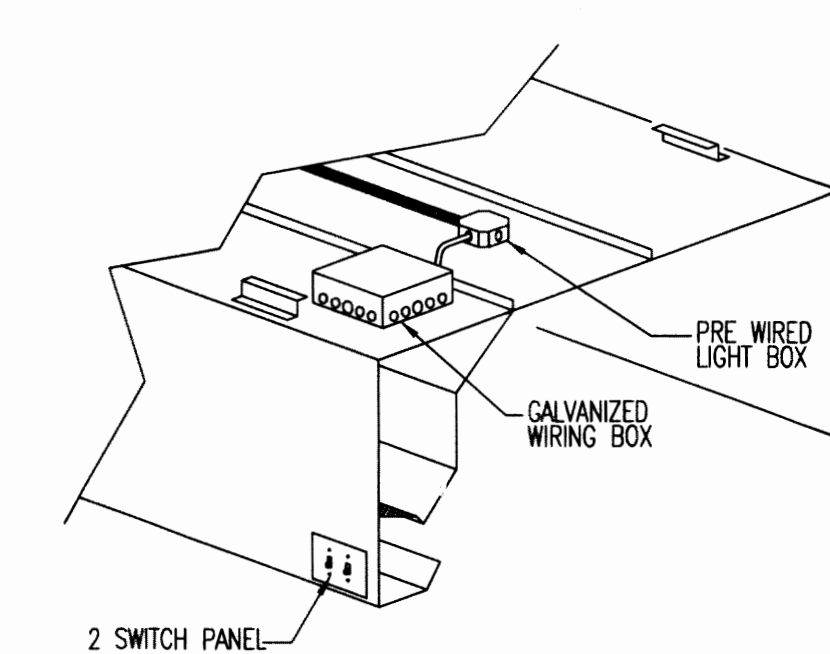
HOOD INFORMATION TABLE CONTINUED with columns for HOOD NO., QTY, HGT, LGTH, FILTERS, LIGHTS, FIRE SYSTEM, HOOD, ELECTRICAL PKG.

* 48" TALL BACK WALL SPLASH PANEL PROVIDED WITH HOOD*

CUSTOM END CURTAINS AND WALL PANELS

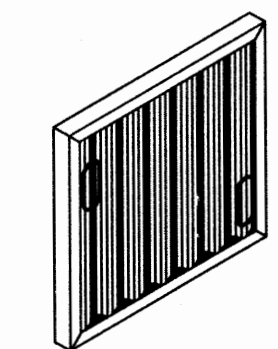


HOOD MOUNTED PRE-WIRED PACKAGE



PRE WIRED ELECTRICAL BOX TO BE MOUNTED ON TOP OF HOOD AND FACTORY PRE WIRED TO A SWITCH PANEL ON FACE OF HOOD AND THE HOOD LIGHTS. WIRING BOX SHALL CONTAIN, AS REQUIRED, STARTERS WITH OVERLOADS, RELAYS, CONTACTORS, TERMINAL STRIPS AND WIRING DIAGRAM. WIRING FROM POWER SOURCE AND ROOFTOP FANS REQUIRES FIELD HOOKUP AS PER NATIONAL ELECTRICAL CODE. PRE WIRED BOXES AVAILABLE IN 115V, 208V, 230V, SINGLE PHASE, AND 208V, 230V, AND 480V THREE PHASE.

BAFFLE TYPE GREASE FILTERS



FEATURES: STAINLESS STEEL OR ALUMINUM CONSTRUCTION FOR TOUGH COMMERCIAL KITCHEN USES. MODULAR, PERMANENT PROTECTION AGAINST RUST AND CORROSION. SAFE, DEPENDABLE, POSITIVE FLAME BARRIER PROTECTION. SMOOTH SURFACES PREVENT CONSTANT GREASE RUN-OFF INTO HOOD COLLECTION TRAYS. DESIGNED TO REPLACE MESH TYPE FILTERS WITHOUT COSTLY HOOD MODIFICATIONS.

Air Flow Characteristics CFM vs. Static Pressure

Table with 2 columns: EFFECTIVE AREA, FILTERS ARE. Includes columns for size and square feet.



FEATURES

- HEATPROOF, GREASEPROOF, WATERPROOF. SPECIFICALLY DESIGNED FOR PREWIRED CANOPY HOODS. MOUNTS TO ANY 3 1/2" OR 4" STANDARD JUNCTION BOX. CAST ALUMINUM FIXTURES ARE PROVIDED WITH A BRUSHED TO MATCH STAINLESS STEEL HOOD INTERIORS. PROVIDED WITH PLASTIC COATED AND THERMAL SHOCK RESISTANT GLOBES.

SPECIFICATIONS

FIXTURE BODY: CAST ALUMINUM SOCKET: PORCELAIN BODY WITH COPPER SHELL WIRE LEADS: 6" LONG, 14 AWG GASKETS: SILICONE GLOBE: CLEAR THERMAL SHOCKPROOF GLASS & PLASTIC COATING.

NOTICE: Underwriters Laboratories standard #57 requires that fixtures in commercial cooking hoods must be mounted a minimum of 4 ft. above the cooking surface.

INCANDESCENT LIGHT FIXTURES

REVIEWED FOR STATE FIRE MARSHAL AS PER REVIEW LETTER BY PATRICIA A. FLORY, ARCHITECT

VERIFY ROOF SLOPE*