

- ✓ Produces up to 175 lbs. (80 Kgs.)* of ICE per day
- ✓ Built-in application storage of up to 100 lbs. (45 Kgs.)
- ✓ Ultra-low profile - 39 inches (991 mm) tall
- ✓ Available with an air- or water-cooled condenser



ICEU 150

ICE-O-Matic® is the Best ICE Making Solution for: Hard Water, Food Safety and Tight Spaces

Problem

Food Safety

Food safety concerns about slime- and odor-causing bacteria

Hard Water

Scaling due to hard water slows Ice production

Tight Fitting Spaces

Inadequate air due to tight-fitting spaces reduces Ice production

Dirty Air Filter

Forget to change the air filter?

Solution

PURE ICE™ - Exclusively by ICE-O-Matic®

Built-in antimicrobial protection for the life of the machine prevents bacteria and slime fungus growth. ICE-O-Matic's® optional water filtration system provides protection against unpleasant tastes, odors and scale formation.

Harvest Assist

Consistent ICE production 24/7 by pushing the ICE into the bin rather than waiting for gravity to overpower the scale

Front Air Discharge

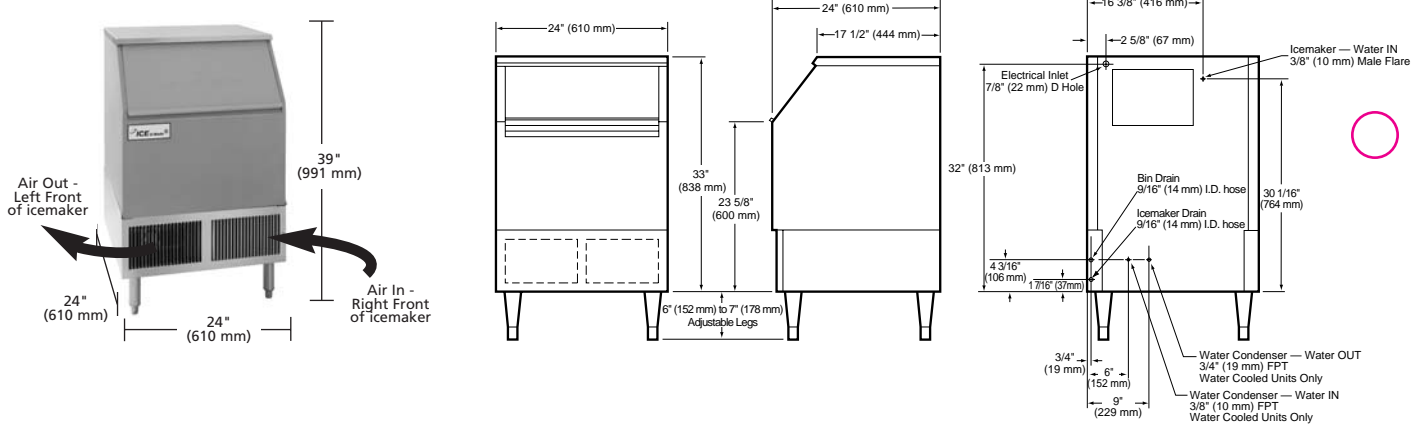
Air is drawn in and exhausted from the front - no side clearance required

Filter-Free Air

No air filter to change

ICEU 150 Series Cube ICE Maker

Dimensions and Air Flow



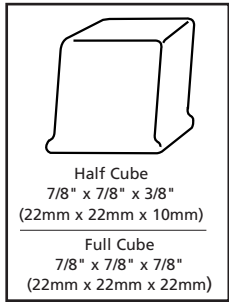
ICE PRODUCTION CHART POUNDS

ICEU 150				
Conds. Unit	Air Temp. °F (°C)	Water Temp. °F (°C)		
		80°(27°)	70°(21°)	50°(10°)
Air Cooled	90° (32°)	109 (49)	117 (53)	139 (63)
	80° (27°)	131 (59)	141 (64)	155 (70)
	70° (21°)	145 (66)	155 (71)	171 (78)
Water Cooled	90° (32°)	129 (59)	139 (63)	153 (70)
	80° (27°)	139 (63)	149 (68)	164 (75)
	70° (21°)	148 (67)	159 (72)	175 (80)

OPERATING LIMITS

Ambient Temp. Range	50° - 110°F (10° - 43°C)
Air & Water	50° - 110°F (10° - 43°C)
Water Temp. Range	40° - 100°F (4.5° - 38°C)
Water Pressure Ice Maker	Min. 20 psi (1.4 bar)
Water in	Max. 60 psi (6.9 bar)
Condenser Inlet Water (Water cooled only)	Min. 20 psi (1.4 bar) Max. 60 psi (6.9 bar)

- 90°/70° figures are rated in accordance with ARI Standard 810. All remaining points are mathematical estimates.
- All specifications and performance data are subject to normal manufacturing variances.
- Application bin storage is 100 lbs. (45 Kgs.)
- ARI bin storage is 74 lbs. (34 Kgs.)



ORDERING AND SPECIFICATION INFORMATION

Model No.	Cond. Unit	Ice Production per 24 hrs. at 70° Air/50° Water lbs. (Kgs.)	Ice Production per 24 hrs. at 90° Air/70° Water lbs. (Kgs.)	Water Used-Gals. (Lits.) per 100 lbs. of Ice 90° Air/70° Water		Kilowatts Used per 100 lbs. of Ice 90° Air 70° Water	Btuh	Voltage Characteristics	No. of Wires	Min. Circuit Amp.	Max. Fuse Size	Shipping Weight lbs. (Kgs.)
				Ice Prod. Use	Cond. Use							
41 99 ICEU150•A	Air	171 (78)	117 (53)	31.6 (120)	n/a	10.9	3538	115/60/1	3	9.6	15	175 (80)
ICEU150•W	Water	175 (80)	139 (63)	39.2 (148)	186.4 (706)	8.0	3451	115/60/1	3	7.9	15	175 (80)

• represents cube size. For full cube substitute an "F", for half cube substitute an "H".
Please note: air-cooled units require 6" (152 mm) clearance for air intake and exhaust.



We reserve the right to make changes in design and construction at any time without obligation.
2003 ©ICE-O-Matic Rev Code: 1001B-07/03-55

ICE-O-Matic 11100 E. 45th Avenue, Denver, CO 80239
Tel. 303 371-3737 Fax. 303 371-6296 www.iceomatic.com