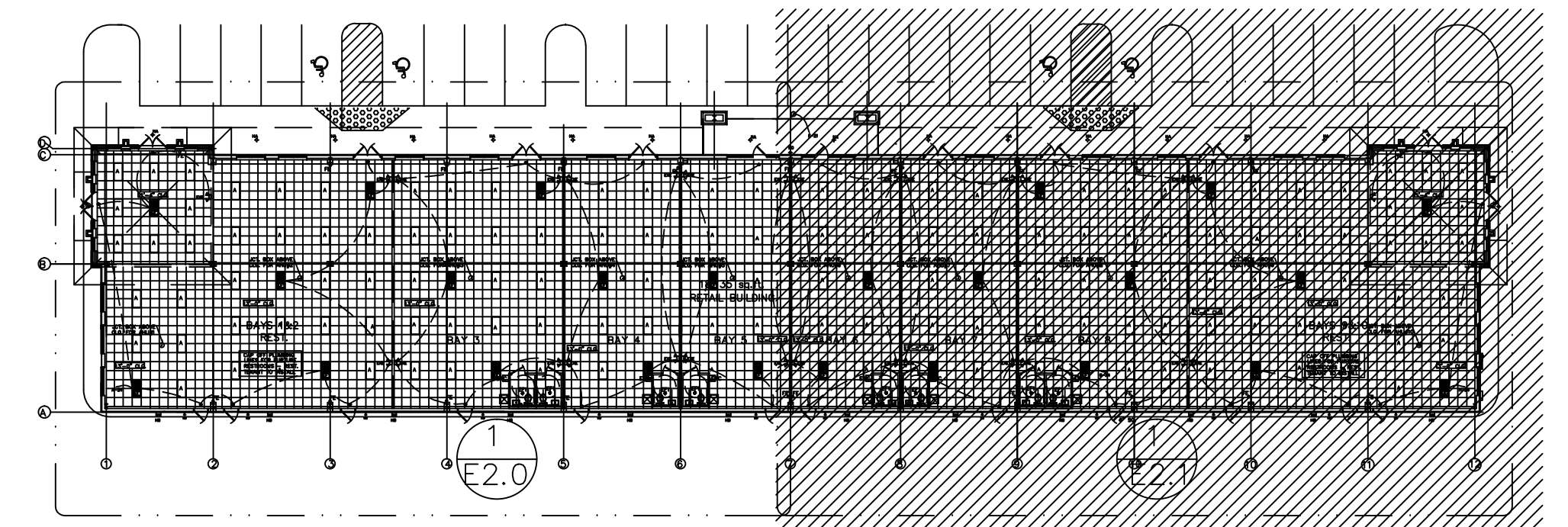


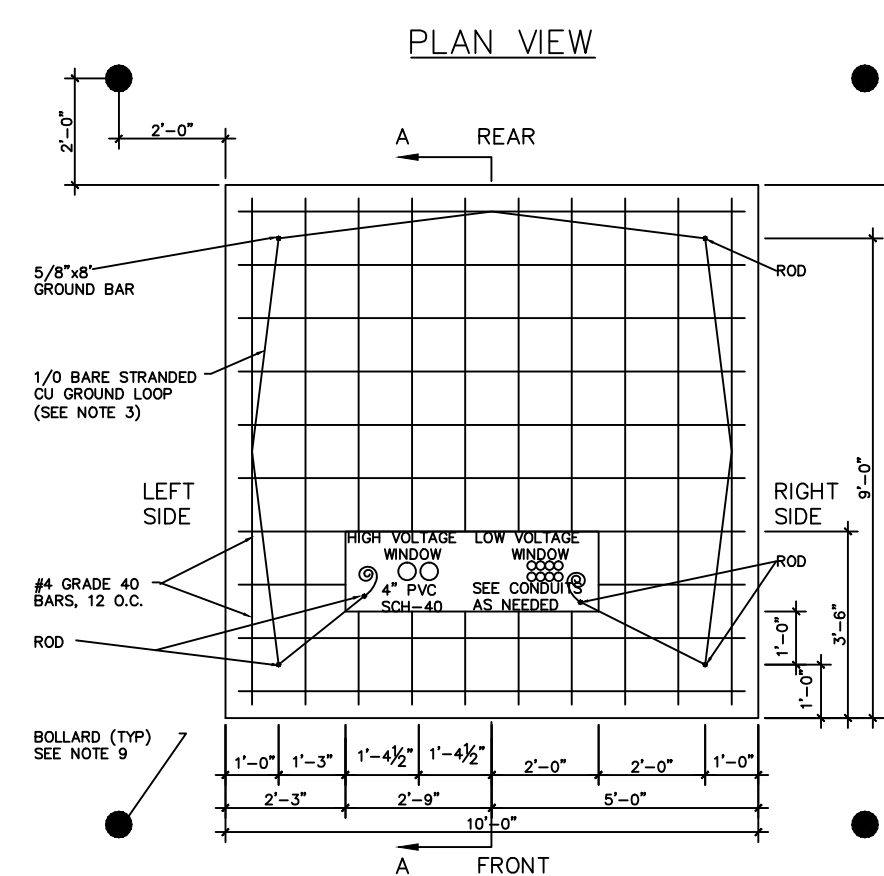
1 ELECTRICAL - ENLARGED LIGHTING PLAN
1/8" = 1'-0"



ELECTRICAL - KEY PLAN
N.T.S.

ELECTRICAL/MECHANICAL LEGEND:

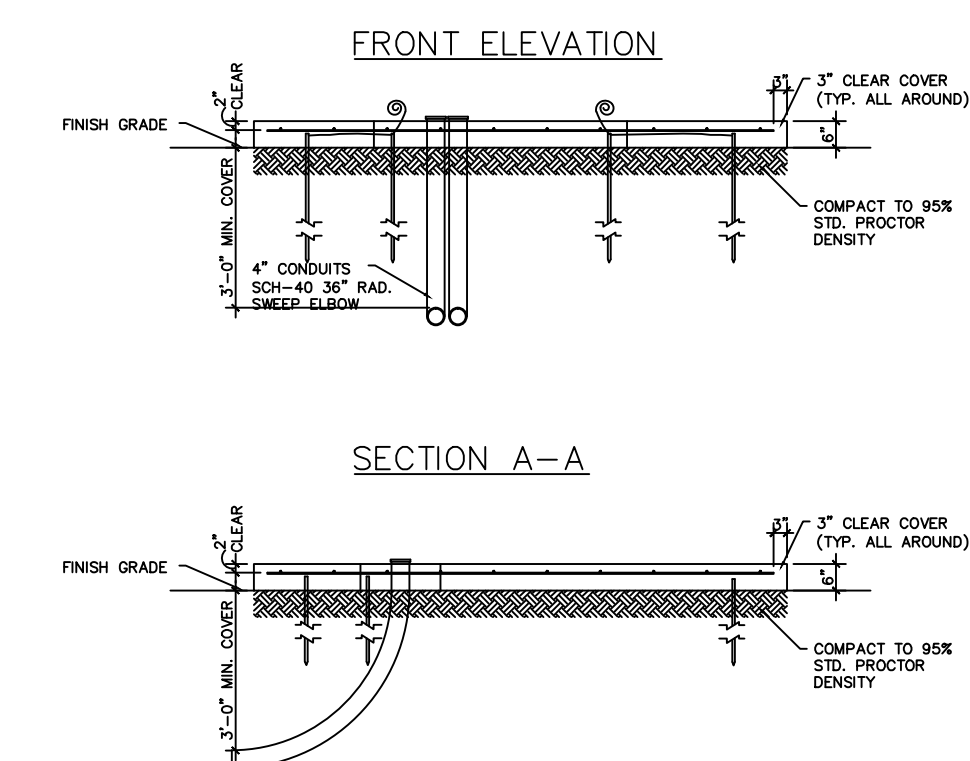
	24"x48" FLUORESCENT LIGHT - 3 LAMP		24"x48" FLUORESCENT LIGHT - 3 LAMP WITH EMERGENCY BATTERY PACK		WALL MOUNTED FLUORESCENT LIGHT		ELECTRIC PANEL
	24"x24" FLUORESCENT LIGHT - 2 LAMP		ILLUMINATED EXIT LIGHT		EXHAUST FAN WITH LIGHT		EXTERIOR DISCONNECT
	24"x24" SUPPLY REGISTER		ILLUMINATED EXIT LIGHT W/ DIRECTIONAL ARROW		PHONE OUTLET @ 18" A.F.F.		ELECTRIC METER
	SUPPLY REGISTER		EMERGENCY LIGHT		WALL MT. 120 DUPLEX RECEPTACLE @ 18" A.F.F.		HOSE BIBB
	24"x24" RETURN REGISTER		CABLE TV CONNECTION		WALL MT. 120 DUPLEX RECEPTACLE @ 18" A.F.F. (GFI INDICATES GROUND FAULT INTERRUPT)		TELEPHONE PANEL
	JUNCTION BOX		SINGLE POLE SWITCH		WALL MT. 220V RECEPTACLE		SURFACE MOUNTED WALL PACK AT 9'-0" A.F.F.
	DATA COMPUTER DATA		DIGITAL THERMOSTAT		WALL MT. 220V RECEPTACLE		2X2 EXTERIOR LAY-IN
					WALL MT. 120 QUADRELEX RECEPTACLE @ 18" A.F.F.		SURFACE MOUNTED FLUOR. LIGHT
					RECESSED COMP. FLUOR. LIGHT		



ELECTRICAL GENERAL NOTES

1. THE (2)-4 INCH CONDUITS FOR CLEO'S PRIMARY CONDUCTORS ARE TO BE POSITIONED IN HIGH VOLTAGE WINDOW OPENING AS SHOWN.
2. CONDUITS FOR SECONDARY CONDUCTORS ARE TO BE POSITIONED AS REQUIRED IN 24" BY 18" LOW VOLTAGE WINDOW OPENING.
3. GROUND LOOP CONDUCTORS IS TO BE CONTINUOUS WITH 3" TAILS EXPOSED ABOVE SLAB. INTERWEAVE GROUND CONDUCTOR WITH RE-BARS.
4. HAVE CLEO INSPECT AFTER FORMING BUT BEFORE POURING.
5. ALL CONCRETE SHALL BE A MINIMUM 28 DAY COMPRESSIVE STRENGTH OF 3,500 PSI.
6. PROVIDE A MINIMUM OF TEN FEET CLEAR SPACE BETWEEN SIDES AND BEAR OF CONCRETE PAD AND ANY STRUCTURE OPENING OR STRUCTURES NOT HAVING THREE HOUR FIRE RATED CONSTRUCTION.
7. PROVIDE A MINIMUM OF FIVE FEET CLEAR SPACE BETWEEN SIDES AND BEAR OF CONCRETE PAD AND ANY FENCE OR STRUCTURE HAVING THREE HOUR FIRE RATED CONSTRUCTION.
8. PROVIDE SUITABLE ACCESS AND EGRESS FOR CLEO PERSONNEL AND EQUIPMENT TO INSTALL, OPERATE AND MAINTAIN THE TRANSFORMER FROM THE FRONT OF THE CONCRETE PAD.
9. PROVIDE FOUR, SIX INCH CONCRETE FILLED, STEEL PIPE BOLLARDS WHEN PAD IS IN AN AREA EXPOSED TO VEHICULAR TRAFFIC. BOLLARDS ARE TO BE TEN FEET IN TOTAL LENGTH WITH SIX FEET BURIAL DEPTH.

2 TRANSFORMER CONCRETE PAD
N.T.S.



KVS
architecture
347 Girod Street, Mandeville, Louisiana
985.674.3077 www.kvsarchitecture.com
REVISIONS:

BUILDING SHELL FOR GAUSE RETAIL CENTER
Gause Boulevard Slidell, Louisiana

DATE:
07.05.11
PROJECT No:
11008
DRAWING:

E2.1