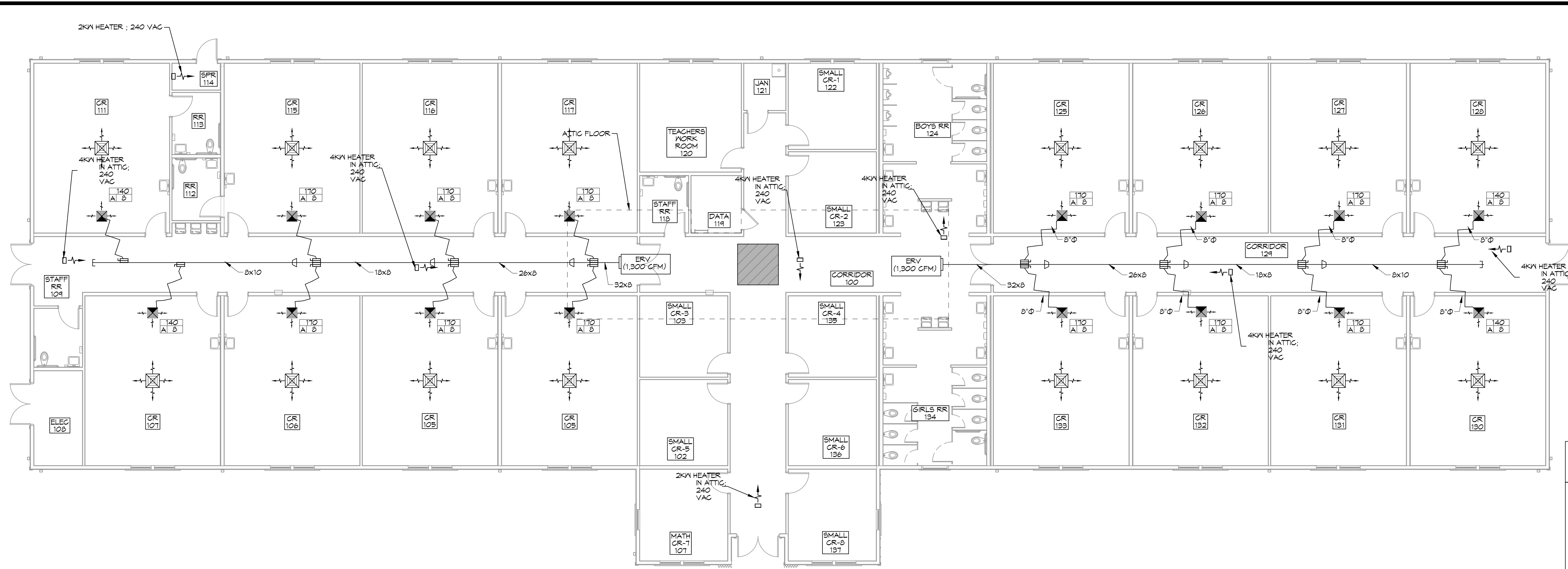
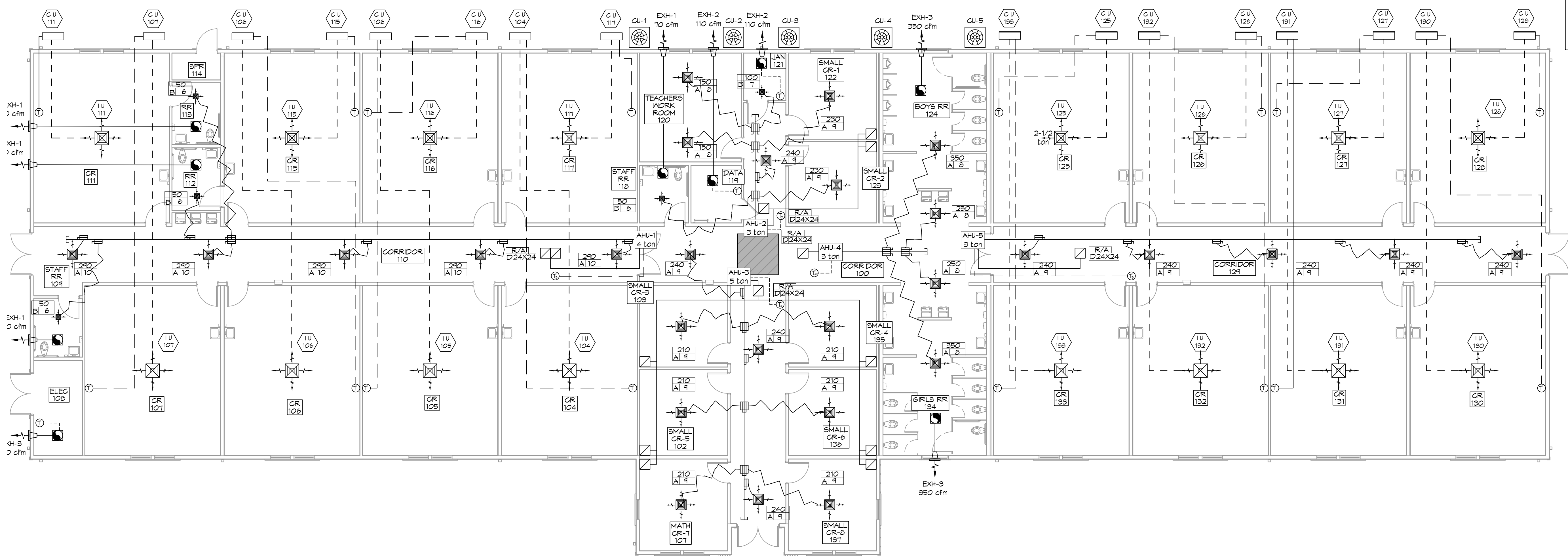


FILE NAME: J:\1 - School Projects\2023 - 11th Grade Classroom Building - 11th Grade Classroom Building.dwg, PLOT DATE: 2/22/2023, 2:24:42 PM



**2 OUTSIDE AIR & HEATERS**  
SCALE: 1/8" = 1'-0"



**1 MECHANICAL PLAN**  
SCALE: 1/8" = 1'-0"

**LEGEND**

- SKY LIGHT
- EXHAUST FAN
- SUPPLY AIR GRILLE
- RETURN AIR GRILLE
- HEATER

**DAMMON ENGINEERING, INC.**  
LOUISIANA & MISSISSIPPI  
www.dammonengineering.com  
info@dammonengineering.com  
Chief Engineer: Brian Misch, PE  
554 Old Spanish Trail  
Slidell, LA 70458  
PH: 985-649-5832

#	DESCRIPTION	DATE
1	Revised drawing to meet NIG 2021 requirements	2/22/2023



NEW CLASSROOM BUILDING  
**L A K E Y A C A D E M Y**  
PRIVATE BLVD  
COVINGTON, LA  
JOB No: 2466 DATE: 11-10-2022  
DRAWN BY: JMS CHECKED BY: TNT

SHEET TITLE:  
MECHANICAL PLAN AND  
OUTSIDE AIR & HEATERS  
DRAWING NUMBER:  
**M101**  
SHEET No: