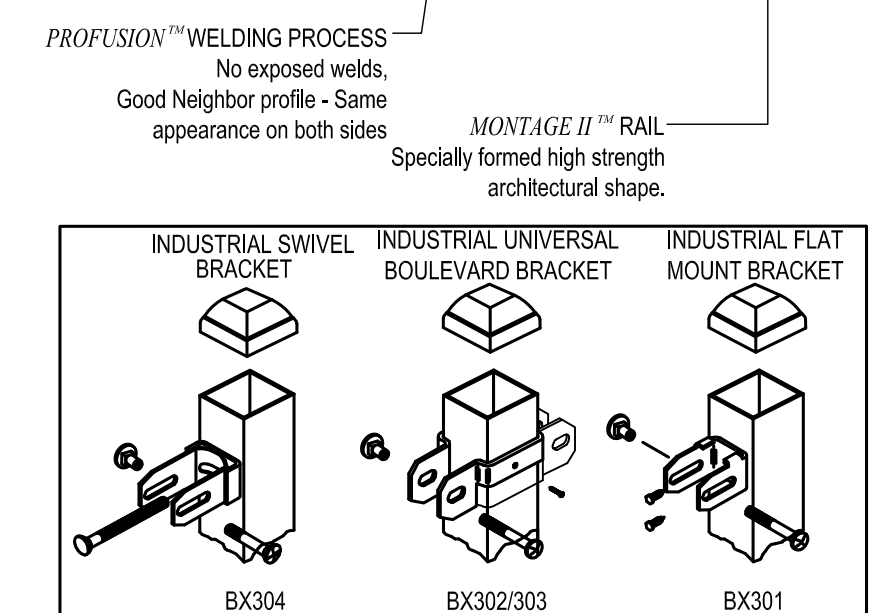
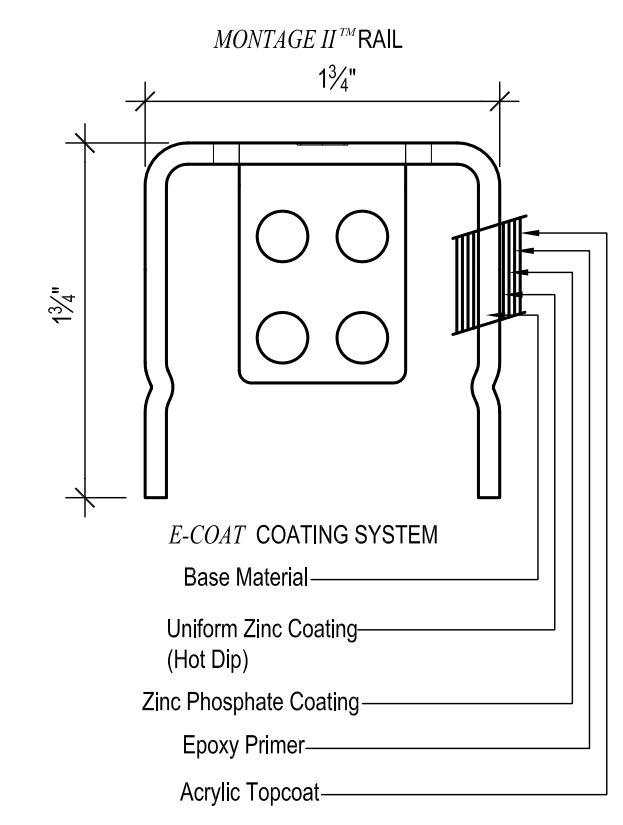
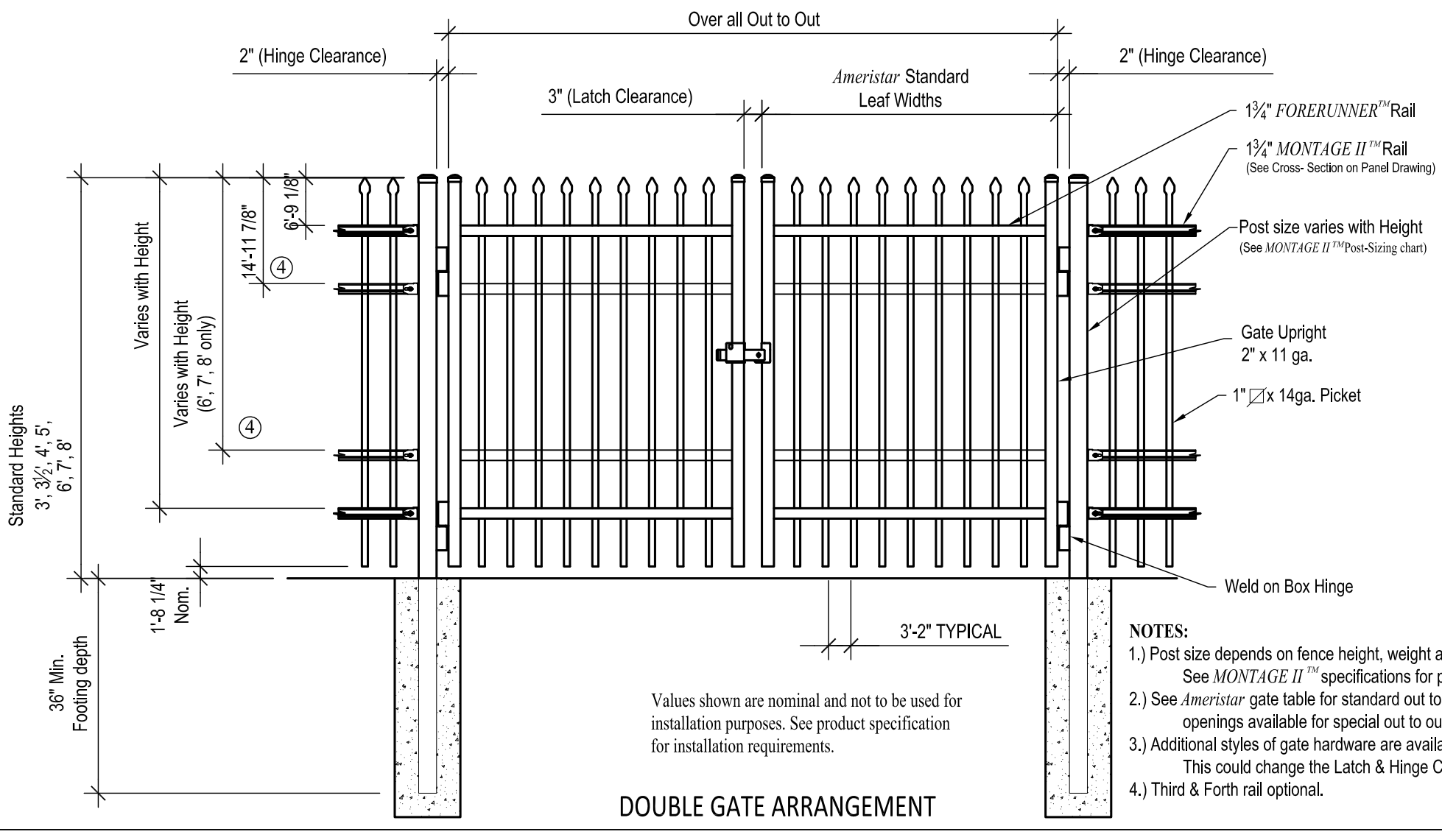
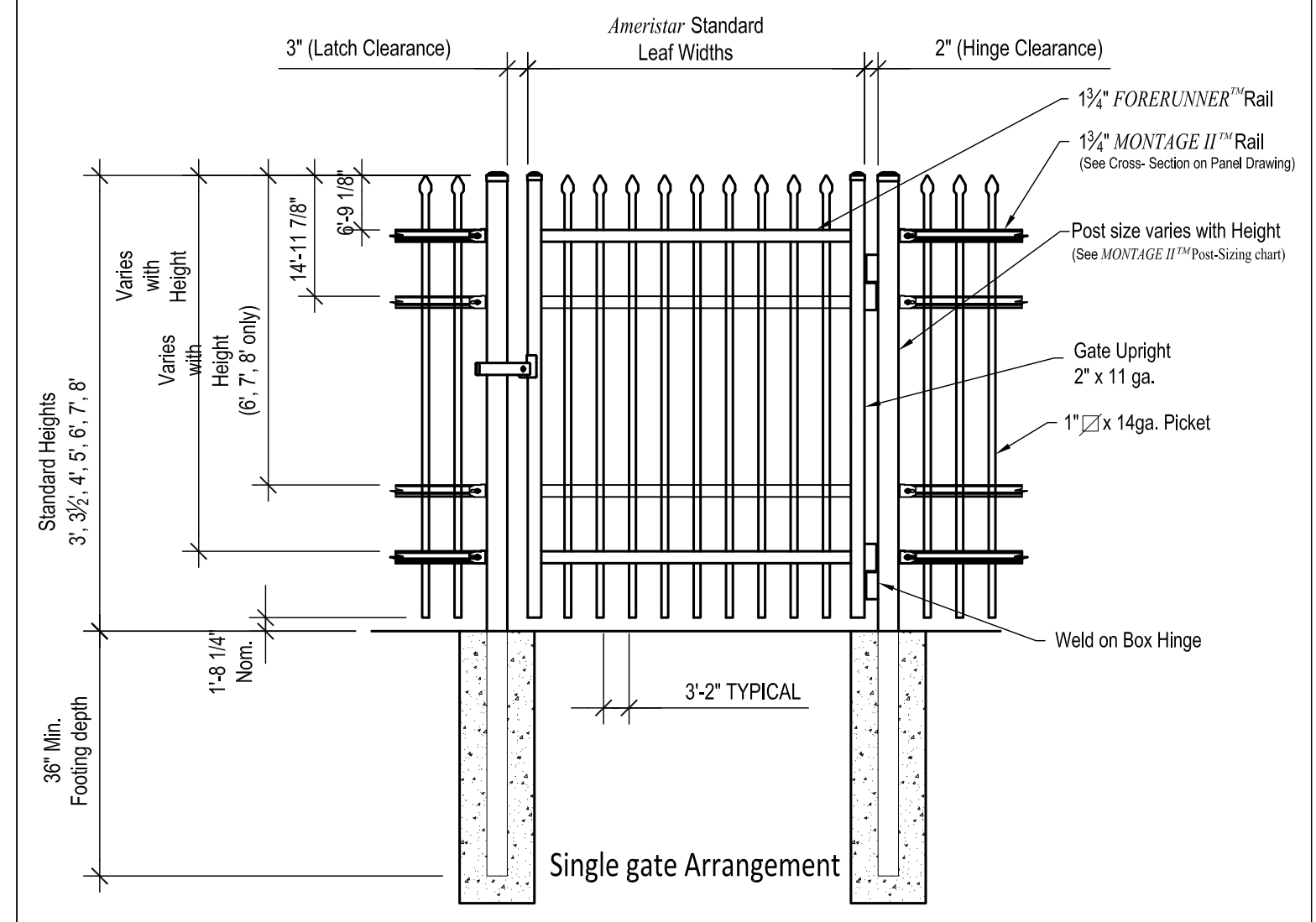


**NOTES:**  
 1.) Post size depends on fence height and wind loads. See MONTAGE II™ specifications for post sizing chart and setting dimensions.  
 2.) Third & Fourth rail optional.  
 3.) Available in Flush Bottom.

**RAKING DIRECTIONAL ARROW**  
 Welded panel can be raked 30° over 8' with arrow pointing down grade.

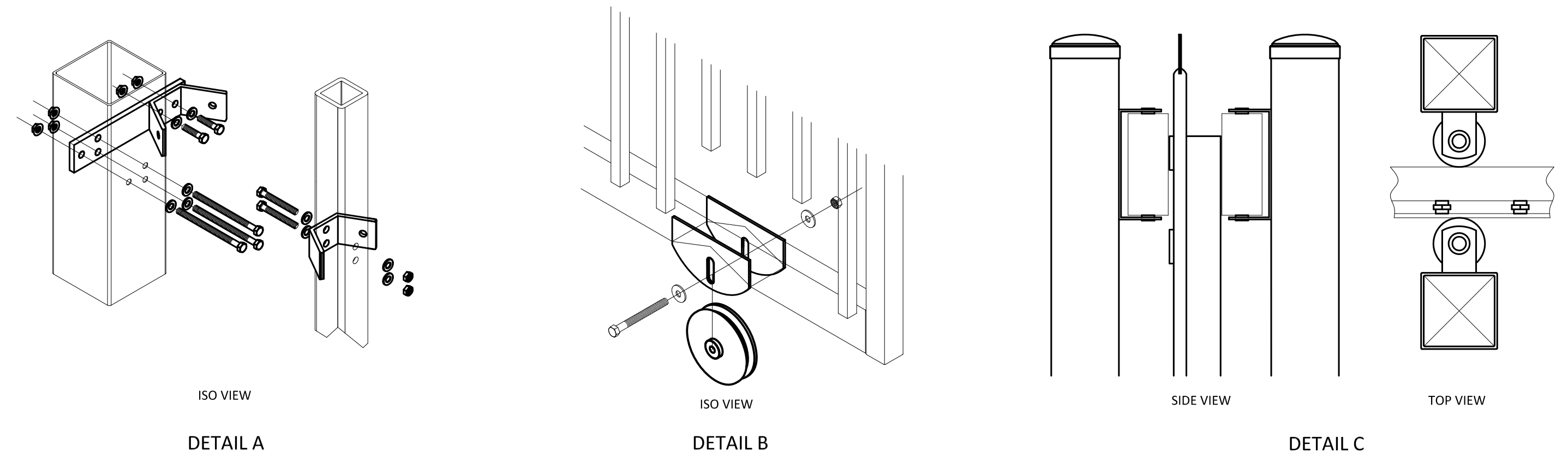
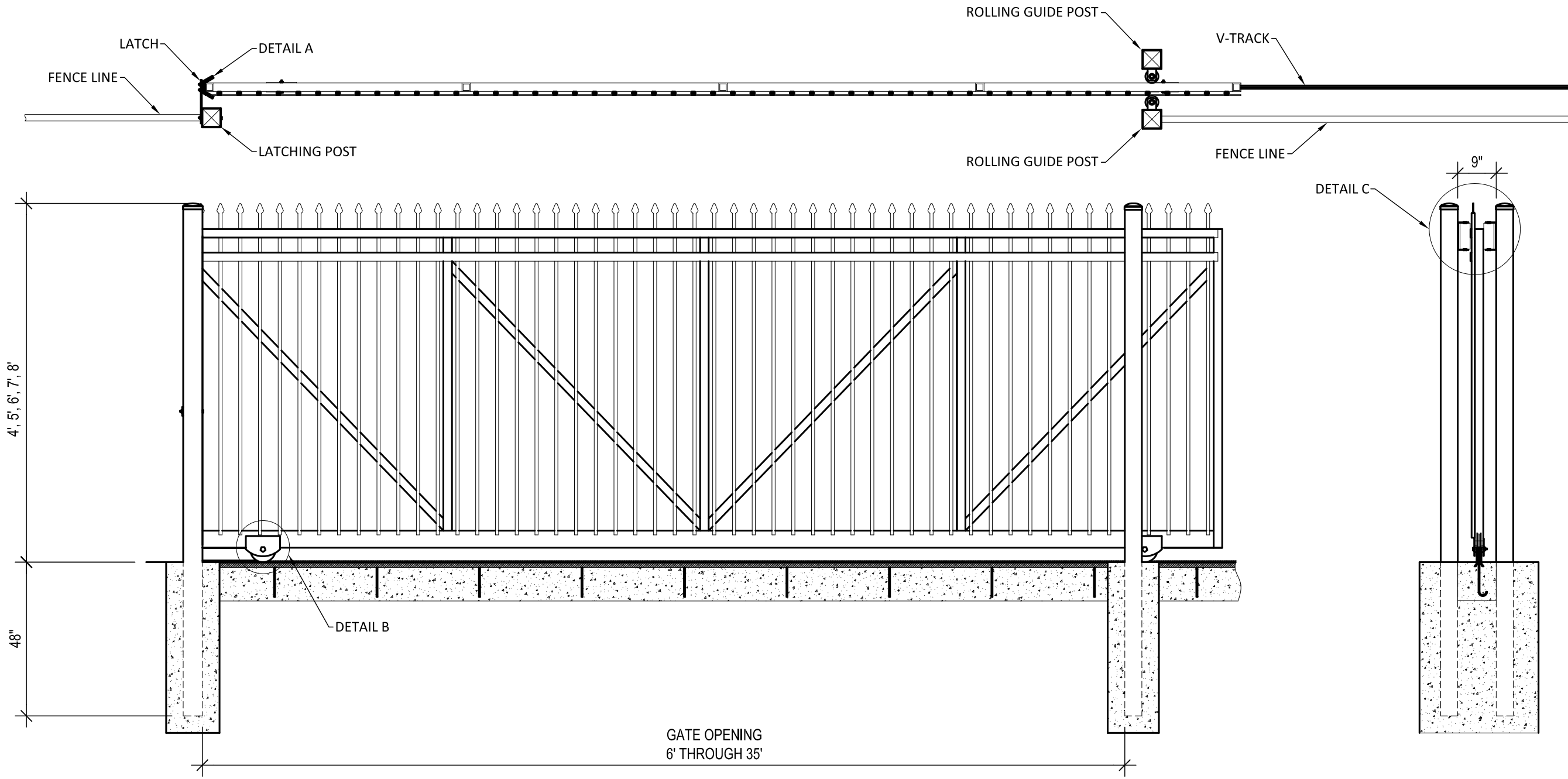


Values shown are nominal and not to be used for installation purposes. See product specification for installation requirements.



Values shown are nominal and not to be used for installation purposes. See product specification for installation requirements.

**NOTES:**  
 1.) Post size depends on fence height, weight and wind loads. See MONTAGE II™ specifications for post sizing chart.  
 2.) See Ameristar gate table for standard out to outs. Custom gate openings available for special out to out/leaf widths.  
 3.) Additional styles of gate hardware are available on request. This could change the Latch & Hinge Clearance.  
 4.) Third & Fourth rail optional.



Values shown are nominal and not to be used for installation purposes. See product specification for installation requirements.

PassPort Commercial Ornamental Roll Gate  
 Ornamental Pickets: 2" Square  
 Top Rail(s), Uprights and Diagonals Braces: 2" Square x 11Ga.  
 Bottom Rail: 2" x 4" x 11Ga. (Notched & Plated for V-track Wheels)  
 Roll Gate Hardware: Kit #PGK0D  
 Available in Profiles of 2-Rail, 3-Rail & 3-Rail w/Rings

NEW ORLEANS  
 SIGNATURE  
 CENTER  
 CAMPUS  
 (DERHAM SITE)

RSD PROJECT NO.  
 2011-0872-0001

JULY 26, 2012

FENCING  
 DETAILS  
 C02

