

4500

Series electric strike



shown with mortise tab option



fire rated



field selectable
(12 or 24VDC)



grade 1



Specially designed to accommodate
2" fire-rated frames with 1/2"
drywall penetration

The versatile, low profile, heavy duty, fire-rated solution

The 4500 series is the first electric strike designed for installation in 2" UL 10C fire-rated frames with 1/2" drywall penetration. The 4500 electric strike features a low profile 1-3/8" depth, heavy-duty cast stainless steel construction and horizontal adjustment for simple installation. Its strength is derived from a unique keeper pin locking design, enabling the 4500 to exceed the ratings of the frame, door and locking hardware. Designed for use with cylindrical and mortise locksets up to a 3/4" throw.

Specifications

- UL 10C fire rated, 3 hour (fail secure only)
- CAN4-S104 (ULC-S104) fire door conformant
- WHI fire door listed
- ANSI/BHMA A156.31, Grade 1 (#E09321, #E09322, #E09323)
- NFPA-252 fire door conformant
- ASTM-E152 fire door conformant
- California Fire Marshall listed
- UBC-7-2-94, Uniform Building Code
- Patent # 5,934,720

Frame Application

- Metal
- Wood

Electrical

- .24 Amps @ 12VDC/VAC
- .12 Amps @ 24VDC/VAC
- DC continuous duty/AC intermittent duty only

NOTE: Relocation of the strike prep may be required for Schlage L Series and Yale 8700 mortise locks. Consult HES customer support regarding use with Best 40 Series.



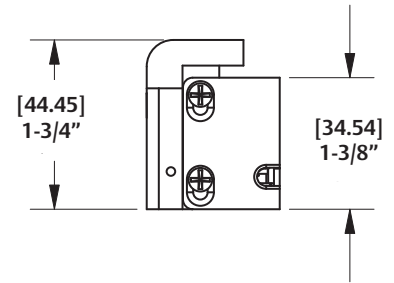
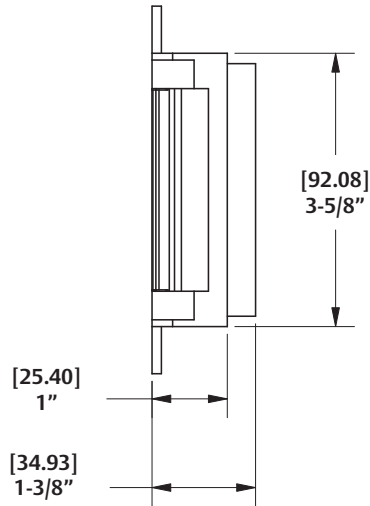
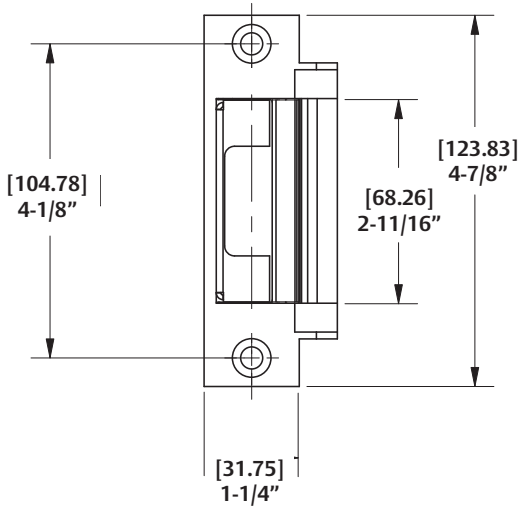
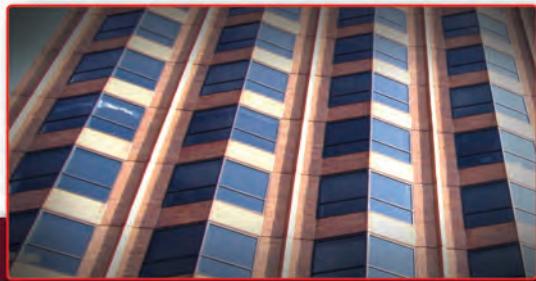


diagram shown with cylindrical tab option

Standard Features

- Stainless steel construction
- Tamper resistant
- Static strength 3,000 lbs.
- Dynamic strength 70 ft-lbs.
- Endurance 500,000 cycles
- Fail secure (standard)
- Dual voltage 12 or 24 VAC/VDC
- Horizontal adjustment
- Multiple tabs included to accommodate a variety of locksets
- Non-handed
- Internally mounted solenoid
- Accommodates up to a 3/4" latchbolt
- Strike body depth 1-3/8"
- Plug-in connector
- Trim enhancer
- Five year limited warranty

Optional Features

- Fail safe
- LBM - Latchbolt monitor
- LBSM - Latchbolt strike monitor
- Extended lip models available (1/2", 1" and 2")

Accessories

- 4500 - 105 Trim Enhancer Blk
- 4500-110 - Replacement strike plate
- 4500 -131 - Filler block - 7/16"
- 154 - MTK Metal template kit
- 2001M - Plug-in bridge rectifier
- 2004M- ElectroLynx® adapter
- 2005M - SMART Pac II™
- 2006PM - Plug-in buzzer

Finishes

- 630 - Satin stainless steel finish
- 605 - Bright brass finish
- 606 - Satin brass finish
- 612 - Satin bronze finish
- 613 - Bronze toned finish
- 629 - Bright stainless steel finish