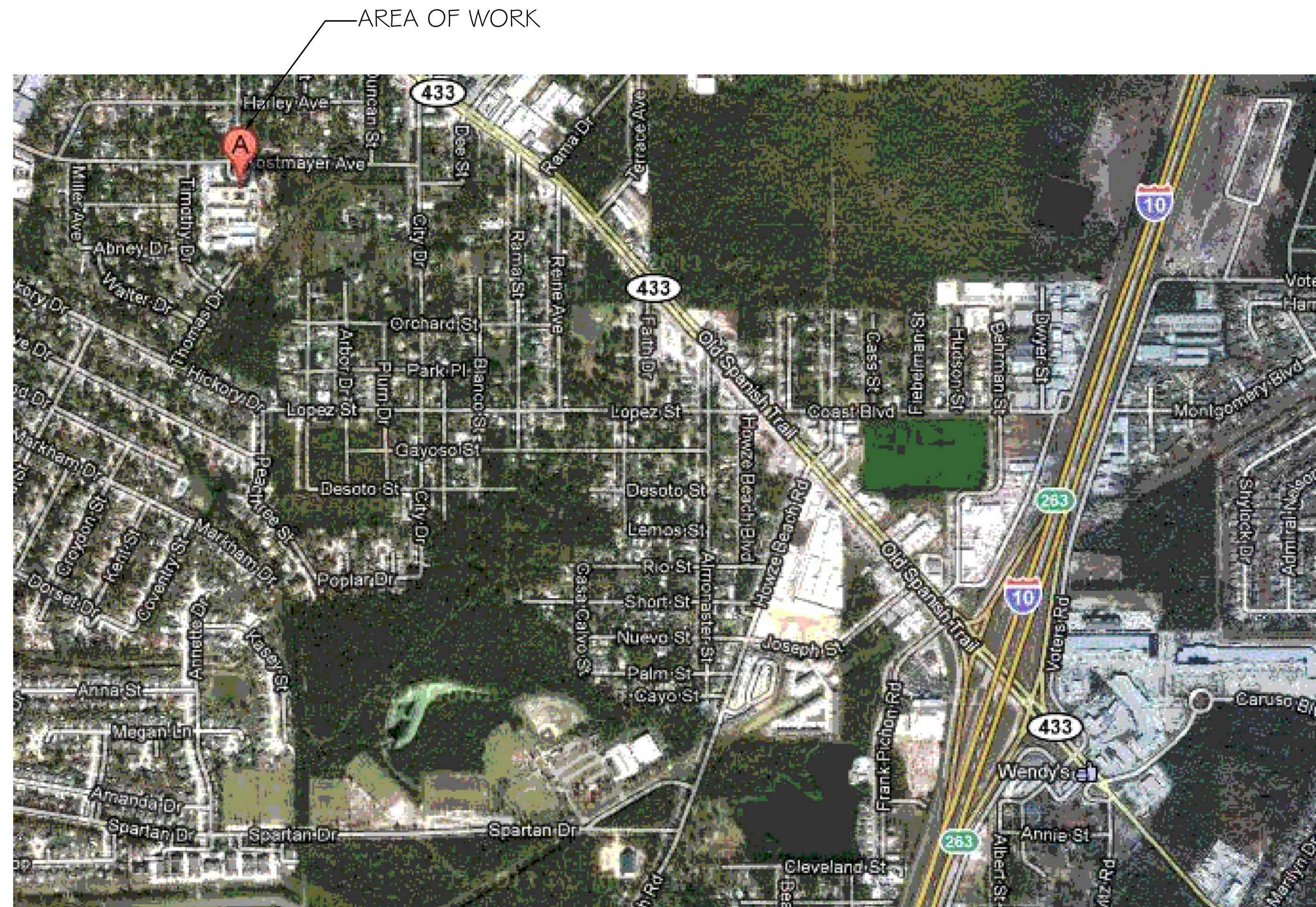


REROOFING OF ABNEY ELEMENTARY SCHOOL BLDG. B (#1978) 825 KOSTMAYER AVE. SLIDELL, LOUISIANA 70458

INTERNATIONAL BUILDING CODE 2009

OCCUPANCY CLASSIFICATION:
EDUCATIONAL, GROUP E. (SEC 305)



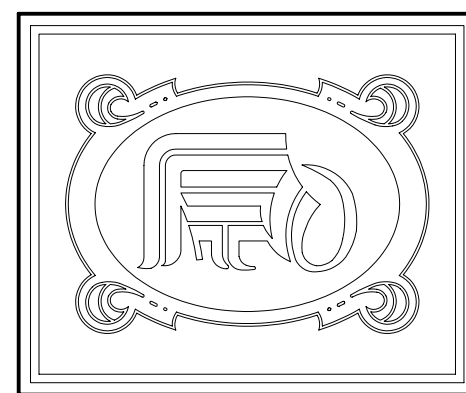
VICINITY MAP
N.T.S.

DRAWING INDEX	
-	COVER SHEET
C-1	SITE PLAN
A-1	BLDG. B ROOF PLAN
A-2	BLDG. B DETAILS
A-2	BLDG. B PHOTOS

REROOFING OF
ABNEY ELEMENTARY SCHOOL
825 KOSTMAYER AVE.
SLIDELL, LA 70458

DATE: 6-28-12
JOB NO. 2145

DAMMON ENGINEERING, INC.
OFFICE: (985) 649-5832
FAX: (985) 641-5950
1095 FLORIDA AVE.
SLIDELL, LA 70458
WEBSITE: WWW.DAMMONENGINEERING.COM
EMAIL: DAMMONENG@BELLSOUTH.NET



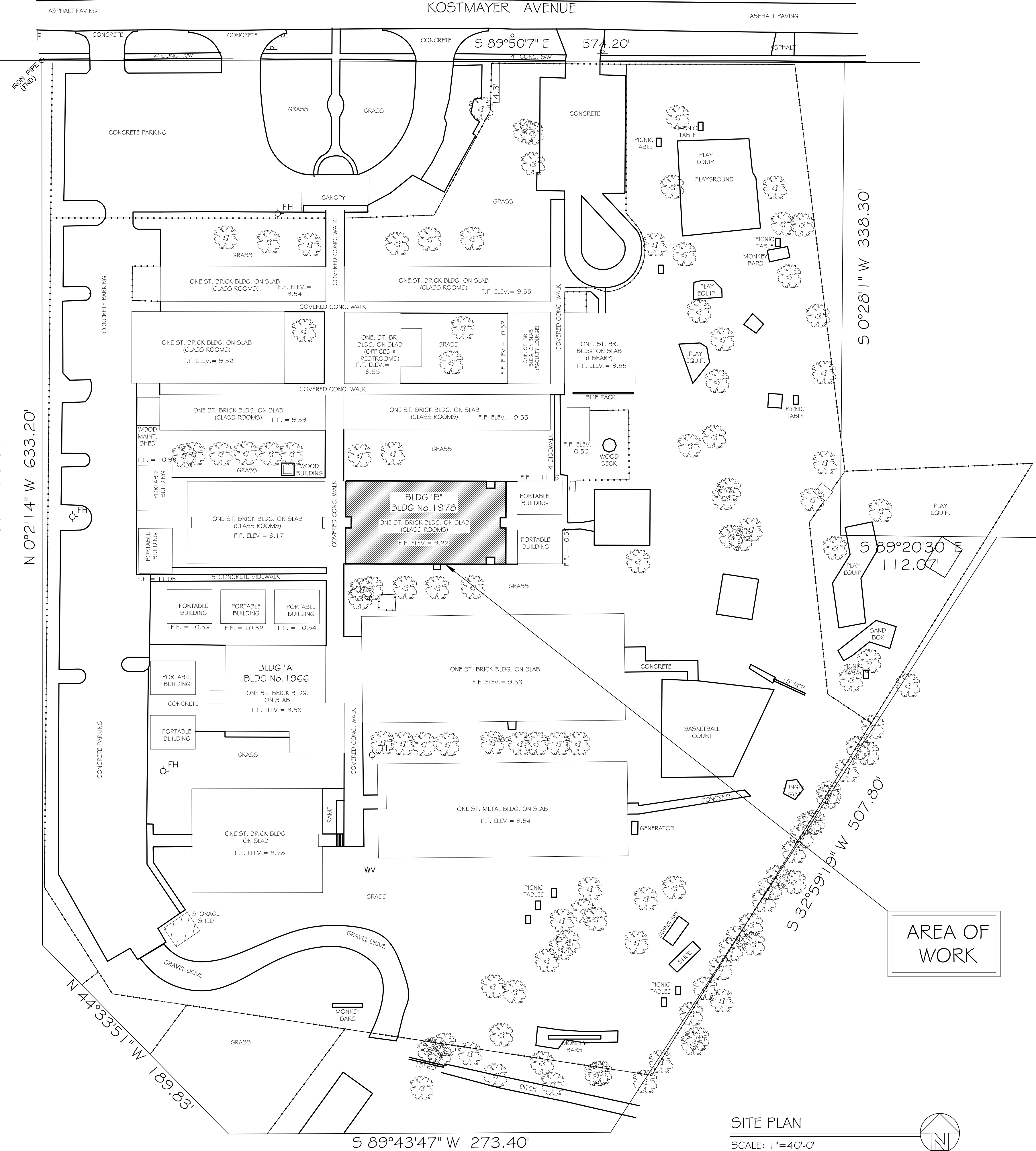
SHEET 1
OF 5

SQUARE 11
PINECREST SUBDIVISION

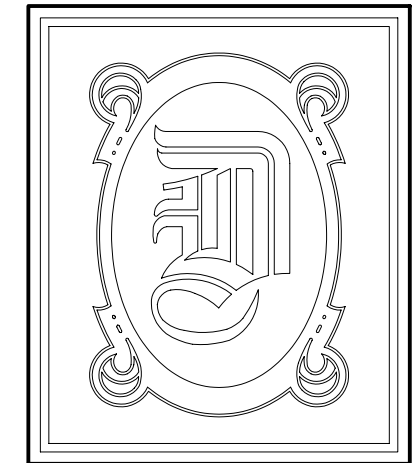
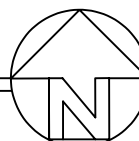
SLIDELL
AVENUE

SQUARE 12
PINECREST SUBDIVISION

KOSTMAYER AVENUE



SITE PLAN
SCALE: 1"=40'-0"



DAMMON
ENGINEERING, INC.

CHIEF ENGINEER
EMMETT
DAMMON, P.E.

CHIEF ARCHITECT
ROBERT
WILTSE

554 OLD SPANISH TRAIL
SLIDELL, LA. 70458
OFFICE: 985-649-5832
FAX: 985-641-5950

WEBSITE:
WWW.DAMMONENGINEERING.COM

EMAIL:
DAMMONENG@BELLSOUTH.NET

- ARCHITECTURE
- ENGINEERING
- STUDIES
- PLANNING
- INVESTIGATION
- EXPERT WITNESS

REROOFING OF
ABNEY ELEM.
SCHOOL

BLDG. B (#1978)
825 KOSTMAYER AVE.
SLIDELL, LA
70458

SITE
PLAN

REV:

SCALE: AS NOTED

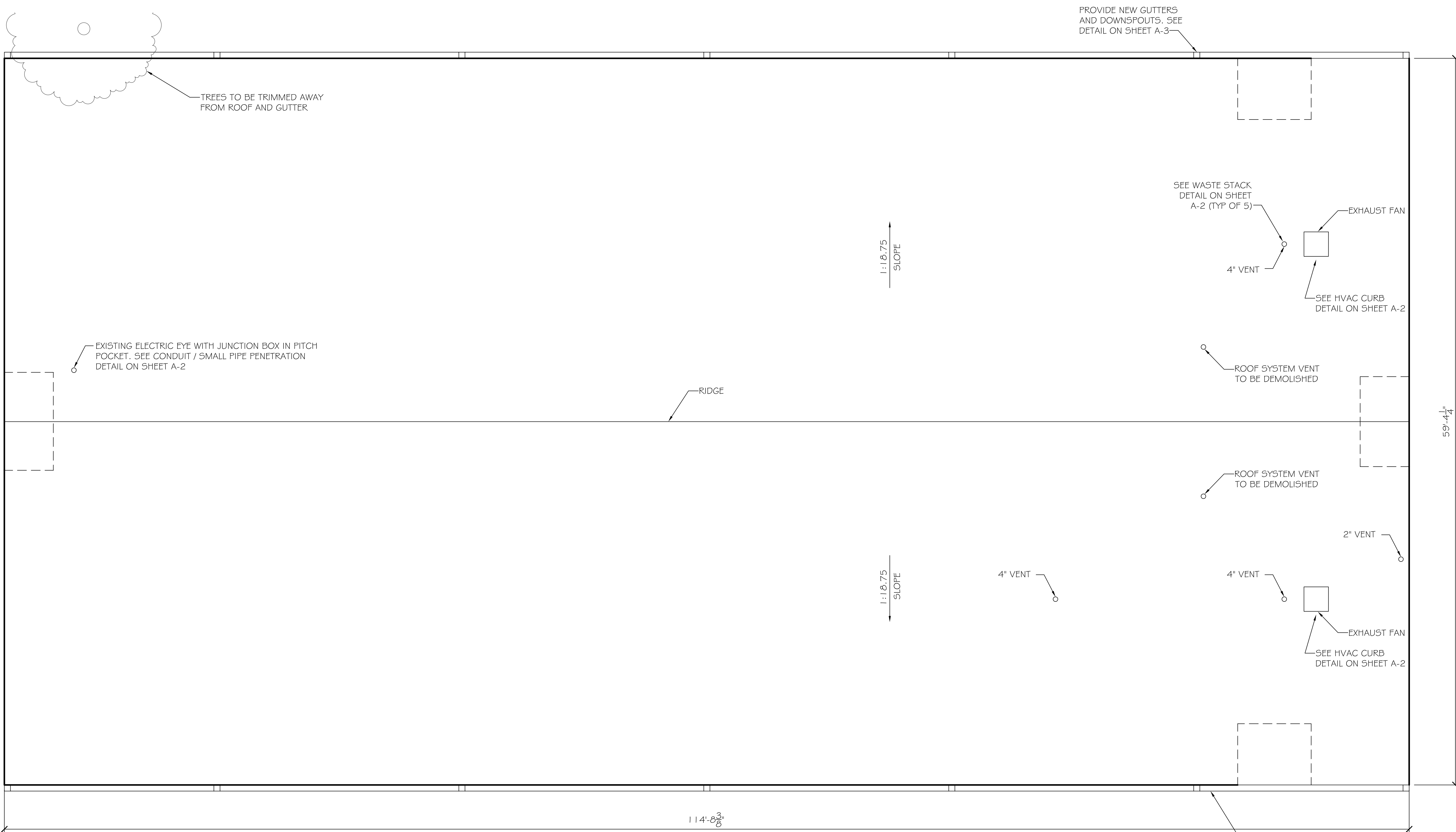
JOB#: 2145

DATE: 6-28-12

SHEET 2

C-1

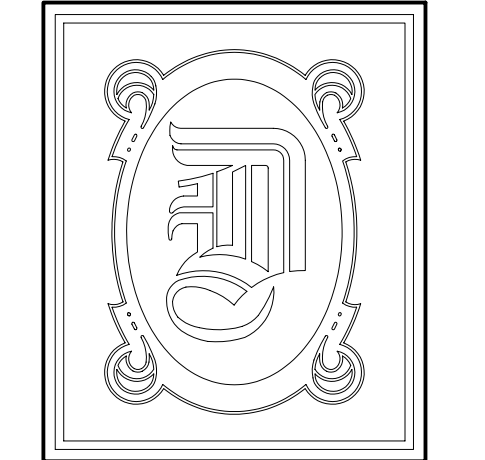
OF 5



- SCOPE OF WORK:**
- DISCONNECT AND REMOVE EXISTING MECHANICAL EQUIPMENT.
 - REMOVE AND DISPOSE OF EXISTING ROOF SYSTEM DOWN TO EXISTING LIGHTWEIGHT CONCRETE DECK. REMOVE AND DISPOSE OF EXISTING GUTTER AND DOWNSPOUT SYSTEM.
 - EXAMINE EXPOSED EXISTING LIGHTWEIGHT CONCRETE DECK. ADVISE ARCHITECT OF ANY CONDITION NOT SUITABLE FOR INSTALLATION OF NEW ROOF SYSTEM. PROVIDE ALLOWANCE FOR REMOVAL AND REPLACEMENT FOR UP TO 10% OF LIGHTWEIGHT CONCRETE. SEE APPROPRIATE SPECIFICATION SECTIONS.
 - INSTALL NEW SIFLAST MODIFIED BITUMEN ROOF SYSTEM WITH ALL ACCESSORIES, FLASHINGS, INSULATION, ETC. AS REQUIRED FOR A COMPLETE OPERATING SYSTEM IN ACCORDANCE WITH MANUFACTURER'S RECOMMENDATIONS AND TO PROVIDE A 20 YEAR N.O.L. WARRANTY. MANUFACTURER'S OF EQUAL MODIFIED BITUMEN ROOF SYSTEMS ARE ACCEPTABLE IN ACCORDANCE WITH PROJECT SPECIFICATIONS.
 - NEW ROOF SYSTEM TO CONSIST OF:
 - PARABASE F5, MECHANICALLY FASTENED TO EXISTING LIGHTWEIGHT CONCRETE DECK
 - DENS DECK PRIME HAVING A THICKNESS OF 1/2", ADHERED IN OLYBOND ADHESIVE
 - PARADIENE 20 TG BASE PLY, TORCH APPLIED
 - PARADIENE 30 FR CAP SHEET, TORCH APPLIED
 - PARADIENE 20 SA BASE FLASHING PLY, SELF-ADHERED
 - VEVAL ALUMINUM FLASHING, TORCH APPLIED
 - PRE-FABRICATED PARAGUARD GRAVEL STOP PROFORM STAINLESS STEEL, ___ GAUGE
 - SIFLAST 20 YEAR MEMBRANE / SYSTEMS GUARANTEE WITH PARAGUARD PERIMETER EDGE INCLUSION ADDENDUM
 - RE-INSTALL AND RE-CONNECT EXISTING MECHANICAL EQUIPMENT.
 - CLEAN UP SITE AND REPAIR ANY AREAS DAMAGED BY THE CONTRACTOR INCLUDING RE-SODDING ANY GRASS AREAS DAMAGED.

BLDG B ROOF PLAN

SCALE: 1/4" = 1'-0"



DAMMON ENGINEERING, INC.

CHIEF ENGINEER
EMMETT DAMMON, P.E.

CHIEF ARCHITECT
ROBERT WILTSE

554 OLD SPANISH TRAIL
SLIDELL, LA. 70458
OFFICE: 985-649-5832
FAX: 985-641-5950

WEBSITE:
WWW.DAMMONENGINEERING.COM

EMAIL:
DAMMONENG@BELLSOUTH.NET

- ARCHITECTURE
- ENGINEERING
- STUDIES
- PLANNING
- INVESTIGATION
- EXPERT WITNESS

REROOFING OF ABNEY ELEM. SCHOOL

BLDG. B (#1978)
825 KOSTMAYER AVE.
SLIDELL, LA
70458

ROOF PLAN

REV:

SCALE: AS NOTED

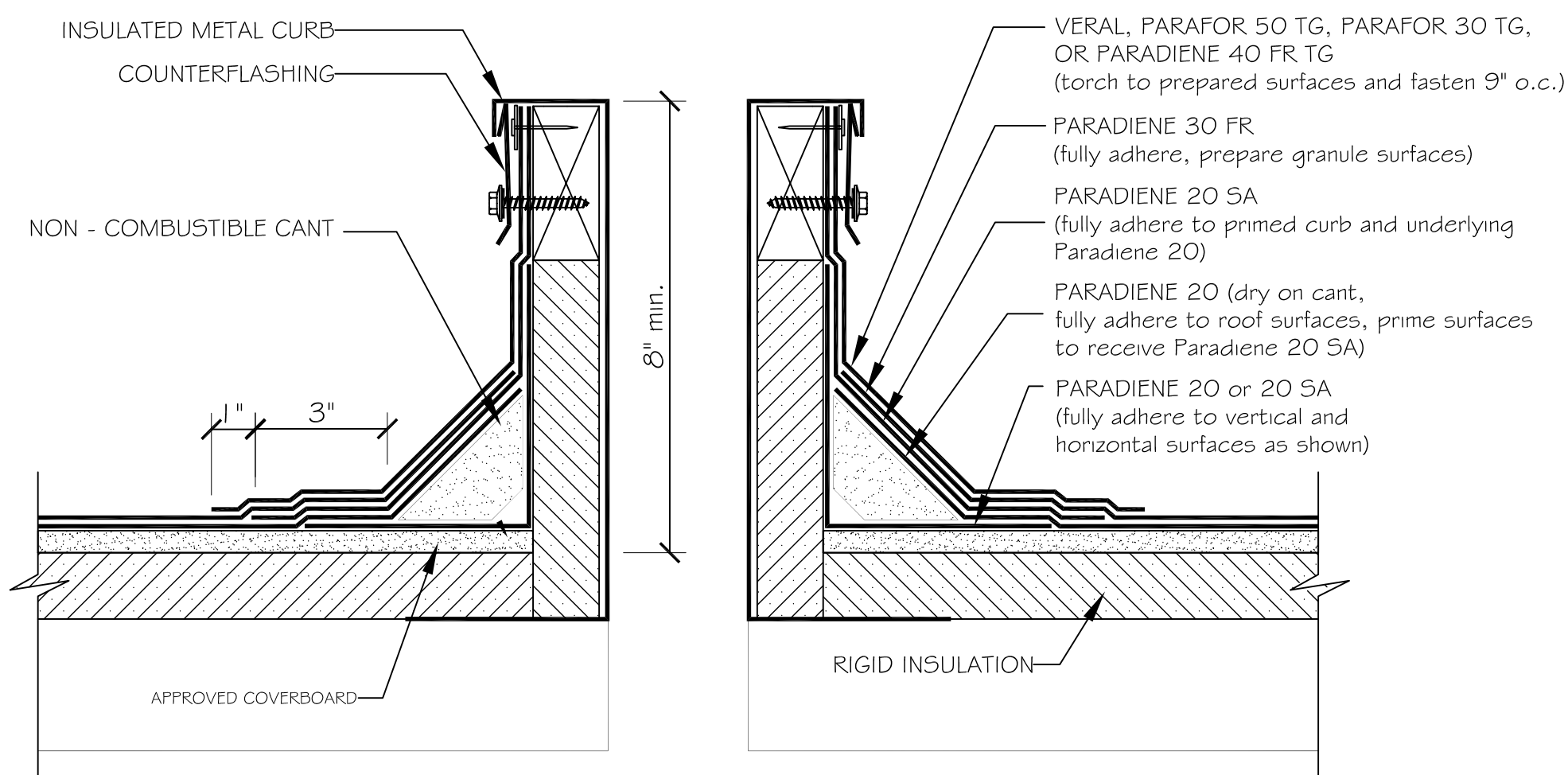
JOB#: 2145

DATE: 6-28-12

SHEET 3

A-1

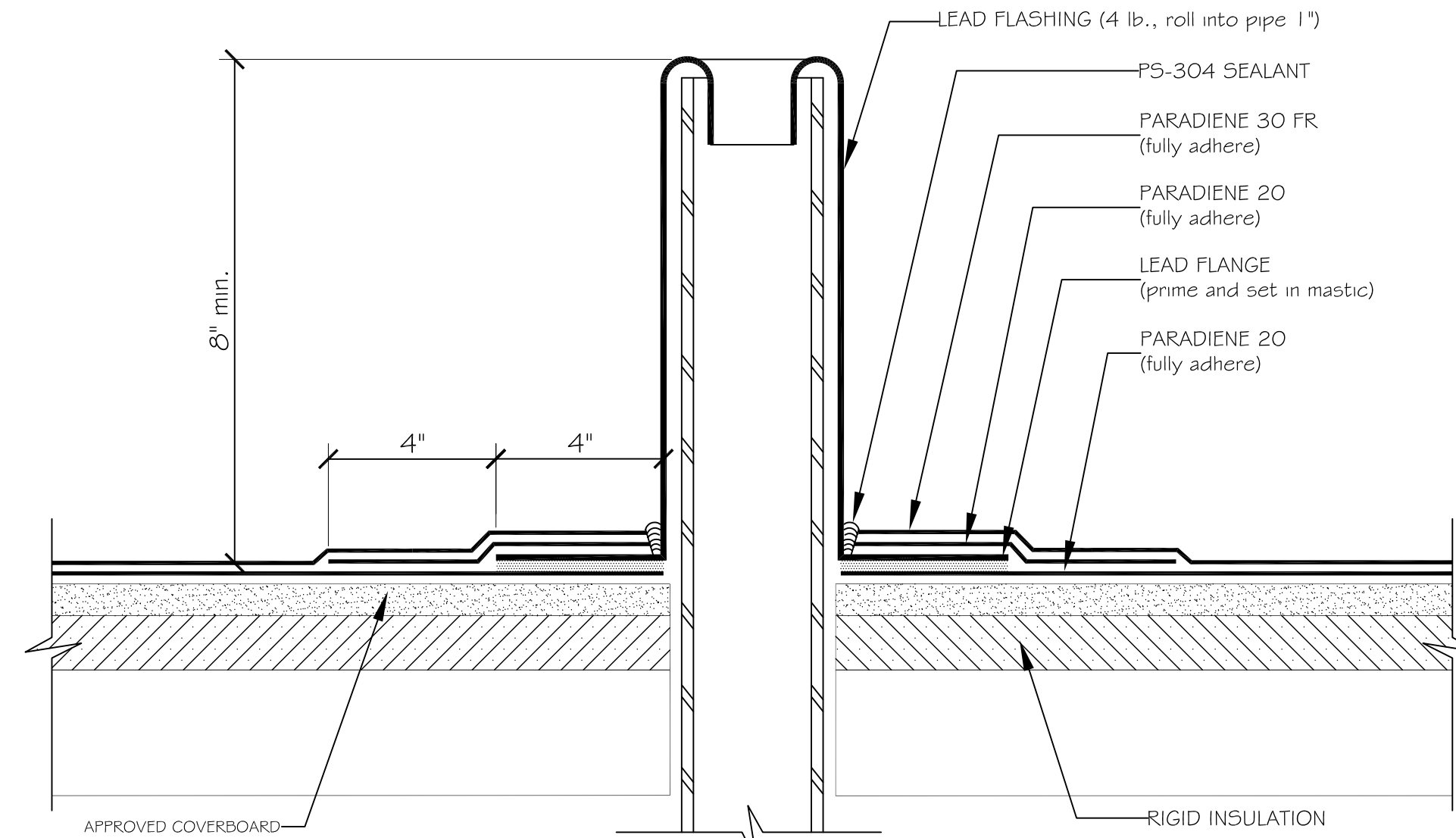
OF 5



HVAC CURB DETAIL

N.T.S.

- NOTES:
1. PREPARE GRANULE SURFACES UNDER FLASHING BY TORCH PREPARATION.
 2. WHERE PRIMER IS INDICATED TO MAINTAIN PROPER ADHESION, TA-119 PRIMER IS REQUIRED FOR ALL PARADIENE 20 SA FLASHING REINFORCING AND STRIPPING PLY APPLICATIONS. USE PA-1125 OR PA-917 LS FOR ALL NON-PARADIENE 20 SA APPLICATIONS. CONTACT SIPLAST FOR SPECIFIC REQUIREMENTS.
 3. THE CARPENTRY AND METAL WORK SHOWN DEPICTS SHOP FABRICATION AND JOB-SITE ASSEMBLY. THESE COMPONENTS SHOULD BE DESIGNED/FABRICATED/INSTALLED ACCORDING TO GENERALLY ACCEPTED INDUSTRY PRACTICES, STANDARDS, AND APPROVALS.
 4. DISSIMILAR METAL TYPES SUBJECT TO ELECTROLYTIC REACTION SHOULD BE PHYSICALLY SEPARATED.
 5. REQUIREMENTS AND RECOMMENDATIONS DETAILED IN SIPLAST SPECIFICATIONS SHALL APPLY IN ADDITION TO THE ABOVE DRAWING.

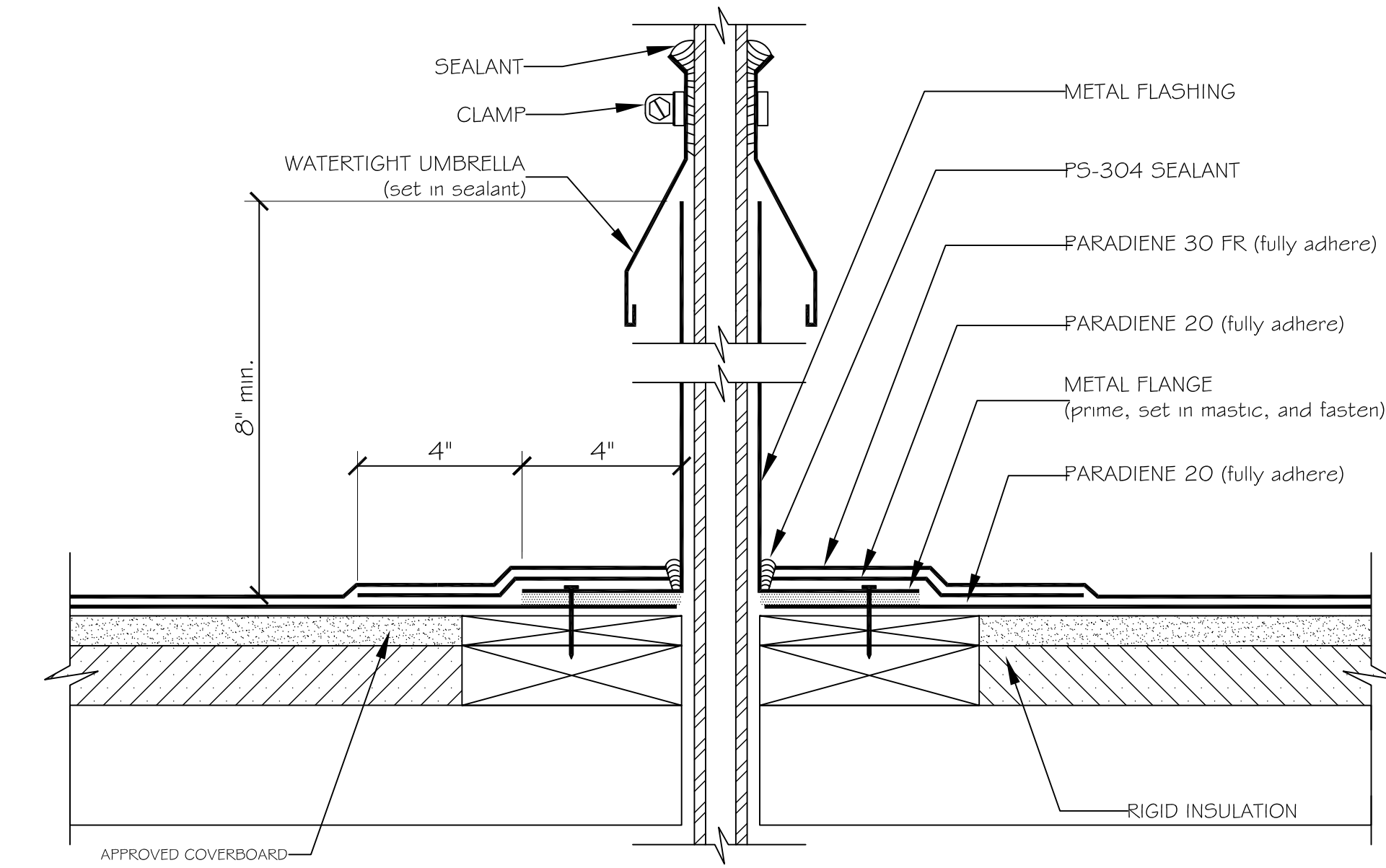


WASTE STACK DETAIL

N.T.S.

- NOTES:
1. WHERE PRIMER IS INDICATED TO MAINTAIN PROPER ADHESION, TA-119 PRIMER IS REQUIRED FOR ALL PARADIENE 20 SA FLASHING REINFORCING AND STRIPPING PLY APPLICATIONS. USE PA-1125 OR PA-917 LS FOR ALL NON-PARADIENE 20 SA APPLICATIONS. CONTACT SIPLAST FOR SPECIFIC REQUIREMENTS.
 2. REQUIREMENTS AND RECOMMENDATIONS DETAILED IN SIPLAST SPECIFICATIONS SHALL APPLY IN ADDITION TO THE ABOVE DRAWING.

CAUTION: SIPLAST RECOMMENDS THAT ALL PRACTICES PERTAINING TO NRCA CERTA GUIDELINES BE FOLLOWED WHEN TORCHING METHODS ARE EMPLOYED. THIS INCLUDES PERFORMING A FIRE WATCH FOLLOWING ANY TORCH APPLICATIONS. ALWAYS HAVE APPROVED FIRE-EXTINGUISHING EQUIPMENT NEARBY.

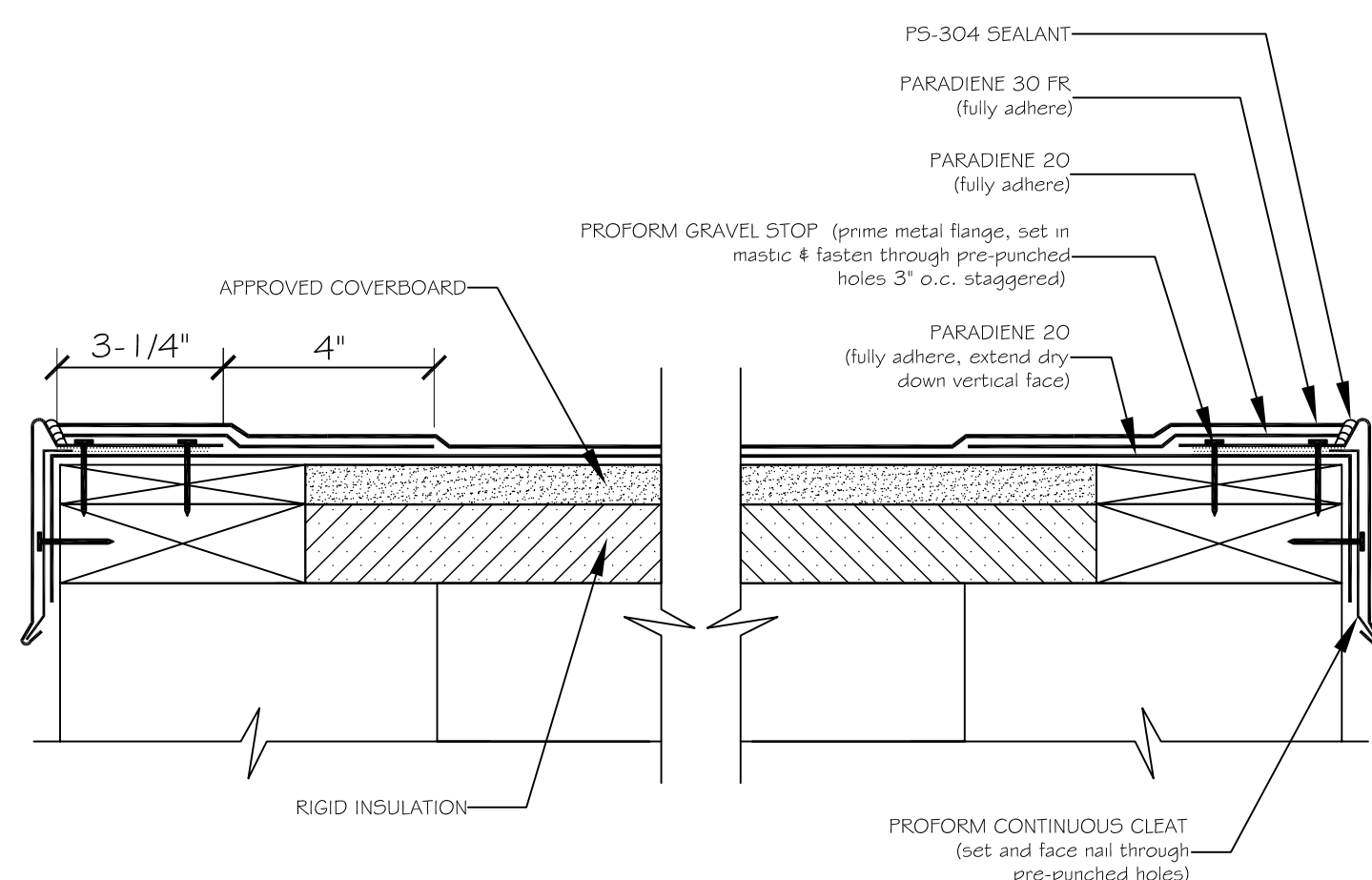


CONDUIT/SMALL PIPE PENETRATION DETAIL

N.T.S.

- NOTES:
1. WHERE PRIMER IS INDICATED TO MAINTAIN PROPER ADHESION, TA-119 PRIMER IS REQUIRED FOR ALL PARADIENE 20 SA FLASHING REINFORCING AND STRIPPING PLY APPLICATIONS. USE PA-1125 OR PA-917 LS FOR ALL NON-PARADIENE 20 SA APPLICATIONS. CONTACT SIPLAST FOR SPECIFIC REQUIREMENTS.
 2. THE CARPENTRY AND METAL WORK SHOWN DEPICT SHOP FABRICATION AND JOB-SITE ASSEMBLY. THESE COMPONENTS SHOULD BE DESIGNED/FABRICATED/INSTALLED ACCORDING TO GENERALLY ACCEPTED INDUSTRY PRACTICES, STANDARDS, AND APPROVALS.
 3. DISSIMILAR METAL TYPES SUBJECT TO ELECTROLYTIC REACTION SHOULD BE PHYSICALLY SEPARATED.
 4. REQUIREMENTS AND RECOMMENDATIONS DETAILED IN SIPLAST SPECIFICATIONS SHALL APPLY IN ADDITION TO THE ABOVE DRAWING.

CAUTION: SIPLAST RECOMMENDS THAT ALL PRACTICES PERTAINING TO NRCA CERTA GUIDELINES BE FOLLOWED WHEN TORCHING METHODS ARE EMPLOYED. THIS INCLUDES PERFORMING A FIRE WATCH FOLLOWING ANY TORCH APPLICATIONS. ALWAYS HAVE APPROVED FIRE-EXTINGUISHING EQUIPMENT NEARBY.

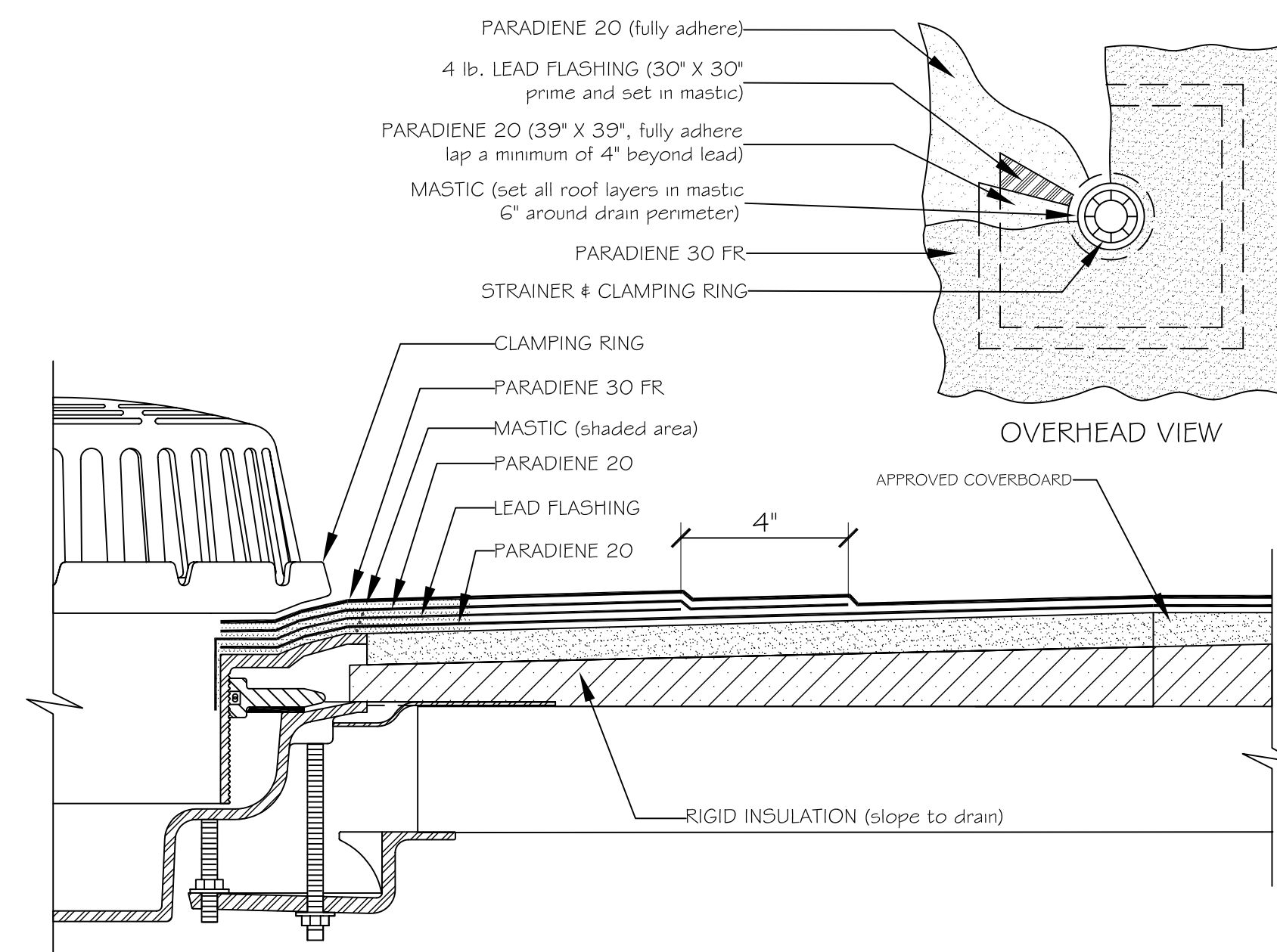


PROFORM GRAVEL STOP DETAIL

N.T.S.

- NOTES:
1. REFER TO THE PARAGUARD ROOF PERIMETER SYSTEMS INSTALLER'S GUIDE FOR INFORMATION ON PRODUCTS, SIZING, AND INSTALLATION OF THE PARAGUARD SYSTEM.
 2. WHERE PRIMER IS INDICATED TO MAINTAIN PROPER ADHESION, TA-119 PRIMER IS REQUIRED FOR ALL PARADIENE 20 SA FLASHING REINFORCING AND STRIPPING PLY APPLICATIONS. USE PA-1125 OR PA-917 LS FOR ALL NON-PARADIENE 20 SA APPLICATIONS. CONTACT SIPLAST FOR SPECIFIC REQUIREMENTS.
 3. PREPARE GRANULE SURFACES UNDER FLASHING BY TORCH PREPARATION.
 4. THE CARPENTRY SHOWN DEPICTS JOB-SITE ASSEMBLY AND SHOULD BE CONSTRUCTED ACCORDING TO GENERALLY ACCEPTED PRACTICES, STANDARDS, AND APPROVALS.
 5. REQUIREMENTS AND RECOMMENDATIONS DETAILED IN SIPLAST SPECIFICATIONS SHALL APPLY IN ADDITION TO THE ABOVE DRAWING.

CAUTION: SIPLAST RECOMMENDS THAT ALL PRACTICES PERTAINING TO NRCA CERTA GUIDELINES BE FOLLOWED WHEN TORCHING METHODS ARE EMPLOYED. THIS INCLUDES PERFORMING A FIRE WATCH FOLLOWING ANY TORCH APPLICATIONS. ALWAYS HAVE APPROVED FIRE-EXTINGUISHING EQUIPMENT NEARBY.

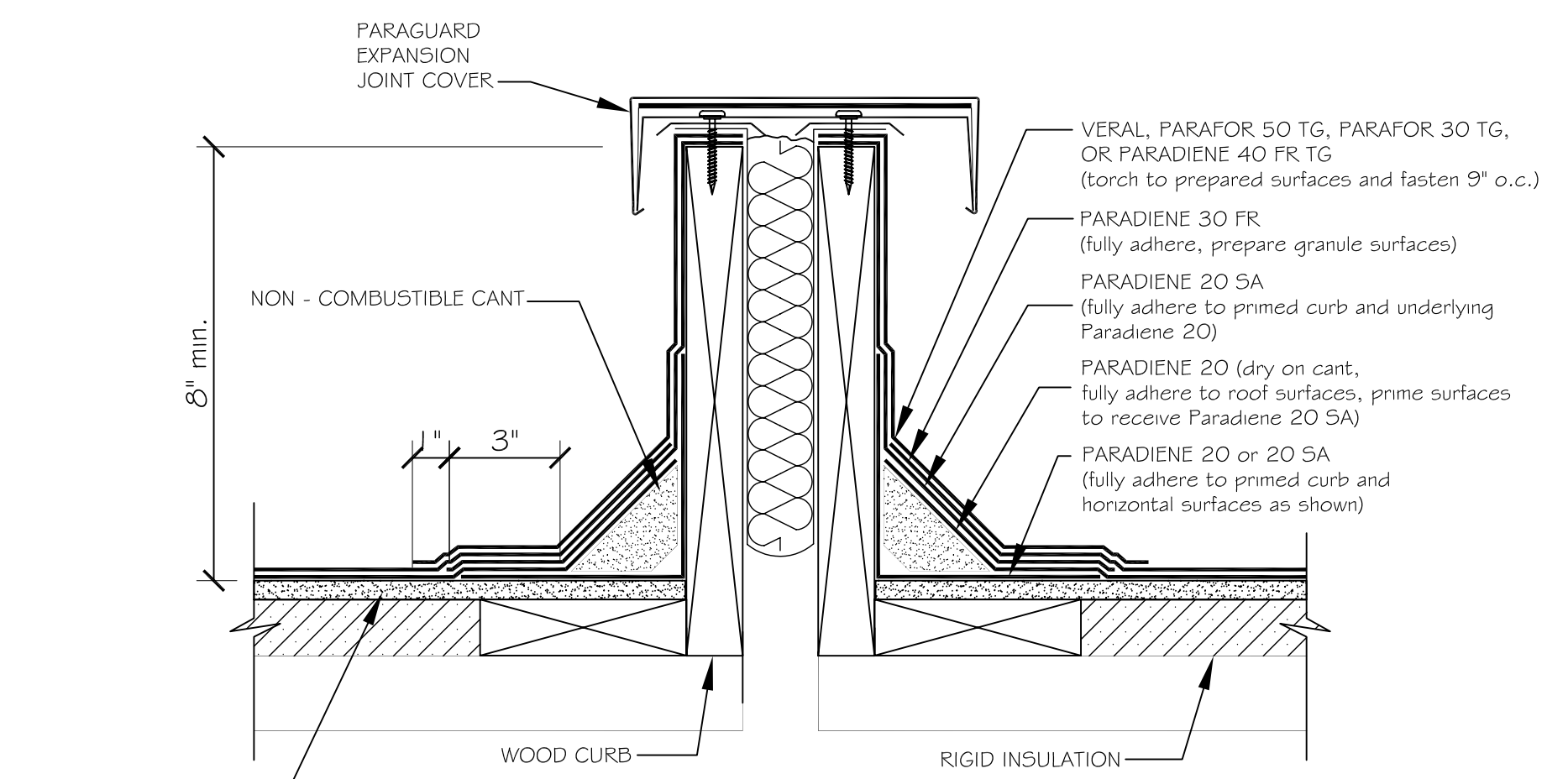


ROOF DRAIN DETAIL

N.T.S.

- NOTES:
1. WHERE PRIMER IS INDICATED TO MAINTAIN PROPER ADHESION, TA-119 PRIMER IS REQUIRED FOR ALL PARADIENE 20 SA FLASHING REINFORCING AND STRIPPING PLY APPLICATIONS. USE PA-1125 OR PA-917 LS FOR ALL NON-PARADIENE 20 SA APPLICATIONS. CONTACT SIPLAST FOR SPECIFIC REQUIREMENTS.
 2. ROOF DRAIN COMPONENTS AND INSTALLATION GUIDELINES ARE SUPPLIED BY THE DRAIN MANUFACTURER.
 3. REQUIREMENTS AND RECOMMENDATIONS DETAILED IN SIPLAST SPECIFICATIONS SHALL APPLY IN ADDITION TO THE ABOVE DRAWING.

CAUTION: SIPLAST RECOMMENDS THAT ALL PRACTICES PERTAINING TO NRCA CERTA GUIDELINES BE FOLLOWED WHEN TORCHING METHODS ARE EMPLOYED. THIS INCLUDES PERFORMING A FIRE WATCH FOLLOWING ANY TORCH APPLICATIONS. ALWAYS HAVE APPROVED FIRE-EXTINGUISHING EQUIPMENT NEARBY.

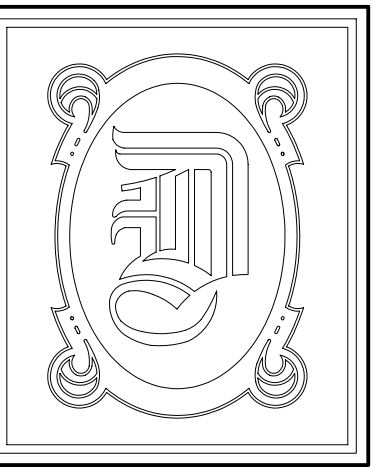


PARAGUARD EXPANSION JOINT DETAIL

N.T.S.

- NOTES:
1. REFER TO THE PARAGUARD ROOF PERIMETER SYSTEM INSTALLER'S GUIDE FOR INFORMATION ON PRODUCTS, SIZING, AND INSTALLATION OF THE PARAGUARD SYSTEM.
 2. WHERE PRIMER IS INDICATED TO MAINTAIN PROPER ADHESION, TA-119 PRIMER IS REQUIRED FOR ALL PARADIENE 20 SA FLASHING REINFORCING AND STRIPPING PLY APPLICATIONS. USE PA-1125 OR PA-917 LS FOR ALL NON-PARADIENE 20 SA APPLICATIONS. CONTACT SIPLAST FOR SPECIFIC REQUIREMENTS.
 3. PREPARE GRANULE SURFACES UNDER FLASHING BY TORCH PREPARATION.
 4. THE CARPENTRY WORK SHOWN DEPICTS SHOP FABRICATION AND JOB-SITE ASSEMBLY. THESE COMPONENTS SHOULD BE DESIGNED/FABRICATED/INSTALLED ACCORDING TO GENERALLY ACCEPTED INDUSTRY PRACTICES, STANDARDS, AND APPROVALS.
 5. DISSIMILAR METAL TYPES SUBJECT TO ELECTROLYTIC REACTION SHOULD BE PHYSICALLY SEPARATED.
 6. REQUIREMENTS AND RECOMMENDATIONS DETAILED IN SIPLAST SPECIFICATIONS SHALL APPLY IN ADDITION TO THE ABOVE DRAWING.

CAUTION: SIPLAST RECOMMENDS THAT ALL PRACTICES PERTAINING TO NRCA CERTA GUIDELINES BE FOLLOWED WHEN TORCHING METHODS ARE EMPLOYED. THIS INCLUDES PERFORMING A FIRE WATCH FOLLOWING ANY TORCH APPLICATIONS. ALWAYS HAVE APPROVED FIRE-EXTINGUISHING EQUIPMENT NEARBY.



DAMMON ENGINEERING, INC.

CHIEF ENGINEER
EMMETT DAMMON, P.E.

CHIEF ARCHITECT
ROBERT WILTSE

554 OLD SPANISH TRAIL
SLIDELL, LA. 70458
OFFICE: 985-649-5832
FAX: 985-641-5950

WEBSITE:
WWW.DAMMONENGINEERING.COM

EMAIL:
DAMMONENG@BELLSOUTH.NET

ARCHITECTURE

ENGINEERING

STUDIES

PLANNING

INVESTIGATION

EXPERT WITNESS

**REROOFING OF
ABNEY ELEM.
SCHOOL**

**BLDG. B (#1978)
825 KOSTMAYER AVE.
SLIDELL, LA
70458**

**ROOF
DETAILS**

REV:

SCALE: AS NOTED

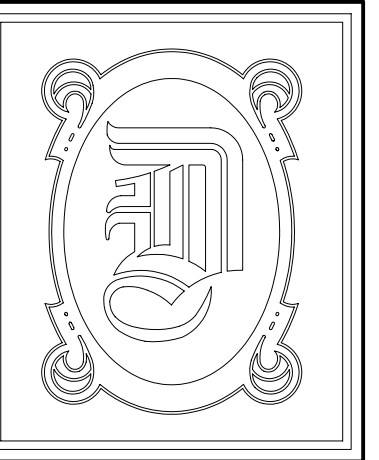
JOB#: 2145

DATE: 6-28-12

SHEET 4

A-2

OF 5



DAMMON
ENGINEERING, INC.

CHIEF ENGINEER
EMMETT
DAMMON, P.E.

CHIEF ARCHITECT
ROBERT
WILTSE

554 OLD SPANISH TRAIL
SLIDELL, LA. 70458
OFFICE: 985-649-5832
FAX: 985-641-5950

WEBSITE:
WWW.DAMMONENGINEERING.COM

EMAIL:
DAMMONENG@BELLSOUTH.NET

- ARCHITECTURE
- ENGINEERING
- STUDIES
- PLANNING
- INVESTIGATION
- EXPERT WITNESS

**REROOFING OF
ABNEY ELEM.
SCHOOL**

BLDG. B (#1978)
825 KOSTMAYER AVE.
SLIDELL, LA
70458

**ROOF
PHOTOS**

REV:

SCALE: AS NOTED

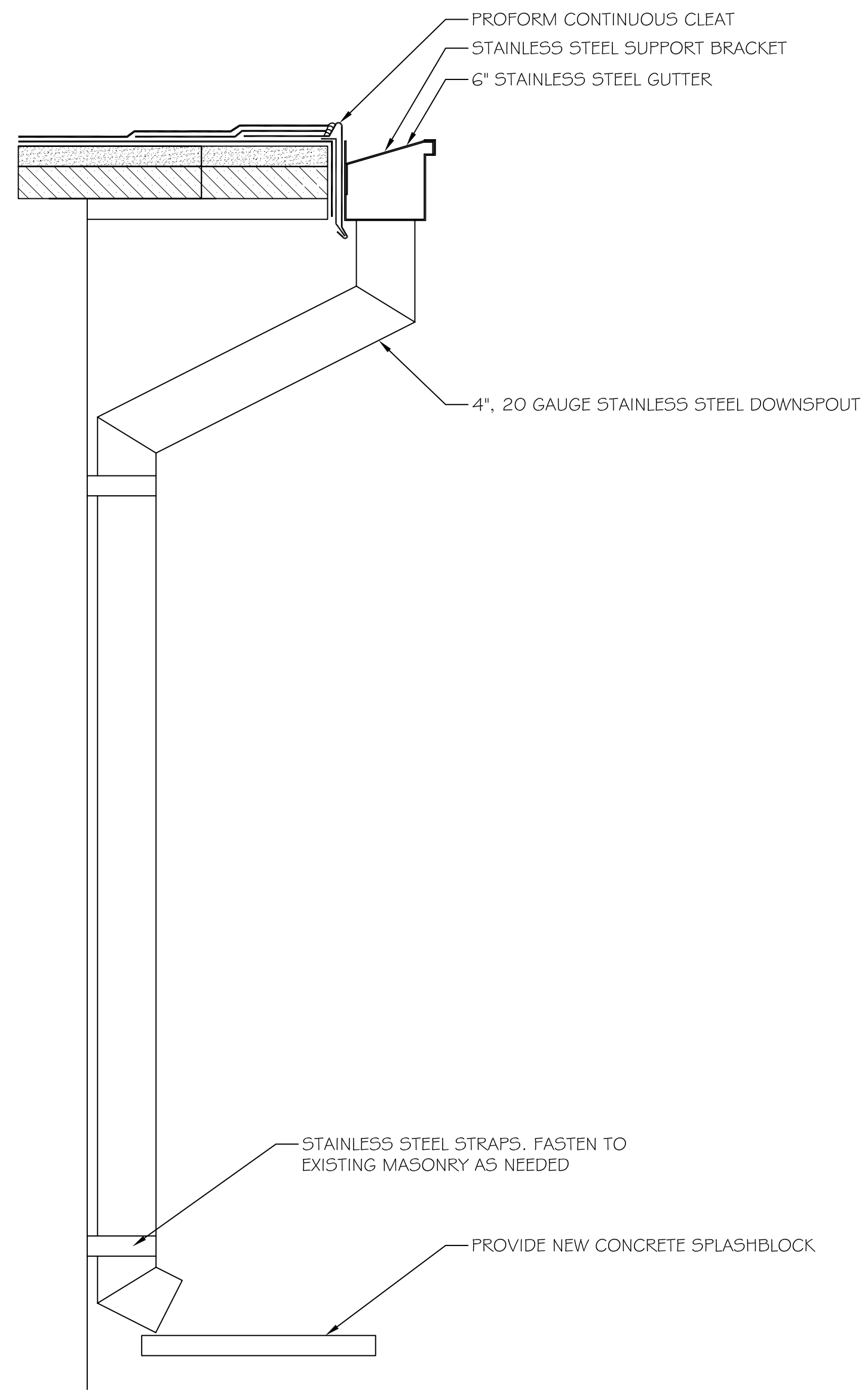
JOB#: 2145

DATE: 6-28-12

SHEET 5

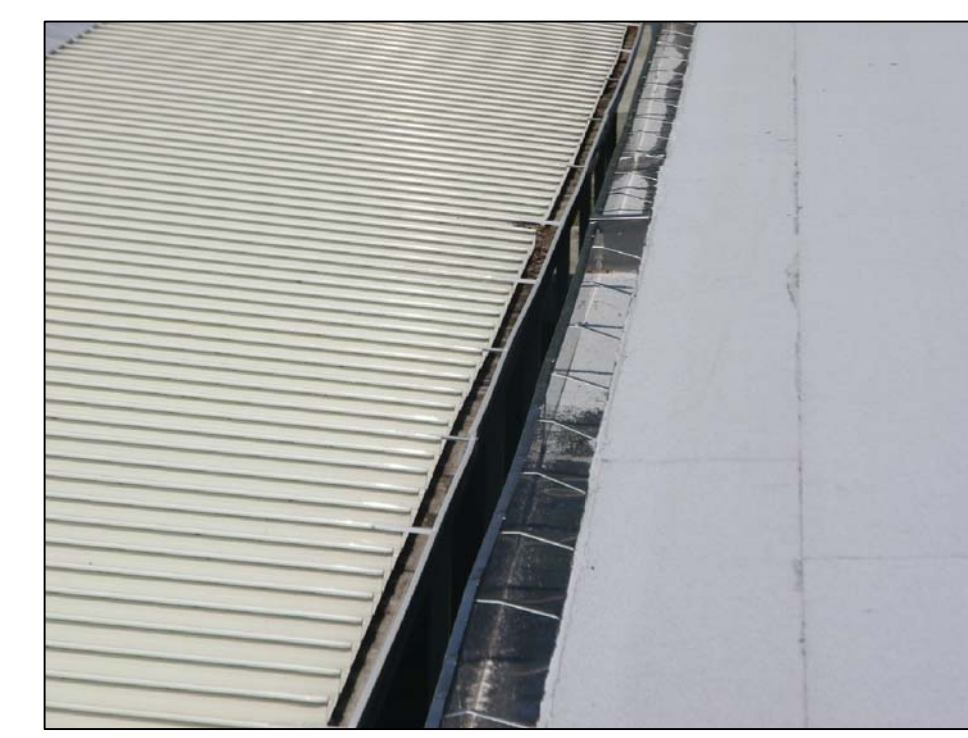
A-3

OF 5



GUTTER AND DOWNSPOUT DETAIL
N.T.S.

NOTE:
PROVIDE COMPLETE OPERATING STAINLESS STEEL GUTTER AND DOWNSPOUT
SYSTEM SIMILAR THE ADJACENT BUILDING. SEE PHOTOS BELOW



EXISTING BLDG.B (#1978) ROOF PHOTOS
N.T.S.