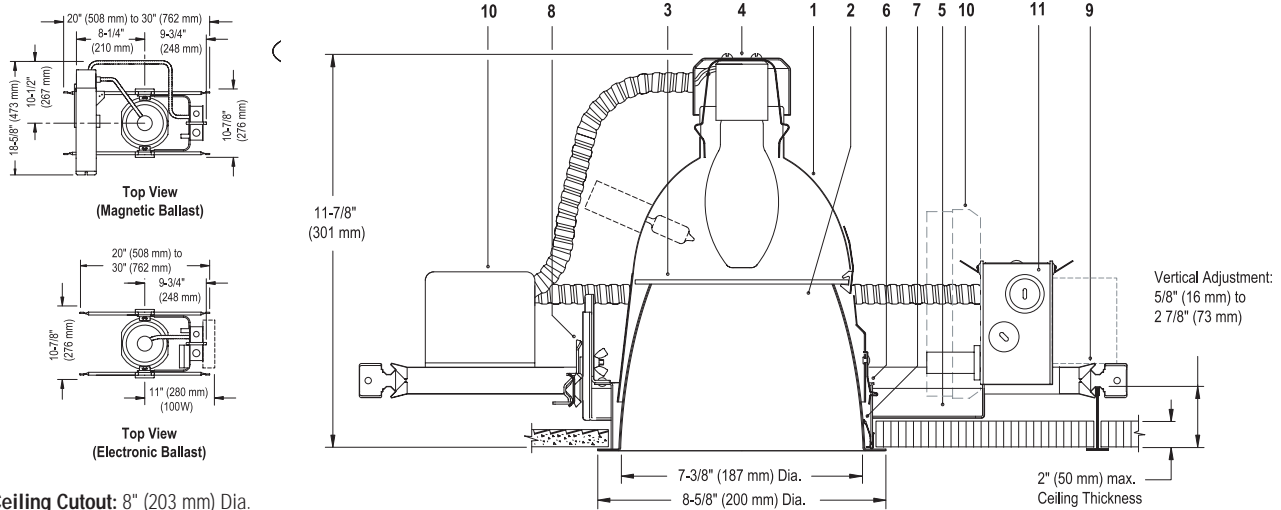




# Calculite® HID Downlight C7E17VW

Page 1 of 2

7" Aperture, ED17 (Enclosed), Ceramic Metal Halide, Wide Beam



Ceiling Cutout: 8" (203 mm) Dia.

Reflector Trim	Frame-In Kit	Lamp (Coated, Ceramic MH)
<b>C7E17VW CLW</b> Specular Clear, White Painted Flange.	<b>C770MHE1</b> Electronic 120V	70W ED17, BD17 (Enclosed)
<b>CLP</b> Specular Clear, Matching Flange.	<b>C770MHE2</b> Electronic 277V	70W ED17, BD17 (Enclosed)
<b>CCDW</b> Comfort Clear Diffuse, White Painted Flange.	<b>C710MHE1</b> Electronic 120V	100W ED17, BD17 (Enclosed)
<b>CCDP</b> Comfort Clear Diffuse, Matching Flange.	<b>C710MHE2</b> Electronic 277V	100W ED17, BD17 (Enclosed)
<b>CCZW</b> Champagne Bronze, White Painted Flange.	<b>C710MHU</b> Magnetic 120V/277V	70W ED17, BD17 (Enclosed)
<b>CCZP</b> Champagne Bronze, Matching Flange.	<b>C710MHU</b> Magnetic 120V/277V	100W ED17, BD17 (Enclosed)

## Features

- Upper Reflector:** Clear anodized aluminum, 0.040" (16-ga.). Provides wide beam distribution.
- Aperture Cone:** Provides 50° visual cut-off to lamp and lamp image; self-flange in painted white or aperture-matching polished flange. Consult factory for other finishes.
- Lamp Guard:** High heat resistant glass as required by code.
- Socket Housing:** Galvanized steel, snaps onto upper reflector for secure attachment without tools; assures proper lamp alignment to optics for consistent performance.
- Mounting Frame:** 0.048" (18-ga.) galvanized steel includes pre-installed mounting bars.
- Mounting Ring:** 0.048" (18-ga.) galvanized steel. Designed for vertical adjustment from above or below for ceilings from 0" to 2" thick. Center-line notches allow consistent alignment of multiple fixtures.
- Retention Springs:** Rust resistant springs secure cone in place for quick, tool-less installation.
- Frame Vertical Adjustment Mechanism:** Vertical adjustment mechanism accommodates mounting to virtually any ceiling system using pre-installed mounting bars, or 1/2" EMT tubing (by others). Single locking feature secures all adjustments. Alignment holes and markings allow fixture to be pre-set prior to installation.
- Mounting Bars:** 0.048" (18-ga.) Pre-installed, telescoping bars extend to 30" long and lock securely into position. Built-in locking tabs provide positive attachment to common T-bar systems. Self-centering feature simplifies installation in 24" O.C. grid systems. Attaches to steel or wood joists without accessories.
- Ballast:** Electronic 120V or 277V. Magnetic dual voltage (120V & 277V). Accessible from below for inspection and/or replacement without tools.
- Junction Box:** 0.048" (18-ga.) galvanized steel. UL listed for 8 No. 12 AWG, 90°C through branch circuit conductors; allows inspection from below.
- Thermal Protector:** (Not Shown) Meets NEC and UL requirements. Do not install insulation above nor within 3" (76mm) of any part of the luminaire.

## Electrical

**Electronic Ballast:** 120V or 277V, 50/60 Hz., enclosed, high-power factor, T.H.D. <15%, thermally and transient protected, RMI / RFI complies with FCC Part 18 non-consumer equipment, shut-down circuit at end of lamp life, sound rating "A", -5°F minimum starting temperature, Type 1 outdoor rating.

## Electrical (cont)

Ballast	ANSI Code	Voltage	Max. Amps	Input Watts
70W MH	M98/M143	120/277	0.67/0.28	78
100W MH	M90/M140	120/277	0.90/0.43	110

**Magnetic Ballast:** 120/277V dual voltage, 60 Hz., encased and potted, HX-HPF circuit type, high power factor, sound rating "B", -20°F minimum starting temperature, Type 1 Outdoor rating.

Ballast	ANSI Code	Voltage	Max. Amps	Input Watts
70W MH	M98/M143	120/277	1.90/0.80	94
100W MH	M90/M140	120/277	2.40/1.10	125

## Options and Accessories

**Auxiliary:** Add suffix **A** to Frame-In Kit and Reflector Trim. See Spec.Sheet "A".

**Emergency Lamp:** Add suffix **E** to Reflector Trim and Frame In Kit. See Spec.Sheet "E".

**Slope Ceiling Adapters:** See Specification Sheet SCA.

**Fuse** (magnetic ballast): Add suffix **F1** or **F2** to Frame In Kit (F1=120V, F2=277V)

**Chicago Plenum:** Consult Factory.

## Labels

UL (Suitable for Damp Locations), CSA (magnetic ballast only), I.B.E.W. For 100W electronic, install fixtures with minimum spacing: 2 feet from center-to-center of adjacent luminaires; 1/2 inch from top of luminaire to overhead building member; 1 foot from luminaire center to side building member.

Job Information	Type:
<b>Job Name:</b>	
<b>Cat. No.:</b>	
<b>Lamp(s):</b>	
<b>Notes:</b>	

Lightolier a Genlyte Thomas Company [www.lightolier.com](http://www.lightolier.com)  
 631 Airport Road, Fall River, MA 02720 • (508) 679-8131 • Fax (508) 674-4710  
 We reserve the right to change details of design, materials and finish.  
 © 2004 Genlyte Thomas Group LLC (Lightolier Division) • AO504

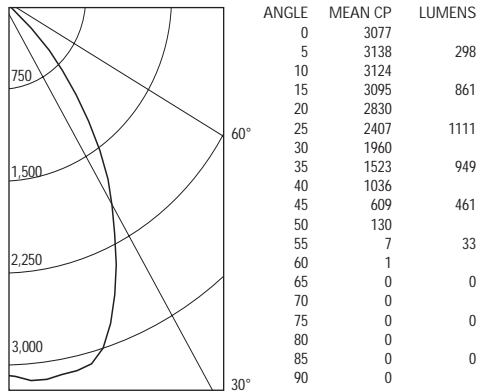
LIGHTOLIER®



# Calculite® HID Downlight C7E17VW

## 70W ED17 (ENCLOSED) PHILIPS CMH, LUMEN RATING = 6000 LMS, AROMAT ELECTRONIC BALLAST, CL FINISH REFLECTOR TRIM

### CANDLEPOWER DISTRIBUTION



### LUMINANCE SUMMARY CD. / SQ. M.

ANGLE	MEAN CD/SQ M
45	34796
55	475
65	0
75	0
85	0

### Coefficients of Utilization

CEILING	80%			70%			50%			30%		
	70	50	30	10	50	10	50	10	50	10	0	
WALL	Zonal Cavity Method - Effective Floor Cavity Reflectance = 20%											
RCR	Zonal Cavity Method - Effective Floor Cavity Reflectance = 20%											
0	.74	.74	.74	.74	.72	.72	.69	.69	.66	.66	.62	
1	.71	.69	.68	.66	.68	.65	.65	.63	.63	.61	.58	
2	.67	.65	.63	.61	.64	.60	.62	.59	.60	.57	.55	
3	.64	.61	.58	.56	.60	.55	.58	.55	.57	.54	.52	
4	.61	.57	.54	.52	.57	.51	.55	.51	.54	.50	.49	
5	.59	.54	.50	.48	.53	.48	.52	.47	.51	.47	.46	
6	.56	.51	.47	.45	.50	.45	.49	.44	.48	.44	.43	
7	.53	.47	.44	.42	.47	.41	.46	.41	.45	.41	.40	
8	.50	.44	.41	.38	.44	.38	.43	.38	.43	.38	.37	
9	.47	.42	.38	.35	.41	.35	.41	.35	.40	.35	.34	
10	.45	.39	.35	.33	.39	.33	.38	.33	.38	.33	.32	

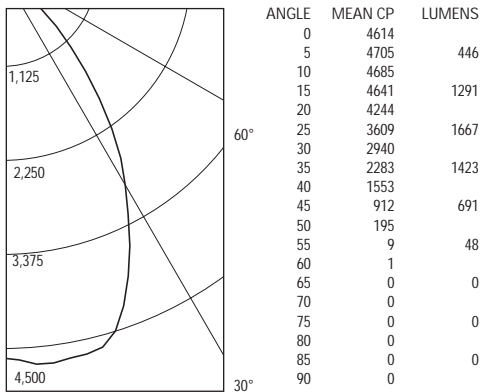
LUMINAIRE INPUT WATTS = 78.0

\*\* EFFICIENCY = 61.9% \*\*  
SC = 1.0

CERTIFIED TEST REPORT NO. 2412FR, DATE: JAN 12, 2004  
COMPUTED BY LSI PROGRAM \*\*TEST-LITE\*\*

## 100W ED17 (ENCLOSED) PHILIPS CMH, LUMEN RATING = 9000 LMS, AROMAT ELECTRONIC BALLAST, CL FINISH REFLECTOR TRIM

### CANDLEPOWER DISTRIBUTION



### LUMINANCE SUMMARY CD. / SQ. M.

ANGLE	MEAN CD/SQ M
45	52135
55	639
65	0
75	0
85	0

### Coefficients of Utilization

CEILING	80%			70%			50%			30%		
	70	50	30	10	50	10	50	10	50	10	0	
WALL	Zonal Cavity Method - Effective Floor Cavity Reflectance = 20%											
RCR	Zonal Cavity Method - Effective Floor Cavity Reflectance = 20%											
0	.74	.74	.74	.74	.72	.72	.69	.69	.66	.66	.62	
1	.70	.69	.67	.66	.68	.65	.65	.63	.63	.61	.58	
2	.67	.65	.63	.61	.64	.60	.62	.59	.60	.57	.55	
3	.64	.61	.58	.56	.60	.55	.58	.54	.57	.54	.52	
4	.61	.57	.54	.52	.57	.51	.55	.51	.54	.50	.49	
5	.58	.54	.50	.48	.53	.48	.52	.47	.51	.47	.46	
6	.56	.51	.47	.45	.50	.45	.49	.44	.48	.44	.43	
7	.53	.47	.44	.42	.47	.41	.46	.41	.45	.41	.40	
8	.50	.44	.41	.38	.44	.38	.43	.38	.43	.38	.37	
9	.47	.42	.38	.35	.41	.35	.41	.35	.40	.35	.34	
10	.45	.39	.35	.33	.39	.33	.38	.33	.38	.33	.32	

LUMINAIRE INPUT WATTS = 110.0

\*\* EFFICIENCY = 61.8% \*\*  
SC = 1.0

CERTIFIED TEST REPORT NO. 2509FR, DATE: MAR 3, 2004  
COMPUTED BY LSI PROGRAM \*\*TEST-LITE\*\*

**LIGHTOLIER®**

### Job Information

### Type:

Lightolier a Genlyte Thomas Company www.lightolier.com  
 631 Airport Road, Fall River, MA 02720 • (508) 679-8131 • Fax (508) 674-4710  
 We reserve the right to change details of design, materials and finish.  
 © 2004 Genlyte Thomas Group LLC (Lightolier Division) • A0504