

DAMMON ENGINEERING INC

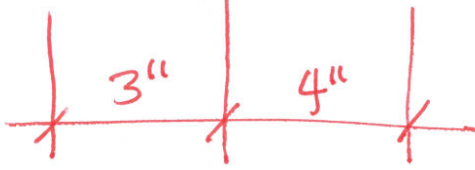
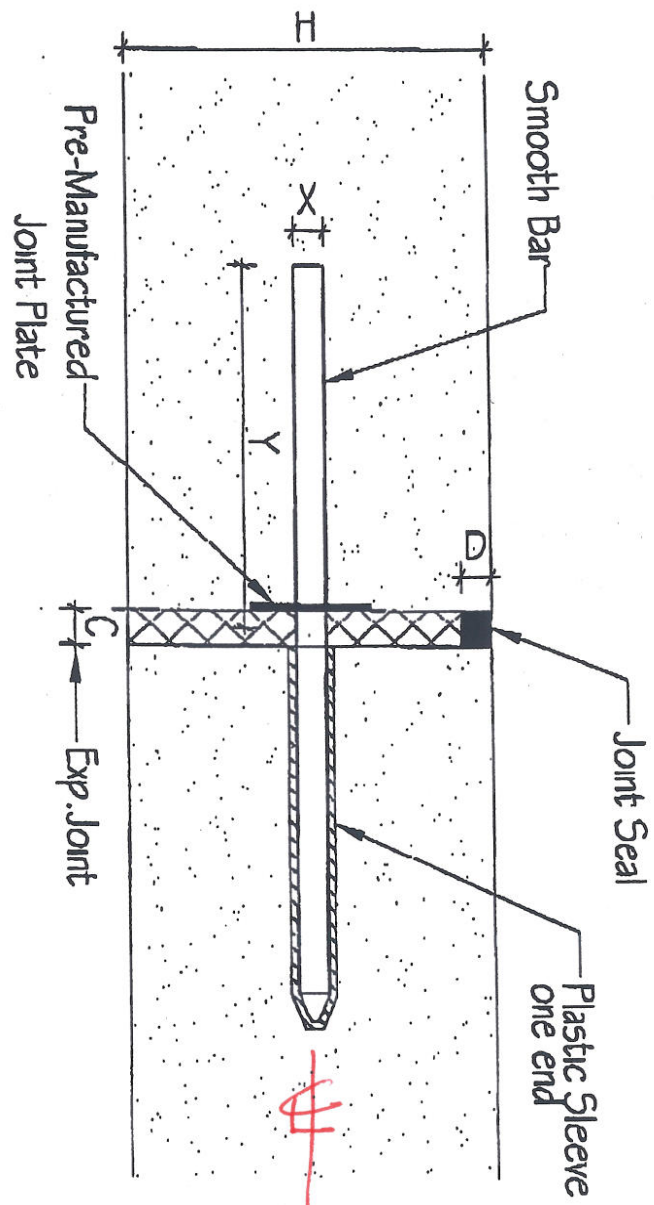
Date: 1.13.10 Project: Stennis ROF
Reviewed: _____
Reviewed as Noted: X
Revise and Resubmit: _____
Rejected: _____
Other: _____

Corrections or comments made on the shop drawings during this review do not relieve the contractor from compliance with requirements of the drawings and specifications. This check is only for review of the general conformance with the design concept of the project and general compliance with the information given in the contract documents. This contractor is responsible for: confirming and correlating all quantities and dimensions; selecting fabrication processes and techniques of construction; coordinating his or her work with that of all other trades and performing all in a safe and satisfactory manner.

Submittal Item: Expansion Jt.
Comments

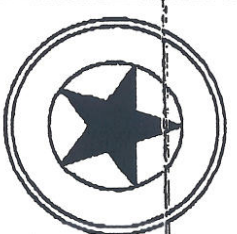
1/13/10 for expansion joint

Note: No dowels where adjoining building slabs.



Legend:	
C -	$\frac{3}{4}''$
D -	$\frac{1}{4}''$ + backered = 2" nominal
H -	7"
X -	$\frac{5}{8}''$
Y -	6"

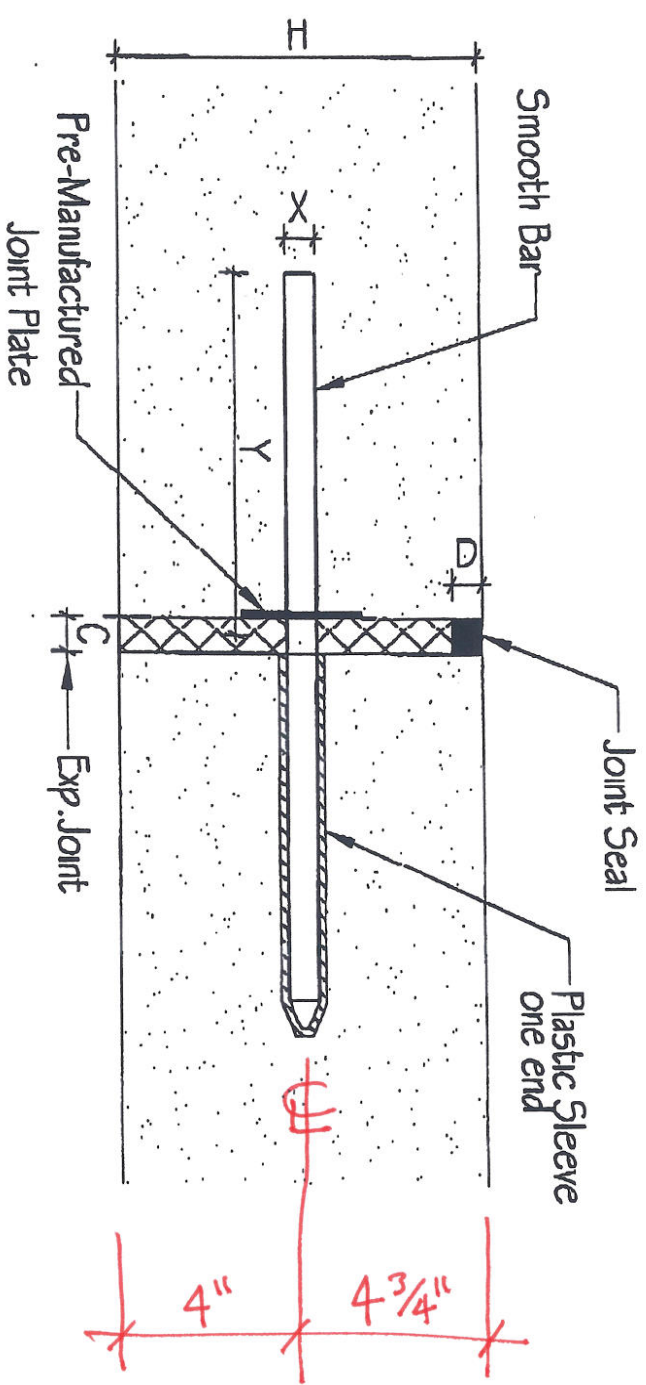
DOWEL TYPE EXPANSION JOINT
 Reinforcing Steel: A36 Black
 Exp. Joint: All heart merch Redwood Board



Lone Star Rebar, Inc.
 226 Tidwell Road
 Houston, Texas 77022
 (713) 695-9200

EXP. Jt. w/ Thickened Edge

Note: No dowels where adjoining building slabs



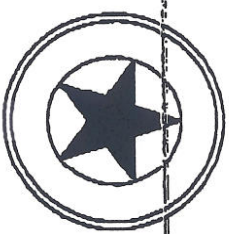
Legend:

C -	$\frac{3}{4}$ "
D -	$\frac{1}{4}$ " + backerrod = 2" nominal
H -	$8\frac{3}{4}$ "
X -	$5\frac{5}{8}$ "
Y -	6"

DOWEL TYPE EXPANSION JOINT

Reinforcing Steel: A36 Black

Exp. Joint: All heart merch Redwood Board



Lone Star Rebar, Inc.
226 Tidwell Road
Houston, Texas 77022
(713) 695-9200

Scotty Pipkins

From: Mark Paul [markpaul@lonestarrebar.com]
Sent: Monday, December 28, 2009 9:45 AM
To: Scotty Pipkins
Subject: Redwood Submittal information
Attachments: Redwood Spec Drawing.pdf

Scott

Thanks for your phone call, drawing attached, and description as follows:

Lone Star Rebar redwood expansion joints are a manufacturer assembled product consisting of a flat welded washer load installed at spec spacing with hex headed screw in all heart merch redwood. Washer loads are comprised of A36 steel smooth round bar tac welded onto a 2"x2.5" 12 guage punched plate. Wood thickness is typically 3/4" to 7/8" and height can be either net or nominal, per customer spec. Included with the assembled units are pre-stapled, precut poly tubing lengths, for jobsite installation.

Let me know if you have any questions, or if I can provide any further information.

Thanks

Mark Paul
Lone Star Rebar, llc
226 E. Tidwell Rd.
Houston, TX 77022

(w) 713.695.9200
(m) 281.740.3728
(f) 713.695.9933