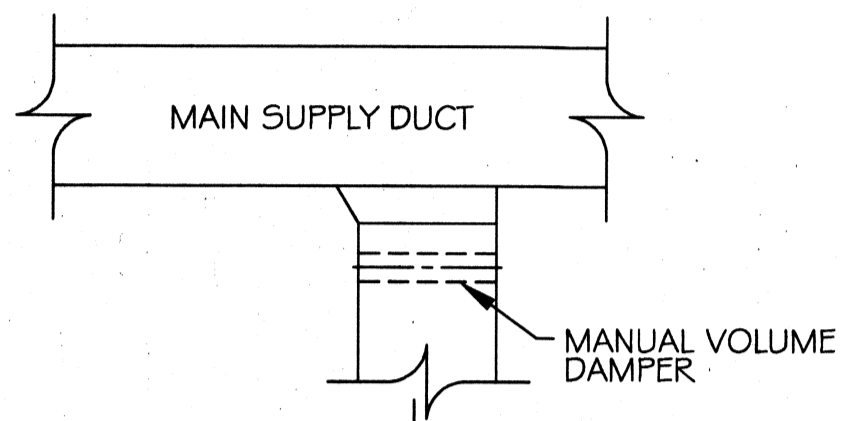
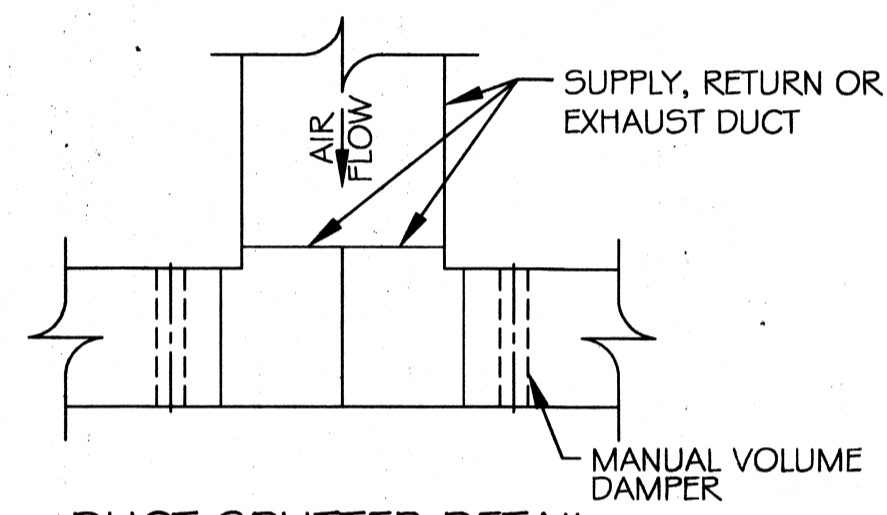


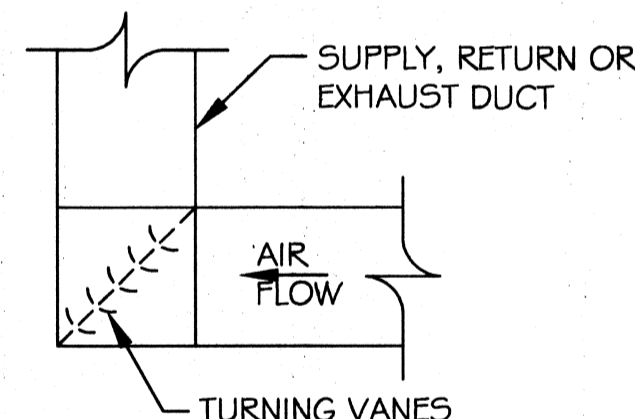
CONDENSING MOUNTING DETAIL
N.T.S.



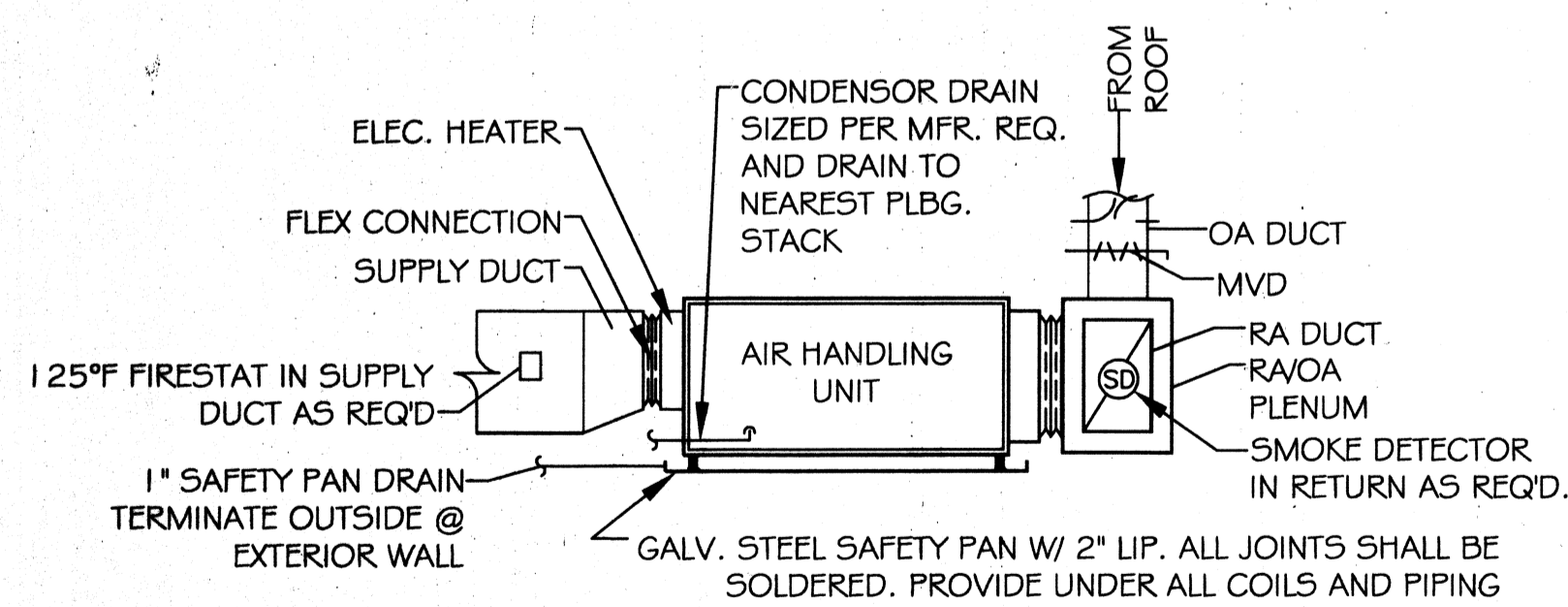
SUPPLY DUCT TAKE-OFF DETAIL
N.T.S.



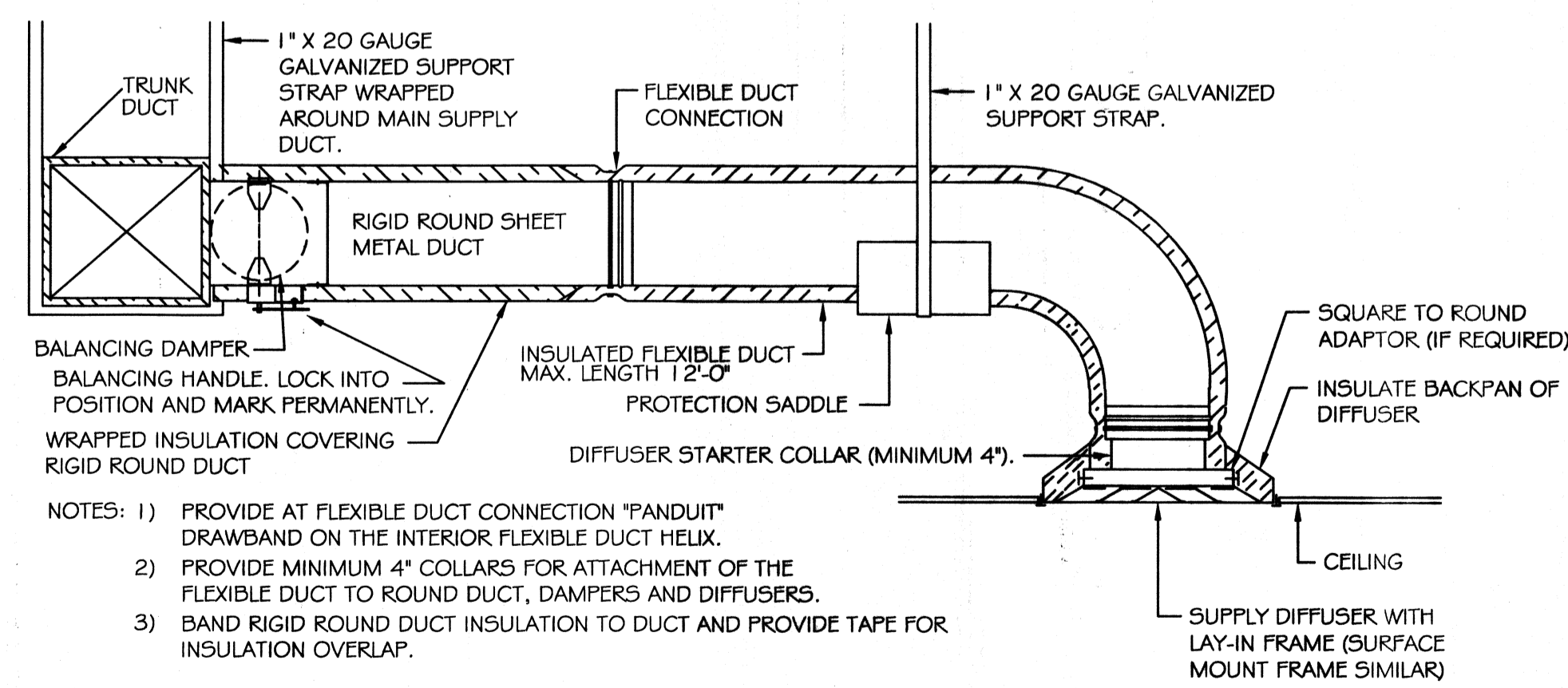
DUCT SPLITTER DETAIL
N.T.S.



SQUARE ELBOW DETAIL
N.T.S.



TYPICAL HORIZONTAL AHU DETAIL
SCALE: N.T.S.



DIFFUSER CONNECTION DETAIL-FLEX DUCT
N.T.S.

- HVAC NOTES**
1. CONCEALED DUCTWORK TO BE UL-181, CLASS 1, FIBERGLASS DUCTBOARD. DUCTS SHALL BE SIZED TO LIMIT MAIN DUCTS TO 1000 CFM & SECONDARY DUCTS TO 800 CFM. TO BE INSTALLED PER SMACNA STANDARDS.
 2. EXPOSED DUCTWORK TO BE GALVANIZED SHEET METAL PER SMACNA STANDARDS. LINE WITH NEOPRENE COATED 1.0\"/>

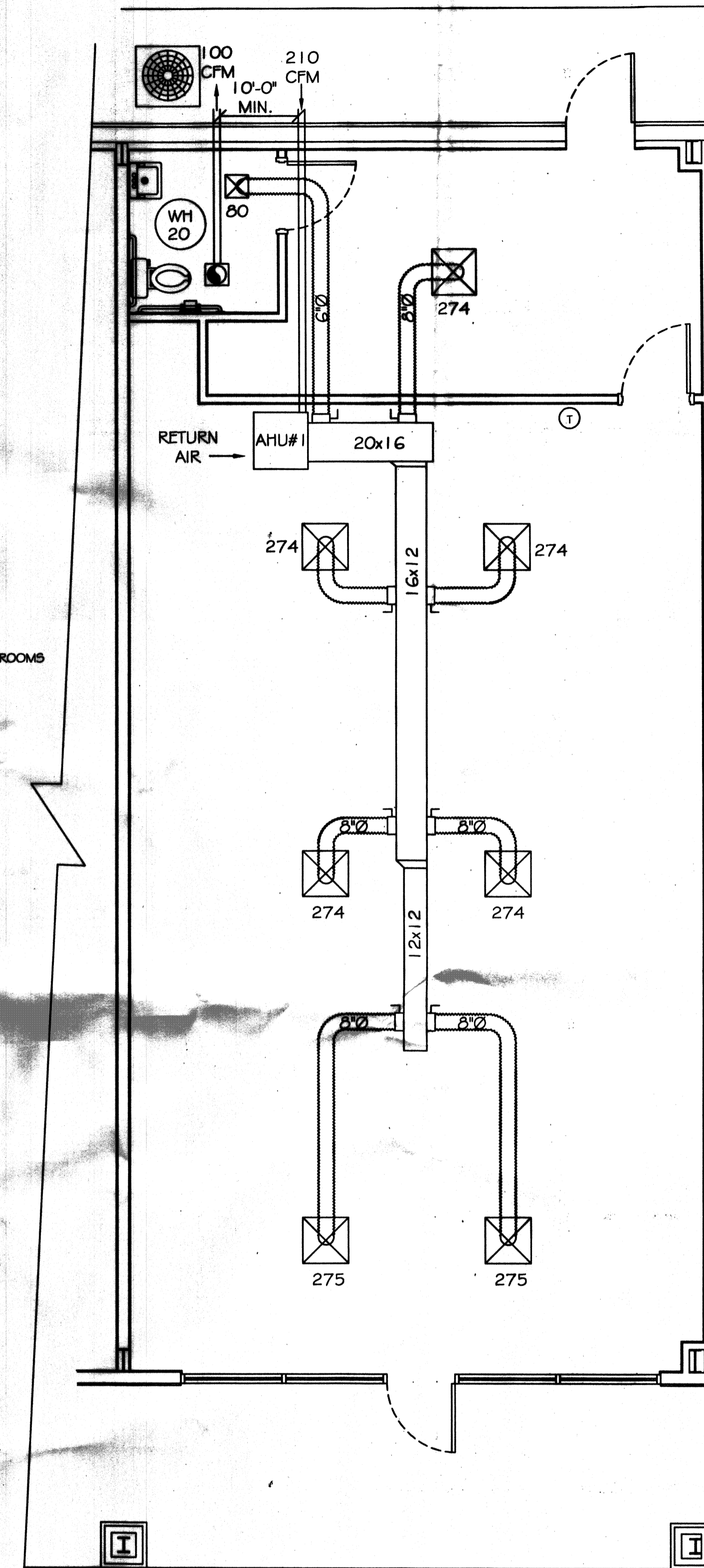
AC UNIT SCHEDULE

NO.	TOTAL BTU	CFM	O.A.	HEAT ELEC.	ELECTRICAL			COMMENTS
					VOLTAGE	MCA	CKT BRKR	
1	50,000 5.1TON	2,000	210	15 KW	208V, 3Ø	-	PNLI	

EXHAUST FAN SCHEDULE

FAN No.	CFM	VOLTAGE	TYPE	MANF.
EF-1	100	120	VENT/AUGHT	

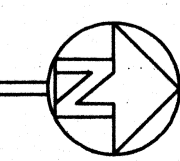
- LEGEND**
- ☒ 24x24 CEILING DIFFUSER
 - ☒ 12x12 DIFFUSERS IN TOILET ROOMS
 - Ⓜ VENT / LIGHT COMBINATION
 - Ⓢ THERMOSTAT
 - Ⓢ AC UNIT



REVIEWED FOR
STATE FIRE MARSHAL
AS PER REVIEW LETTER
BY: JULIE LITTLE ARCHITECT

422670

MECHANICAL PLAN
SCALE: 1/4" = 1'-0"



DUDLEY SMITH
PRINTING
TYLER SQUARE SUITE #1
59465 TYLER STREET
SUIDELLA

DATE: 10-03-12
JOB No.: 2152
DRAWN BY: BSN
CHECKED BY: BSN

REVISIONS	DATE	DESCRIPTION

Robert Witse

MECHANICAL PLAN

SHEET No: 3 OF 4

M-1