



PROJECT:

1/14/2022
Honey Island Elementary Job #21.247
 500 S Military Road
 Slidell, LA 70461

MECHANICAL ENGINEER:

Dammon Engineering, Inc.
 554 Old Spanish Trail
 Slidell, LA 70458
 Contact: Chuck
 985-649-5832

MECHANICAL CONTRACTOR:

Metro Mechanical, Inc.
 111 Lear Drive
 Hammond, LA 70401
 Contact: David White
 985-340-2009

HVAC Submittals

Description	Vendor	Contact
Exhaust Fan	CaptiveAire	Angie Eberly 985-781-4107 Reg27@econair.com
MUA Fan	CaptiveAire	Angie Eberly 985-781-4107 Reg27@econair.com
Test & Balance	Tech Test	Glenn Holstein 225-752-1664 office@techtestinc.com

DAMMON ENGINEERING, INC

Date: 01-17-22 Project: Honey Island Elementary

Reviewed: X

Reviewed as noted: _____

Revise and Resubmit: _____

Rejected: _____

Other: _____

Correction or comments made on the shop drawings during this review do not relieve the contractor from compliance with requirements of the drawings and specifications. This check is only for review of the general conformance with the design concept of the project and general compliance with the information given in the contract documents. This contractor is responsible for: confirming and correlating all quantities and dimensions, selecting fabrication processes and techniques of construction; coordinating his or her work with that of all other trades and performing all in a safe and satisfactory manner.

Submittal Item: HVAC Exhaust

Comments: _____

FOR QUESTIONS, CALL THE
Louisiana Office
REGION 27
PHONE: (985) 781-4107
EMAIL: reg27@econair.com

EXHAUST FAN INFORMATION - JOB#5148138

FAN UNIT NO	TAG	QTY	FAN UNIT MODEL #	MANUFACTURER	CFM	ESP	RPM	MOTOR ENCL	HP	BHP	PHASE	VOLT	FLA	DISCHARGE VELOCITY	WEIGHT (LBS)	SDINES
1	KEF-1	1	EABDU30HP	ECON-AIR	6300	1.500	776	DDP, PREMIUM	3.000	2.5400	3	208	8.7	981 FPM	434	15.1

MUA FAN INFORMATION - JOB#5148138

FAN UNIT NO	TAG	QTY	FAN UNIT MODEL #	BLOWER	HOUSING	MIN CFM	DESIGN CFM	ESP	RPM	MOTOR ENCL	HP	BHP	PHASE	VOLT	FLA	MDCP	WEIGHT (LBS)	SDINES	
2	KSF-1	1	EA-A1-G10	G10	A1	-	2520	0.500	877	DDP	1.500	0.8140	3	208	4.6	5.8A	15A	328	18.5
3	KSF-2	1	EA-A1-G10	G10	A1	-	2520	0.500	877	DDP	1.500	0.8140	3	208	4.6	5.8A	15A	328	18.5

FAN OPTIONS

FAN UNIT NO	TAG	QTY	DESCRIPTION
1	KEF-1	1	GREASE BOX
2	KSF-1	1	2 YEAR PARTS WARRANTY
3	KSF-2	1	2 YEAR PARTS WARRANTY

FAN ACCESSORIES

FAN UNIT NO	TAG	EXHAUST	SUPPLY
1	KEF-1	GRAVITY MOUNT DAMPER	GRAVITY MOUNT DAMPER
2	KSF-1		
3	KSF-2		

CURB ASSEMBLIES

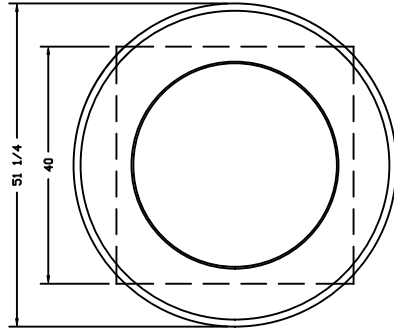
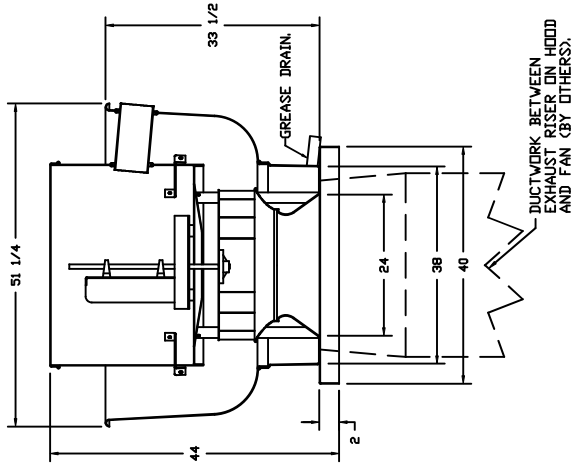
DN FAN NO	TAG	WEIGHT	ITEM	SIZE
1	KEF-1	45 LBS	EXHAUST ADAPTER	FROM 48.500"SQ TO 38.500"SQ X 9.000"H.
2	# 2	10 LBS	RAIL	4.000"W X 4.000"L X 36.000"H ALONG LENGTH, RIGHT.
3	# 3	10 LBS	RAIL	4.000"W X 4.000"L X 36.000"H ALONG LENGTH, RIGHT.
4	KSF-1	39 LBS	SUPPLY ADAPTER	FROM 49.000"SQ TO 31.500"SQ X 6.000"H.
5	KSF-2	39 LBS	SUPPLY ADAPTER	FROM 49.000"SQ TO 31.500"SQ X 6.000"H.

JOB Honey Island Elementary
LOCATION Slidell, LA, 70461
DATE 1/13/2022
JOB # 5148138
DWG # 1
DRAWN BY ASE
REV. SCALE 3/8" = 1'-0"



econ·air

FAN #1 EABDU30HP - EXHAUST FAN (KEE-1)



TOP VIEW

FEATURES:

- ROOF MOUNTED FANS.
- RESTAURANT MODEL.
- UL 705 AND UL762 AND ILC-8645.
- HIGH SOUND AND AIR CERTIFIED.
- WIRING FROM MOTOR TO DISCONNECT SWITCH.
- NEMA 3R SAFETY DISCONNECT SWITCH.
- HIGH HEAT OPERATION 300°F (149°C).
- GREASE CLASSIFICATION TESTING.

NORMAL TEMPERATURE TEST
 FAN MUST OPERATE CONTINUOUSLY
 WHILE EXHAUSTING AIR AT 300°F (149°C)
 UNTIL ALL FAN PARTS HAVE REACHED
 THERMAL EQUILIBRIUM, AND WITHOUT ANY
 DETERIORATING EFFECTS TO THE FAN WHICH
 WOULD CAUSE UNSAFE OPERATION.

ABNORMAL FLARE-UP TEST
 EXHAUST FAN MUST OPERATE CONTINUOUSLY
 WHILE EXHAUSTING BURNING GREASE VAPORS
 AT 600°F (316°C) FOR A PERIOD OF
 15 MINUTES WITHOUT THE FAN BECOMING
 DAMAGED TO ANY EXTENT THAT COULD CAUSE
 AN UNSAFE CONDITION.

OPTIONS

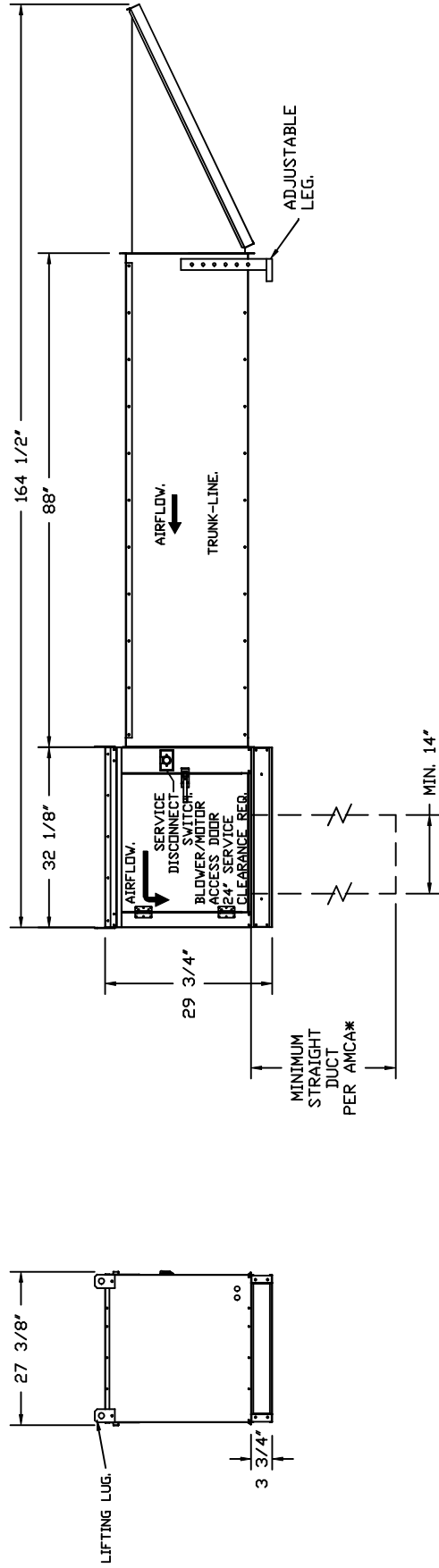
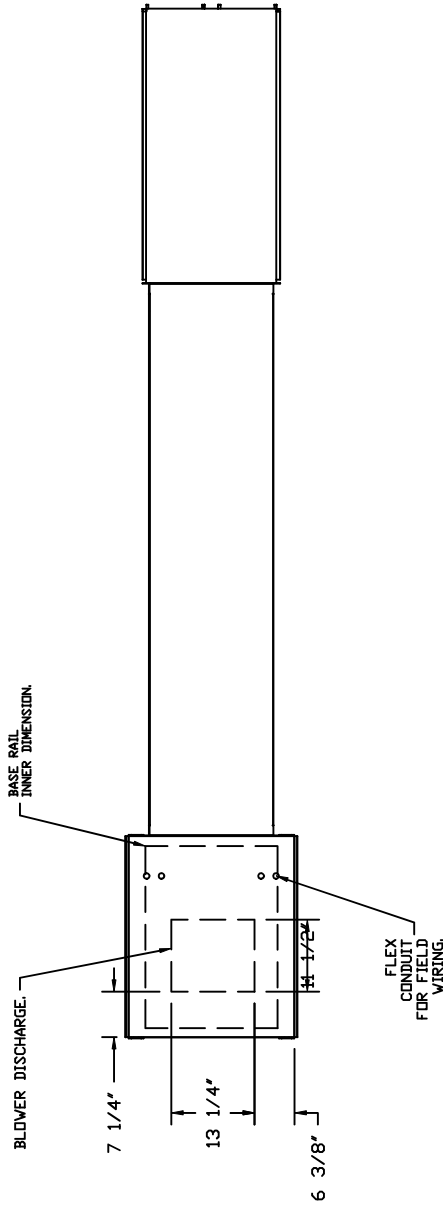
- GREASE BOX
- 2 YEAR PARTS WARRANTY.

JOB Honey Island Elementary	
LOCATION Slidell, LA, 70461	
DATE 1/13/2022	JOB # 5148138
DWG # 2	DRAWN BY ASE
REV.	SCALE 3/8" = 1'-0"



- FANS #2 (KSF-1) #3 (KSF-2) - EA-A1-G10 SUPPLY FAN
 1. UNTEMPERED SUPPLY UNIT WITH 10" BLOWER IN SIZE #1 HOUSING.
 2. TRUNKLINE W/INTAKE HOOD W/EZ FILTERS.
 3. DOWN DISCHARGE - AIR FLOW RIGHT -> LEFT.
 4. 2 YEAR PARTS WARRANTY

*NOTE: SUPPLY DUCT MUST BE INSTALLED TO MEET SMACNA STANDARDS. A MINIMUM STRAIGHT DUCT LENGTH MUST BE MAINTAINED DOWNSTREAM OF UNIT DISCHARGE AS OUTLINED IN AMCA PUBLICATION 201. WHEN USING RECTANGULAR DUCTWORK, ELBOWS MUST BE RADIUS THROAT, RADIUS BACK WITH TURNING VANES. FLEXIBLE DUCTWORK AND SQUARE THROAT/SQUARE BACK ELBOWS SHOULD NOT BE USED. ANY TRANSITION AND/OR TURNS IN THE DUCTWORK WILL CAUSE SYSTEM EFFECT. SYSTEM EFFECT WILL DRASTICALLY INCREASE STATIC PRESSURE AND REDUCE AIRFLOW. DO NOT RELY ON UNIT TO SUPPORT DUCT IN ANY WAY. FAILURE TO PROPERLY SIZE DUCTWORK MAY CAUSE SYSTEM EFFECTS AND REDUCE PERFORMANCE OF THE EQUIPMENT.
 SUGGESTED STRAIGHT DUCT SIZE IS 14" x 14".



JOB Honey Island Elementary	
LOCATION Slidell, LA, 70461	
DATE 1/13/2022	JOB # 5148138
DWG # 3	DRAWN BY ASE
REV.	SCALE 3/8" = 1'-0"

econ·air logo and various certification logos including UL, ETL, and Intertek.



GREASE DUCT & CHIMNEY SPECIFICATIONS:
 PROVIDE GREASE DUCT EQUAL TO ECON-AIR MODEL "EDW"
 ROUND 20 GAUGE 430 STAINLESS STEEL DUCTWORK. MODEL "EDW"
 IS LISTED TO UL-1978 AND IS INSTALLED USING "V" CLAMP LOCKING
 CONNECTIONS SEALED WITH 3M FIRE BARRIER 2000 PLUS. MODEL "EDW"
 DOES NOT REQUIRE WELDING PROVIDING IT HAS BEEN INSTALLED PER
 THE MANUFACTURES INSTALLATION GUIDE.
 PROVIDE RATED ACCESS DOORS AT EVERY CHANGE IN DIRECTION AND EVERY 12' ON CENTER.
 PER MANUFACTURES LISTING MODEL "EDW" HORIZONTAL RUNS LESS THAN 75 FT. CAN BE
 SLOPED 1/16" PER 12", HORIZONTAL RUNS MORE THAN 75 FT. CAN BE SLOPED 3/16" PER 12".
 DUCT SHOULD BE SLOPED AS MUCH AS POSSIBLE TO REDUCE THE CHANCE OF GREASE
 ACCUMULATION IN HORIZONTAL RUNS.

IF THE DUCT OR CHIMNEY IS WITHIN 18 INCHES OF COMBUSTIBLE MATERIAL, PROVIDE
 UL-2221 OR UL-103 HT LISTED DOUBLE WALL GREASE DUCT OR DOUBLE WALL CHIMNEY
 EQUAL TO ECON-AIR MODEL "EDW"- 2R, 2R TYPE HT, 3R, OR 3Z" ROUND 20 GAUGE 430
 STAINLESS INNER DUCT INSULATED WITH A 24 GAUGE 430 STAINLESS OUTER SHELL.

CUSTOMER APPROVAL TO MANUFACTURE:

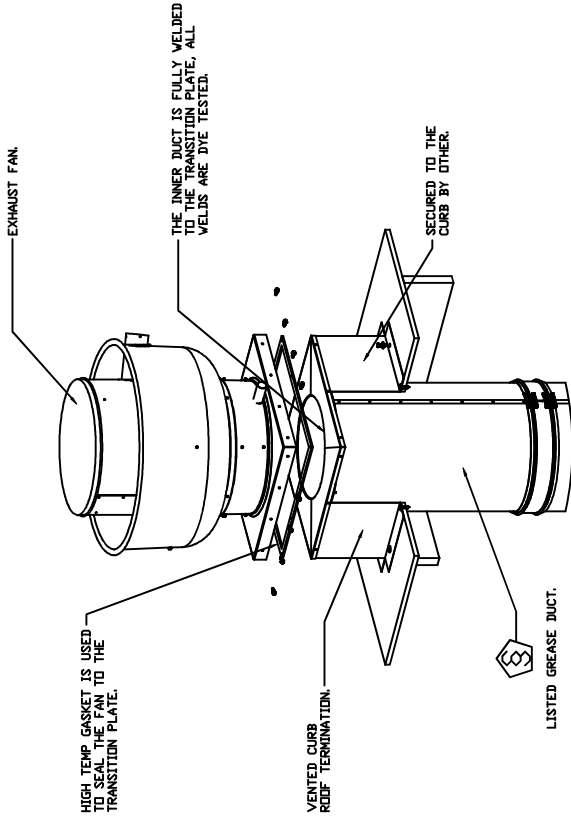
APPROVED AS NOTED

APPROVED WITH NO EXCEPTION TAKEN

REVISE AND RESUBMIT

SIGNATURE _____ DATE _____

YOUR TITLE _____



JOB Honey Island Elementary	
LOCATION Stidell, LA, 70461	
DATE	1/13/2022
DWG #	4
REV.	
JOB #	5148138
DRAWN BY ASE	
SCALE: 3/8" = 1'-0"	



Exhaust Fan Wiring

JOB 5148138 - Honey Island Elementary

DRAWING NUMBER EXH5148138-1

SHIP DATE 1/13/2022

MODEL EABDU30HP

Installed Options

Component Identification
Label Description Location

MT-01 Fan Motor [3]

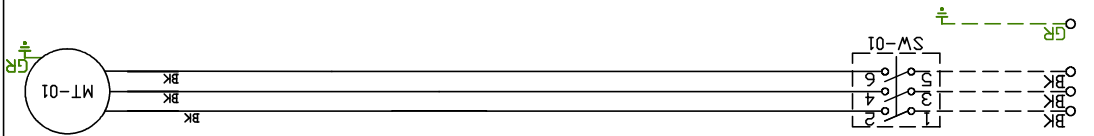
SW-01 Main disconnect switch [3]

MOTOR INFO EXHAUST
3HP-208V-3P-8.7FLA

ELECTRICAL INFORMATION
MOTOR/CTRL MCA: 15A
MOTOR/CTRL MDP: 15A

NOTES
--- DENOTES FIELD WIRING
_____ DENOTES INTERNAL WIRING

WIRE COLOR
BK - BLACK
BL - BLUE
GR - GREEN
GY - GRAY
BR - BROWN
DR - DRANGE
RD - RED
PK - PINK
PR - PURPLE
WH - WHITE
YV - YELLOW



23
22
21
20
19
18
17
16
15
14
13
12
11
10
9
8
7
6
5
4
3
2
1

AirHandler Wiring

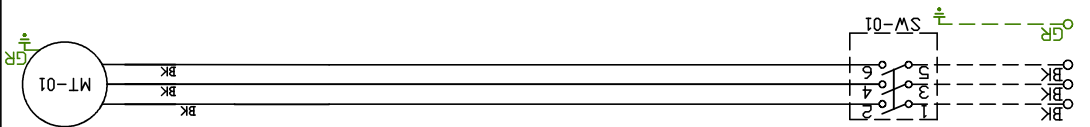
DRAWING NUMBER 45148138-2

SHIP DATE 1/13/2022

MODEL EA-A1-G10

JOB 5148138 - Honey Island Elementary

ATTENTION ELECTRICIAN!
 DROP FOR DISCONNECT CONNECTION
 IS FACTORY SUPPLIED
 CONNECT POWER TO THE DROP



Component Identification
 Label Description Location

MT-01 Supply motor [2]

SW-01 Main disconnect switch [2]

MOTOR INFO SUPPLY
 1.5HP-208V-3P-4.6FLA

ELECTRICAL INFORMATION
 MOTOR/CIRCUIT MCA: 9.8A
 MOTOR/CIRCUIT MDP: 15A

NOTES
 - - - - - DENOTES FIELD WIRING
 _____ DENOTES INTERNAL WIRING

WIRE COLOR

- BK - BLACK
- BL - BLUE
- GR - GREEN
- GY - GRAY
- BR - BROWN
- OR - ORANGE
- PR - PURPLE
- PK - PINK
- RD - RED
- WH - WHITE
- YV - YELLOW

23
22
21
20
19
18
17
16
15
14
13
12
11
10
9
8
7
6
5
4
3
2
1

AirHandler Wiring

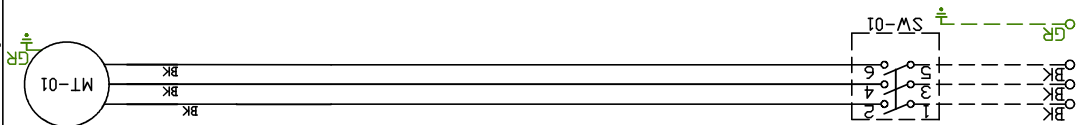
DRAWING NUMBER 45148138-3

SHIP DATE 1/13/2022

MODEL EA-A1-G10

JOB 5148138 - Honey Island Elementary

ATTENTION ELECTRICIAN!
 DROP FOR DISCONNECT CONNECTION
 IS FACTORY SUPPLIED
 CONNECT POWER TO THE DROP



Component Identification
 Label Description Location

MT-01 Supply motor [2]

SW-01 Main disconnect switch [2]

MOTOR INFO SUPPLY
 1.5HP-208V-3P-4.6FLA

ELECTRICAL INFORMATION
 MOTOR/CIRCUIT MCA: 5.8A
 MOTOR/CIRCUIT MDP: 15A

NOTES
 --- DENOTES FIELD WIRING
 - - - DENOTES INTERNAL WIRING

WIRE COLOR

- BK - BLACK
- BL - BLUE
- GR - GREEN
- GY - GRAY
- BR - BROWN
- OR - ORANGE
- PR - PURPLE
- PK - PINK
- RD - RED
- WH - WHITE
- YV - YELLOW

23
22
21
20
19
18
17
16
15
14
13
12
11
10
9
8
7
6
5
4
3
2
1

SYSTEM DESIGN VERIFICATION (SDV)

IF ORDERED, CAS SERVICE WILL PERFORM A SYSTEM DESIGN VERIFICATION (SDV) ONCE ALL EQUIPMENT HAS HAD A COMPLETE START UP PER THE OPERATION AND INSTALLATION MANUAL. TYPICALLY, THE SDV WILL BE PERFORMED AFTER ALL INSPECTIONS ARE COMPLETE.

ANY FIELD RELATED DISCREPANCIES THAT ARE DISCOVERED DURING THE SDV WILL BE BROUGHT TO THE ATTENTION OF THE GENERAL CONTRACTOR AND CORRESPONDING TRADES ON SITE. THESE ISSUES WILL BE DOCUMENTED AND FORWARDED TO THE APPROPRIATE SALES OFFICE. IF CAS SERVICE HAS TO RESOLVE A DISCREPANCY THAT IS A FIELD ISSUE, THE GENERAL CONTRACTOR WILL BE NOTIFIED AND BILLED FOR THE WORK. SHOULD A RETURN TRIP BE REQUIRED DUE TO ANY FIELD RELATED DISCREPANCY THAT CANNOT BE RESOLVED DURING THE SDV, THERE WILL BE ADDITIONAL TRIP CHARGES.

DURING THE SDV, CAS SERVICE WILL ADDRESS ANY DISCREPANCY THAT IS THE FAULT OF THE MANUFACTURER. SHOULD A RETURN TRIP BE REQUIRED, THE GENERAL CONTRACTOR AND APPROPRIATE SALES OFFICE WILL BE NOTIFIED. THERE WILL BE NO ADDITIONAL CHARGES FOR MANUFACTURER DISCREPANCIES.



JOB Honey Island Elementary	
LOCATION Slidell, LA, 70461	
DATE	1/13/2022
DWG #	8
JOB #	5148138
DRAWN BY ASE	
SCALE 3/8" = 1'-0"	



Associated Air Balance Council

Annual Membership Certificate

Awarded to

Tech-Test, Inc. of Louisiana

as a member in good standing of the Associated Air Balance Council for the year

2021

This member has met all requirements for membership and is entitled to all rights and privileges of AABC certification. This certificate is renewable on an annual basis and expires December 31, 2021.



Michael S. Kelly

Michael S. Kelly, President

R. Bert

Raymond R. Bert, Executive Director



Associated Air Balance Council

Annual Certificate

Awarded to

Thomas Holstein

Tech-Test, Inc. of Louisiana

In recognition of his qualifications as a

Certified Test and Balance Engineer

under the rules, regulations, and requirements of the Associated Air Balance Council. The above named is fully authorized to perform total system balance in accordance with the standards as established by the AABC and as a member of the Associated Air Balance Council for the year

2021

*This registration number **12-05-85** is fully recognized by the bylaws and charter of this professional association. Certification is renewable on an annual basis after examination of the agency's record for the preceding year. This certificate expires December 31, 2021.*



Michael S. Kelly, President

Raymond R. Bert, Executive Director



Annual Membership Certificate

Awarded to

Tech Test Inc. of Louisiana

as a member in good standing of the AABC Commissioning Group for the year

2021

This company has met all requirements for membership and is entitled to all rights and privileges thereof. This certificate is renewable on an annual basis and expires December 31, 2021.

A handwritten signature in blue ink, appearing to read 'Troy Byers', written over a horizontal line.

Troy N. Byers, PE., CxA, President

A handwritten signature in blue ink, appearing to read 'Ray Bert', written over a horizontal line.

Ray Bert, Executive Director



hereby certifies that

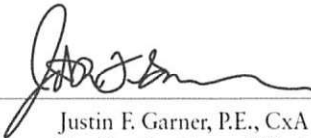
Thomas R. Thompson
Tech Test Inc. of Louisiana

has met all prerequisites demonstrating independence and the technical, management, and communications skills required to implement the commissioning process in new and existing buildings, and passed the necessary examination to be awarded this certificate in recognition of their qualifications as an ACG

Certified Commissioning Authority

Registration number: 517-1565 . This certificate, valid only for the year 2021, is renewable on an annual basis upon meeting all requirements noted in the CxA Candidate Handbook.




Justin F. Garner, P.E., CxA
Certification Council Chair


Ray Bert
ACG Executive Director



AABC National Performance Guaranty

Pursuant to the agreement between

_____ AABC Certified Testing & Balancing Agency

and _____

Client

All systems shall be balanced in accordance with the plans and specifications and to the optimum performance capabilities of the equipment and design. Testing and balancing shall be done in accordance with the standards published by the Associated Air Balance Council.

If for any reason, the Agency listed above fails to comply with the specifications, with the exception of termination of business by the Agency, equipment malfunction or inadequacy, or improper design, which prevents proper balancing of the systems, the Associated Air Balance Council will provide supervisory personnel to assist the Agency to perform the work in accordance with AABC Standards.

As part of this Performance Guaranty, the engineer or building owner may call upon AABC to assist him with any technical and/or field problems pertaining to the final balanced condition of systems. These services will be made available at no additional charge by the above agency or by AABC National Headquarters.

Project Name _____

Address _____

Name of Engineer _____

Engineering Firm _____

Address _____

Date _____

TBE # _____

By _____

AABC Certified TBE



AABC
Associated Air
Balance Council

AABC National Headquarters
1518 K Street, N.W.
Washington, D.C. 20005
1-800-969-5222

NATIONAL PROJECT CERTIFICATION PERFORMANCE GUARANTY

Pursuant to the agreement between:

_____ **AABC CERTIFIED TESTING & BALANCING AGENCY**

and _____
the certified testing and balancing agency, will test and balance all systems in accordance with the plans and specifications as prepared by:

All systems as outlined in these specifications shall be balanced to optimum performance capabilities, of the equipment and design. Testing and balancing shall be done in accordance with the standards as published by the Associated Air Balance Council.

If for any reason, the Agency listed above, fails to comply with the specifications, with the exception of equipment malfunction or inadequacy, or improper design, which prevents proper balancing of systems, the Associated Air Balance Council will provide complete instrumentation and certified personnel, to test and balance these systems. In the case of technical problems, which the above Agency cannot, or is not prepared to solve, AABC will provide complete technical assistance to this agency from its source of Professional Test & Balance Engineers.

As part of this Certifications Guaranty, the engineer, or architect may call upon AABC to assist him with all technical problems, or field problems pertaining to the final balanced condition of systems. No extra charges for these services, will be made by the above agency or by AABC National Headquarters.

Registration Number _____ Project _____

Date _____ Architect _____

Consulting Engineer _____

Copy Registered With National Headquarters

Date _____

A A B C Headquarters
1000 Vermont Avenue, N.W.
Washington, D.C. 20005

by _____ **CERTIFIED AABC AGENCY**





TECH TEST, INC. OF LOUISIANA

P.O. Box 65008 • Baton Rouge, Louisiana 70896

• Telephone (225) 752-1664
Air Balancing • Hydraulic Testing • Energy Conservation

William J. Holstein
Glenn Holstein

Gentlemen:

We are pleased to advise that all testing will be in strict accordance with National Standards for Field Measurements and Instrumentation – Total System Balance – 1973 Edition – Volume Two No. 12173 – Associated Air Balance Council, of which our company is a member.

Enclosed please find the Test and Balance Procedure, Instrument List, and the forms which will be used in submitting the results.

Respectfully submitted,

Glenn Holstein, TBE

MEMBER OF ASSOCIATED AIR BALANCE COUNCIL



ASSOCIATED AIR BALANCE
COUNCIL

TEST AND BALANCE ANALYSIS REPORT
FOR

JOB _____

CONTRACTOR _____

ARCHITECT _____ ENGINEER _____

C_x AGENT _____ TTPJ# _____

CERTIFICATION:

AIR DISTRIBUTION SYSTEM HAS BEEN COMPLETELY BALANCED AS PER
REQUIREMENTS OF SPECIFICATIONS AND RESULTS FOR TESTS HEREIN LISTED.

CERTIFICATION NO. 12-05-85

BY _____

DATE _____ APPROVED _____

GLENN HOLSTEIN, TBE

TECH TEST INC. OF LA.
P. O. BOX 65008
BATON ROUGE, LA. 70896



TECH TEST, INC. OF LOUISIANA

P.O. Box 65008 • Baton Rouge, Louisiana 70896

Telephone (225) 752-1664
Air Balancing • Hydronic Testing • Energy Conservation

William J. Holstein
Glenn Holstein

INSTRUMENT LIST

1. DIRECT AIR VELOCITY AND PRESSURE INSTRUMENTS:
 - A. SHORTRIDGE MODEL ADM-870C ELECTRONIC MANOMETER
RANGES: 0 TO 30,000 FPM PITOT TUBE; 0 TO 2,500 FPM VELGRID; 0 TO 5,000 FPM AIRFOIL;
.0001" H₂O TO OVER 60.00" H₂O
 - B. ALNOR MODEL RV ROTATING VANE ANEMOMETER
RANGE: 60 FPM TO 6,000 FPM
 - C. DWYER MODEL 400-10 INCLINED MANOMETER
RANGE: 0 TO 1.00" H₂O
 - D. SHORTRIDGE CAPTURE HOODS – BOTH ELECTRONIC AND ANALOG
 - E. EXTECH VANE ANEMOMETER MODEL 407113
RANGE: 0 TO 6890 FPM (78.3 MPH)
2. TEMPERATURE SENSING INSTRUMENTS:
 - A. SHORTRIDGE MODEL ADM-870C ELECTRONIC MICROMANOMETER WITH MODEL MT440K MULTIPOINT TEST KIT ATTACHMENT
RANGE: -112°F TO 302°F WITH 1.0°F RESOLUTION
 - B. TAYLOR MERCURY BULB GLASS IMMERSION THERMOMETERS
RANGE: -30°F TO 120°F WITH 1.0°F RESOLUTION
 - C. BACHARACH MODEL 12-7011 SLING PSYCHROMETER
RANGE: 20°F TO 120°F
 - D. EXTECH IR THERMOMETER MODEL RPM10
RANGE: -4°F TO 600°F
 - E. COOPER SRH77A TEMPERATURE/HUMIDITY DIGITAL INSTRUMENT
RANGE: -40°F TO 300°F / HUMIDITY RANGE: 10-95% RH (30 - 130°F)
3. WATER PRESSURE READING INSTRUMENTS:
 - A. MERIAM BELLOWS TYPE PRESSURE DIFFERENTIAL GAUGES
RANGES: 0 TO 100 FT. H₂O; 0 TO 300 IN. H₂O; 0 TO 500 IN. H₂O
 - B. MERIAM MODEL 10AA25 WM U-TYPE MANOMETERS
RANGE: 0 TO 30" HG
 - C. PRESSURE GAUGES
RANGE: 0 TO 60 PSI; 0 TO 100 PSI; 0 TO 200 PSI; -30" HG TO +60 PSI
 - D. SHORTRIDGE HYDRODATA MULTIMETER HDM-250
RANGE: 0.01-250.0 PSI / 400 PSI MAX
 - E. TIME DELTA-C ULTRASONIC FLOWMETER MODEL FSC-A19
RANGE: 1"-236" DIA. / -40°F TO -392°F / 1-32 M/S VEL.
4. TACHOMETERS:
 - A. SHIMPO MODEL DT-105 HAND HELD DIGITAL TACHOMETER
RANGE: 0 TO 25,000 RPM
 - B. BIDDLE MODEL 359920 HAND HELD TACHOMETER
RANGE: 0 TO 10,000 RPM
5. AMMETER/VOLTMETER:
 - A. AWS MODEL SPR-300
RANGE: 0 TO 600 AMP; 0 TO 600 VOLT
 - B. TIF 1000 LED
 - C. FLUKE MODEL 322 CLAMP METER
RANGE: 0 TO 400 AMP; 0 TO 600 VOLT
 - D. FLUKE MODEL 902 CLAMP METER
RANGE: 0 TO 600 AMP; 0 TO 600 VOLT

ASSOCIATED AIR BALANCE COUNCIL

AIR UNIT TEST SHEET

JOB NAME: _____ DATE _____

SYSTEM _____

SPECIFICATIONS:

FAN: CFM _____ TSP _____ ESP _____ RPM _____ BHP _____ O.A. CFM _____

COOLING MBH _____ GPM _____ WATER ON _____ OFF _____

AIR ON DB/WB _____ OFF DB/WB _____ Δ TH _____

HEATING MBH _____ GPM _____ WATER ON _____ OFF _____

AIR ON DB _____ OFF DB _____

_____ MBH _____ GPM _____ WATER ON _____ OFF _____

AIR ON DB _____ OFF DB _____

ELECTRIC HEAT = _____ AMPS / _____ VOLTS / _____ KW

TEST DATA:

UNIT _____ SIZE _____ SERIAL _____

MOTOR _____ HP _____ RPM _____ VOLTAGE _____ FLA _____

TEST VOLTAGE _____ CORRECTED FLA _____ MISC. _____

STARTER / HEATER SIZE _____ RATING _____ RUNNING AMPS _____

FAN: CFM _____ TSP _____ ESP _____ RPM _____ O.A. CFM _____

COIL:	AIR ON	AIR OFF	Δ		WATER ON	OFF	Δ T	MBH
COOLING				Δ TH				
HEATING				Δ T				
				Δ T				

ELECTRIC HEAT = _____ AMPS / _____ VOLTS / _____ KW

FLOW METER: MODEL/SIZE _____ DESIGN READING _____ TEST READING _____ GPM _____

COOLING _____

HEATING _____

MTR. PULLEY = _____ FAN SUCTION = _____

FAN PULLEY = _____ FAN DISCHARGE = _____

BELTS = _____ TOTAL STATIC = _____

TECH TEST INC OF LA.
P.O. BOX 65008
BATON ROUGE, LA 70896

ASSOCIATED AIR BALANCE COUNCIL

AIR MOVING EQUIPMENT TEST SHEET

JOB NAME: _____

DATE: _____

	UNIT #		UNIT #		UNIT #		UNIT #	
LOCATION								
MANUFACTURER								
MODEL NO.								
SA SIZE/FPM								
OPERATING COND.	SPECIFIED	ACTUAL	SPECIFIED	ACTUAL	SPECIFIED	ACTUAL	SPECIFIED	ACTUAL
TOTAL C.F.M.								
RETURN AIR C.F.M.								
O.S.A. C.F.M.								
EXT. STATIC PRESS.								
SUCTION PRESSURE								
DISCHARGE PRESS.								
FAN SHEAVE								
MOTOR SHEAVE								
BELTS								
MOTOR MANUF.								
SIZE HP								
VOLTAGE								
PHASE								
RPM MOTOR								
AMPERAGE	RATED	RUNNING	RATED	RUNNING	RATED	RUNNING	RATED	RUNNING
RPM FAN								
COOL MBH								
HEAT MBH								

TECH TEST INC OF LA.
P.O. BOX 65008
BATON ROUGE, LA 70896

ASSOCIATED AIR BALANCE COUNCIL

FAN TEST SHEET

JOB NAME: _____

DATE: _____

	FAN #	FAN #	FAN #	FAN #
SPECIFIED				
Total CFM				
Fan RPM				
Total S.P.				
Motor H.P.				

TEST

Manufacturer				
Model #				
Serial #				
Size				
Motor Mfg.				
Motor HP				
Motor RPM				
Motor Volts				
Motor F.L.A.				

Run Amps.				
Heaters Size/Rtg.				
Line Voltage				
Total CFM				
Fan RPM				
Total S.P.				

Notes _____

ASSOCIATED AIR BALANCE COUNCIL

ERV TEST SHEET

JOB NAME: _____

DATE: _____

	OSA FAN	WHEEL	EXH. FAN	WHEEL
SPECIFIED				
Total CFM				
Fan RPM				
Total S.P.				
Motor H.P.				

TEST

Manufacturer				
Model #				
Serial #				
Size				
Motor Mfg.		DES. TEMPS.		DES. TEMPS.
Motor HP		EDB =		EDB =
Motor RPM		EWB =		EWB =
Motor Volts		LDB =		LDB =
Motor F.L.A.		LWB =		LWB =

Run Amps.		ACT. TEMPS.		ACT. TEMPS.
Heaters Size/Rtg		EDB =		EDB =
Line Voltage		EWB =		EWB =
Total CFM		LDB =		LDB =
Fan RPM		LWB =		LWB =
Total S.P.				

Notes

TECH TEST INC OF LA.
P.O. BOX 65008
BATON ROUGE, LA 70896

ASSOCIATED AIR BALANCE COUNCIL

PUMP TABULATION TEST SHEET

JOB NAME: _____ DATE: _____

	PUMP #		PUMP #		PUMP #		PUMP #	
<u>SPECIFIED</u>								
GPM								
HEAD								
HP								
<u>TEST</u>								
MANUFACTURER								
MODEL								
SIZE								
SERIAL								
MOTOR MFG.								
HP								
RPM								
VOLTS								
LINE VOLTS								
F.L. AMPS								
TEST AMPS								
HEATER								
IMPELLER SIZE								
	NO FLOW	FINAL	NO FLOW	FINAL	NO FLOW	FINAL	NO FLOW	FINAL
DISCHARGE LBS.								
SUCTION LBS.								
DIFFERENTIAL								
HEAD IN FEET								
GPM								

TECH TEST INC. OF LA.
P.O. BOX 65008
BATON ROUGE, LA 70896

ASSOCIATED AIR BALANCE COUNCIL

AIR COOLED CHILLER DATA

JOB NAME: _____

DATE: _____

UNIT NUMBER		
MANUFACTURER		
CAPACITY		
MODEL NUMBER		
SERIAL NUMBER		
EVAPORATOR	DESIGN	ACTUAL
EWT		
LWT		
P.D. FT.		
GPM		
CONDENSER	DESIGN	ACTUAL
EAT		
LAT		
ELECTRICAL	DESIGN	ACTUAL
VOLTAGE		
AMPERAGE		

UNIT NUMBER		
MANUFACTURER		
CAPACITY		
MODEL NUMBER		
SERIAL NUMBER		
EVAPORATOR	DESIGN	ACTUAL
EWT		
LWT		
P.D. FT.		
GPM		
CONDENSER	DESIGN	ACTUAL
EAT		
LAT		
ELECTRICAL	DESIGN	ACTUAL
VOLTAGE		
AMPERAGE		

REMARKS: _____

REMARKS: _____

ASSOCIATED AIR BALANCE COUNCIL

WATER COOLED CHILLER DATA

JOB NAME: _____

DATE: _____

UNIT NUMBER		
MANUFACTURER		
CAPACITY		
MODEL NUMBER		
SERIAL NUMBER		
EVAPORATOR	DESIGN	ACTUAL
EWT		
LWT		
P.D. FT.		
GPM		
CONDENSER	DESIGN	ACTUAL
EWT		
LWT		
P.D. FT.		
GPM		
ELECTRICAL	DESIGN	ACTUAL
VOLTAGE		
AMPERAGE		

UNIT NUMBER		
MANUFACTURER		
CAPACITY		
MODEL NUMBER		
SERIAL NUMBER		
EVAPORATOR	DESIGN	ACTUAL
EWT		
LWT		
P.D. FT.		
GPM		
CONDENSER	DESIGN	ACTUAL
EWT		
LWT		
P.D. FT.		
GPM		
ELECTRICAL	DESIGN	ACTUAL
VOLTAGE		
AMPERAGE		

REMARKS: _____

REMARKS: _____

ASSOCIATED AIR BALANCE COUNCIL

COOLING TOWER DATA

JOB NAME: _____

DATE: _____

UNIT NUMBER		
MANUFACTURER		
CAPACITY		
MODEL NUMBER		
SERIAL NUMBER		
PERFORMANCE	DESIGN	ACTUAL
AMBIENT AIR DB		
AIR EWB		
AIR LWB		
GPM		
EWT		
LWT		
MOTOR	DESIGN	ACTUAL
MANUFACTURER		
HORSEPOWER		
RPM		
VOLTAGE		
PHASES		
AMPERAGE		
HEATER AMPS		
HEATER VOLTS		
HEATER KW		

UNIT NUMBER		
MANUFACTURER		
CAPACITY		
MODEL NUMBER		
SERIAL NUMBER		
PERFORMANCE	DESIGN	ACTUAL
AMBIENT AIR DB		
AIR EWB		
AIR LWB		
GPM		
EWT		
LWT		
MOTOR	DESIGN	ACTUAL
MANUFACTURER		
HORSEPOWER		
RPM		
VOLTAGE		
PHASES		
AMPERAGE		
HEATER AMPS		
HEATER VOLTS		
HEATER KW		

REMARKS: _____

REMARKS: _____

ASSOCIATED AIR BALANCE COUNCIL

AIR COOLED CONDENSING UNIT DATA

JOB NAME: _____

DATE: _____

UNIT NUMBER		
MANUFACTURER		
CAPACITY		
MODEL NUMBER		
SERIAL NUMBER		
CONDENSER	DESIGN	ACTUAL
EAT		
LAT		
ELECTRICAL	DESIGN	ACTUAL
VOLTAGE		
AMPERAGE		

UNIT NUMBER		
MANUFACTURER		
CAPACITY		
MODEL NUMBER		
SERIAL NUMBER		
CONDENSER	DESIGN	ACTUAL
EAT		
LAT		
ELECTRICAL	DESIGN	ACTUAL
VOLTAGE		
AMPERAGE		

UNIT NUMBER		
MANUFACTURER		
CAPACITY		
MODEL NUMBER		
SERIAL NUMBER		
CONDENSER	DESIGN	ACTUAL
EAT		
LAT		
ELECTRICAL	DESIGN	ACTUAL
VOLTAGE		
AMPERAGE		

UNIT NUMBER		
MANUFACTURER		
CAPACITY		
MODEL NUMBER		
SERIAL NUMBER		
CONDENSER	DESIGN	ACTUAL
EAT		
LAT		
ELECTRICAL	DESIGN	ACTUAL
VOLTAGE		
AMPERAGE		

REMARKS: _____

TECH TEST INC. OF LA.
 P. O. BOX 65008
 BATON ROUGE, LA.

ASSOCIATED AIR BALANCE COUNCIL

HOT WATER BOILER DATA

JOB NAME: _____

DATE: _____

UNIT NUMBER		
MANUFACTURER		
CAPACITY		
MODEL NUMBER		
SERIAL NUMBER		
HOT WATER	DESIGN	ACTUAL
EWT		
LWT		
P.D. FT.		
GPM		
CNTL. SET. PT.		

UNIT NUMBER		
MANUFACTURER		
CAPACITY		
MODEL NUMBER		
SERIAL NUMBER		
HOT WATER	DESIGN	ACTUAL
EWT		
LWT		
P.D. FT.		
GPM		
CNTL. SET. PT.		

UNIT NUMBER		
MANUFACTURER		
CAPACITY		
MODEL NUMBER		
SERIAL NUMBER		
HOT WATER	DESIGN	ACTUAL
EWT		
LWT		
P.D. FT.		
GPM		
CNTL. SET. PT.		

UNIT NUMBER		
MANUFACTURER		
CAPACITY		
MODEL NUMBER		
SERIAL NUMBER		
HOT WATER	DESIGN	ACTUAL
EWT		
LWT		
P.D. FT.		
GPM		
CNTL. SET. PT.		

REMARKS: _____

TECH TEST INC. OF LA.
 P. O. BOX 65008
 BATON ROUGE, LA.

ASSOCIATED AIR BALANCE COUNCIL

STEAM BOILER DATA

JOB NAME: _____

DATE: _____

UNIT NUMBER		
MANUFACTURER		
CAPACITY		
MODEL NUMBER		
SERIAL NUMBER		
	DESIGN	ACTUAL
STEAM SET PT		
FIRING RATE		

UNIT NUMBER		
MANUFACTURER		
CAPACITY		
MODEL NUMBER		
SERIAL NUMBER		
	DESIGN	ACTUAL
STEAM SET PT		
FIRING RATE		

UNIT NUMBER		
MANUFACTURER		
CAPACITY		
MODEL NUMBER		
SERIAL NUMBER		
	DESIGN	ACTUAL
STEAM SET PT		
FIRING RATE		

UNIT NUMBER		
MANUFACTURER		
CAPACITY		
MODEL NUMBER		
SERIAL NUMBER		
	DESIGN	ACTUAL
STEAM SET PT		
FIRING RATE		

REMARKS: _____

TECH TEST INC. OF LA.
 P. O. BOX 65008
 BATON ROUGE, LA.



TECH TEST, INC. OF LOUISIANA

P.O. Box 65008 • Baton Rouge, Louisiana 70896

Telephone (225) 752-1664
Air Balancing • Hydronic Testing • Energy Conservation

William J. Holstein
Glenn Holstein

DUCT PRESSURE TEST CERTIFICATION

JOB NAME

DATE TESTED

DUCT SYSTEM ID

DESIGN CFM

OPERATING PRESSURE

TEST REQUIREMENTS

TEST RESULTS

CFM LEAKAGE

COMMENTS

DUCT SEALING PRACTICES APPEAR TO BE
WITHIN REQUIRED SPECIFICATIONS

APPROVED BY

ASSOCIATED AIR BALANCE COUNCIL

CHILL WATER COIL AIR DATA TEST SHEET

JOB NAME: _____ DATE: _____

UNIT NO.	CFM	EDB/EWB	LDB/LWB	ΔTH	MBH	NOTES	
							DESIGN
							ACTUAL
							DESIGN
							ACTUAL
							DESIGN
							ACTUAL
							DESIGN
							ACTUAL
							DESIGN
							ACTUAL
							DESIGN
							ACTUAL
							DESIGN
							ACTUAL
							DESIGN
							ACTUAL

ASSOCIATED AIR BALANCE COUNCIL

CHILL WATER COIL WATER DATA TEST SHEET

JOB NAME: _____ DATE: _____

UNIT NO.	MBH	EWT	LWT	ΔTW	WPD	GPM	
							DESIGN
							ACTUAL
							DESIGN
							ACTUAL
							DESIGN
							ACTUAL
							DESIGN
							ACTUAL
							DESIGN
							ACTUAL
							DESIGN
							ACTUAL
							DESIGN
							ACTUAL
							DESIGN
							ACTUAL
							DESIGN
							ACTUAL

ASSOCIATED AIR BALANCE COUNCIL

HOT WATER COIL AIR DATA TEST SHEET

JOB NAME: _____ DATE: _____

UNIT NO.	CFM	EAT	LAT	ΔTA	MBH	NOTES	
							DESIGN
							ACTUAL
							DESIGN
							ACTUAL
							DESIGN
							ACTUAL
							DESIGN
							ACTUAL
							DESIGN
							ACTUAL
							DESIGN
							ACTUAL
							DESIGN
							ACTUAL
							DESIGN
							ACTUAL

ASSOCIATED AIR BALANCE COUNCIL

HOT WATER COIL WATER DATA TEST SHEET

JOB NAME: _____ DATE: _____

UNIT NO.	MBH	EWT	LWT	ΔTW	WPD	GPM	
							DESIGN
							ACTUAL
							DESIGN
							ACTUAL
							DESIGN
							ACTUAL
							DESIGN
							ACTUAL
							DESIGN
							ACTUAL
							DESIGN
							ACTUAL
							DESIGN
							ACTUAL
							DESIGN
							ACTUAL

ASSOCIATED AIR BALANCE COUNCIL

BLOWER DOOR TEST

DATE: _____

JOB NAME:	
CITY/STATE:	

BLOWER DOOR MODEL	FAN MODEL	NUMBER OF FANS	RING

LOCATION					
REFERENCE					
TEST NUMBER					
RELATIONSHIP					
DESIGN Δp	0.20"	INCHES H ₂ O	50	PASCALS	1 Pa (N/m ²) = 0.0040186 Inch of
FINAL CFM					
FINAL Δp INCHES H ₂ O / PASCALS	0.20"	INCHES H ₂ O	50	PASCALS	1 Pa (N/m ²) = 0.0040186 Inch of

TESTED BY: THOMAS THOMPSON

NOTES:



TECH TEST, INC. OF LOUISIANA

P.O. Box 65008 • Baton Rouge, Louisiana 70896

Telephone (225) 752-1664
Air Balancing • Hydronic Testing • Energy Conservation

William J. Holstein
Glenn Holstein

JOB NAME: _____

DATE: _____

SYSTEM _____

FUME HOOD TEST SHEET

LAB NO. _____ HOOD NO. _____ HOOD SIZE _____ AVERAGE FACE VELOCITY _____

CFM = _____

OPERATIONAL HEIGHT

LAB NO. _____ HOOD NO. _____ HOOD SIZE _____ AVERAGE FACE VELOCITY _____

CFM = _____

FULL HEIGHT

TECH TEST INC. OF LA.
P. O. BOX 65008
BATON ROUGE, LA. 70896

MEMBER OF ASSOCIATED AIR BALANCE COUNCIL

