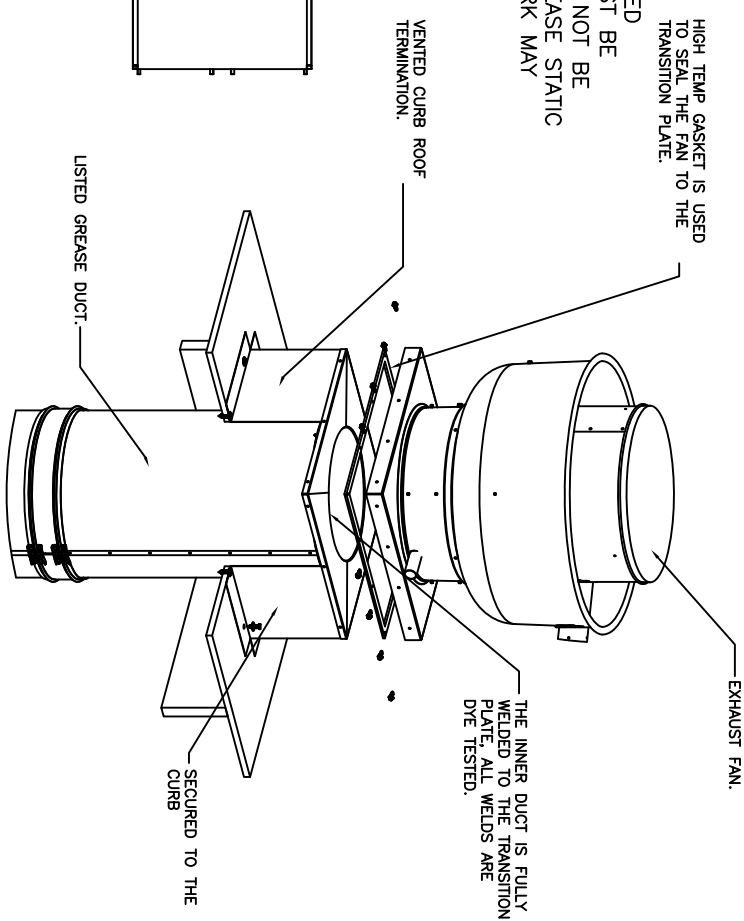
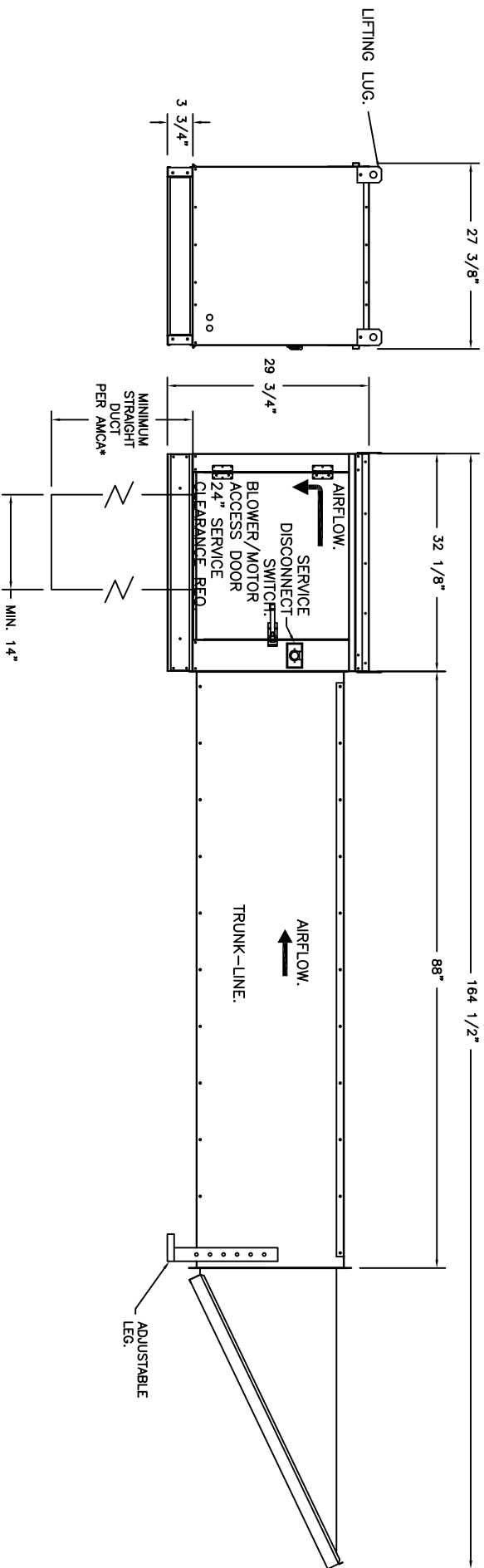
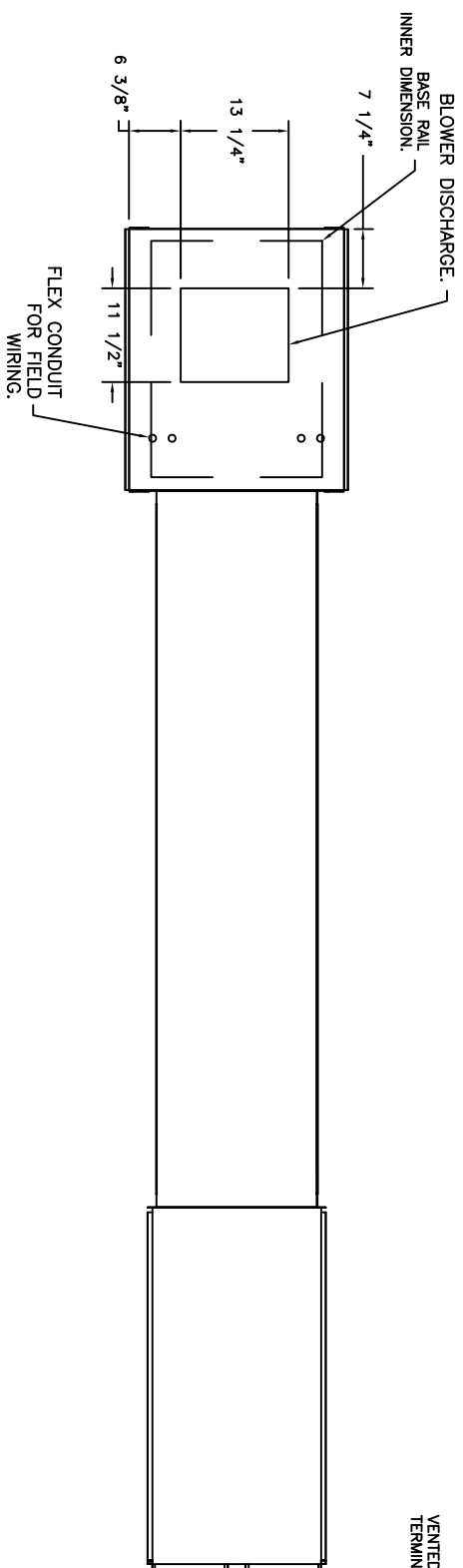


- FANS #2 (KSF-1), #3 (KSF-2) - EA-A1-G10 SUPPLY FAN
1. UNTEMPERED SUPPLY UNIT WITH 10" BLOWER IN SIZE #1 HOUSING.
  2. TRUNKLINE W/INTAKE HOOD W/EZ FILTERS.
  3. DOWN DISCHARGE - AIR FLOW RIGHT -> LEFT.
  4. 2 YEAR PARTS WARRANTY.

\*NOTE: SUPPLY DUCT MUST BE INSTALLED TO MEET SMACNA STANDARDS. A MINIMUM STRAIGHT DUCT LENGTH MUST BE MAINTAINED DOWNSTREAM OF UNIT DISCHARGE AS OUTLINED IN AMCA PUBLICATION 201. WHEN USING RECTANGULAR DUCTWORK, ELBOWS MUST BE RADIUS THROAT, RADIUS BACK WITH TURNING VANES. FLEXIBLE DUCTWORK AND SQUARE THROAT/SQUARE BACK ELBOWS SHOULD NOT BE USED. ANY TRANSITION AND/OR TURNS IN THE DUCTWORK WILL CAUSE SYSTEM EFFECT. SYSTEM EFFECT WILL DRASTICALLY INCREASE STATIC PRESSURE AND REDUCE AIRFLOW. DO NOT RELY ON UNIT TO SUPPORT DUCT IN ANY WAY. FAILURE TO PROPERLY SIZE DUCTWORK MAY CAUSE SYSTEM EFFECTS AND REDUCE PERFORMANCE OF THE EQUIPMENT. SUGGESTED STRAIGHT DUCT SIZE IS 14" x 14".



GREASE DUCT & CHIMNEY SPECIFICATIONS:  
 PROVIDE GREASE DUCT EQUAL TO ECON-AIR MODEL "EDW" ROUND 20 GAUGE 430 STAINLESS STEEL DUCTWORK. MODEL "EDW" IS LISTED TO UL-1978 AND IS INSTALLED USING "V" CLAMP LOCKING CONNECTIONS SEALED WITH 3M FIRE BARRIER 2000 PLUS. MODEL "EDW" DOES NOT REQUIRE WELDING PROVIDING IT HAS BEEN INSTALLED PER THE MANUFACTURERS INSTALLATION GUIDE.  
 PROVIDE RATED ACCESS DOORS AT EVERY CHANGE IN DIRECTION AND EVERY 12' ON CENTER. PER MANUFACTURERS LISTING MODEL "EDW" HORIZONTAL RUNS LESS THAN 75 FT. CAN BE SLOPED 1/16" PER 12", HORIZONTAL RUNS MORE THAN 75 FT. CAN BE SLOPED 3/16" PER 12". DUCT SHOULD BE SLOPED AS MUCH AS POSSIBLE TO REDUCE THE CHANCE OF GREASE ACCUMULATION IN HORIZONTAL RUNS.  
 IF THE DUCT OR CHIMNEY IS WITHIN 18 INCHES OF COMBUSTIBLE MATERIAL, PROVIDE UL-2221 OR UL-103 HT LISTED DOUBLE WALL GREASE DUCT OR DOUBLE WALL CHIMNEY EQUAL TO ECON-AIR MODEL "EDW- 2R, 2R TYPE HT, 3R, OR 3Z" ROUND 20 GAUGE 430 STAINLESS INNER DUCT INSULATED WITH A 24 GAUGE 430 STAINLESS OUTER SHELL.

NEW EXHAUST FAN

# HONEY ISLAND ELEMENTARY

500 S MILITARY ROAD  
 SLIDELL, LA 70461

JOB #: 2452

DATE: 11-17-2021

DRAWN BY: CKD

CHECKED BY: BAM



# DAMMON

ENGINEERING, INC.

554 Old Spanish Trail Slidell, LA 70458 (985) 649-5832

CHIEF ENGINEER: BRIAN A. MISTICH, P.E.  
 554 OLD SPANISH TRAIL  
 SLIDELL, LA 70458

dammonengineering.com  
 info@dammonengineering.com  
 PHONE: 985-649-5832

# M102