

LIFE-SAFETY INFORMATION

APPLICABLE CODES	
NFPA 101 LIFE-SAFETY CODE 2015	
OCCUPANCY TYPE(S) AND CHAPTER(S)	
ASSEMBLY (CHAPTER 12)	
OCCUPANT LOAD FACTOR	(REFERENCE TABLE 7.3.1.2)
BUSINESS (concentrated use, without fixed seating)	10 OCCUPANTS
CLASSIFICATION OF HAZARD OF CONTENTS	
(REFERENCE: OCCUPANCY CHAPTER AND 6.2.2; SPECIFY LOW, ORDINARY, OR HIGH)	
CONST. TYPE= B(200) (REFERENCE: CHAPTERS, TABLE A.9.2.1.2 AND COMMENTARY TABLE 8.1 IN HANDBOOK)	
MINIMUM EXIT SEPARATION DISTANCE FOR REMOTELY LOCATED EXITS	
(REFERENCE: SECTION 7.5; SPECIFY 1/2 OR 1/3 DIAGONAL DISTANCE OF AREA SERVED)	
1/3 DIAGONAL =	101 FT / 3 = 33.6 FT
MAXIMUM DEAD-END CORRIDORS (REFERENCE: OCCUPANCY CHAPTER AND TABLE A.7.6)	
20 FEET	
MAXIMUM COMMON PATH OF TRAVEL DISTANCE (REFERENCE: OCCUPANCY CHAPTER AND TABLE A.7.6)	
20 FEET	
MAXIMUM TRAVEL DISTANCE TO EXITS (REFERENCE: OCCUPANCY CHAPTER AND TABLE A.7.6)	
250 FEET	
*MAIN ENTRANCE MUST BE SIGNED TO ACCOMMODATE 1/2 OCCUPANT LOAD OF BUILDING	
EXTINGUISHMENT REQUIREMENTS NOT SPRINKLERED	
DETECTION, ALARM, AND COMMUNICATION SYSTEMS NO FIRE ALARM SYSTEM	
ALLOWABLE HEIGHT AND BUILDING AREA PER IBC EQUIVALENT CONSTRUCTION TYPE	

BUILDING CODE INFORMATION

APPLICABLE CODES	
IBC 2015	
BUSINESS GROUP	(IBC 2015 CHAPTER 10)
OCCUPANT LOAD CALCULATIONS	(TABLE 1004.1.2)
BUSINESS GROUP B	
TOTAL OCCUPANTS	10 OCCUPANTS
CONSTRUCTION TYPE(S) V B (SECTION 602)	
ALLOWABLE HEIGHT AND BUILDING AREA LIMITED BY TYPE OF CONSTRUCTION	
MAXIMUM HEIGHT IN STORIES (SECTION 503 & 504, TABLE 504.4)	15
MAXIMUM AREA IN SQUARE FEET (SECTION 503, 506 & 507, TABLE 506.2)	6000
ACTUAL BUILDING FIRE AREA IN SQUARE FEET	24000

WIND SPEED DESIGN REQUIREMENTS

IMPROVEMENTS TO THIS BUILDING SHALL BE DESIGNED WITH IBC SEC 1609 AS A FULLY ENCLOSED BLDG USING THE FOLLOWING INFORMATION:

WIND DESIGN DATA: DETERMINATION OF WIND LOADS SHALL BE IN ACCORDANCE WITH IBC SEC 1609.3 (A), (B), OR (C) DEPENDING ON THE RISK CATEGORY

ULTIMATE WIND SPEED =	142 MPH (IBC FIG 1609C)	NOMINAL WIND SPEED =	V _{86d} = 110 MPH
RISK FACTOR =	CATEGORY II	SURFACE ROUGHNESS =	B
TOPOGRAPHIC FACTOR =	1	EXPOSURE =	B
INTERNAL PRESSURE COEFFICIENT (ASCE 7-10 TABLE 26.11-1):		± 0.10	

LIVE LOADS (IBC SEC 1607)

ASSEMBLY MOVEABLE SEATING (IBC TABLE 1607.1):	100 PSF
PLATFORMS (ASSEMBLY) (IBC TABLE 1607.1):	100 PSF
LOBBIES (IBC TABLE 1607.1):	100 PSF
CLASSROOMS (IBC TABLE 1607.1):	40 PSF UNIFORM, 1,000 LB CONCENTRATED
ROOF LIVE LOADS (IBC TABLE 1607.1):	20 PSF UNIFORM, 300 LB CONCENTRATED
SNOW LOADS (IBC TABLE 1608):	
GROUND SNOW LOAD (IBC FIG 1608.2):	5 PSF

FLOOD ZONE INFORMATION

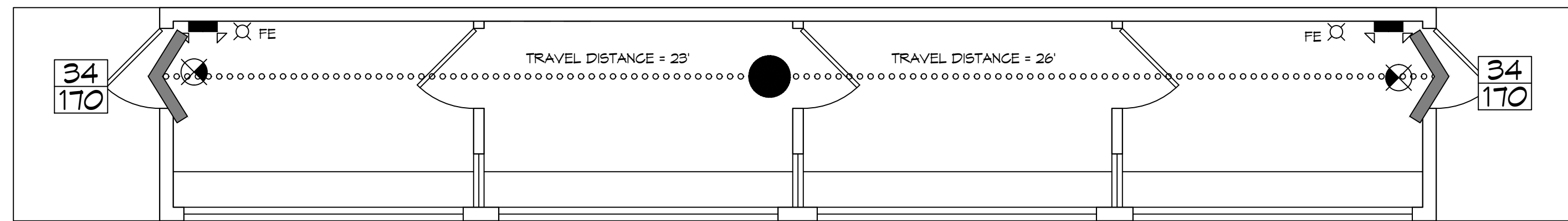
BASED ON THE LSU FLOOD MAP PROPERTY IS IN ZONE AE, EL. 11' BASE FLOOD.

FLOOD ZONE:	AE	BASE FLOOD ELEVATION	11.0'
FIRM, COMMUNITY NUMBER 2203C0695F	DATE: 04/30/2008		

LIFE-SAFETY LEGEND

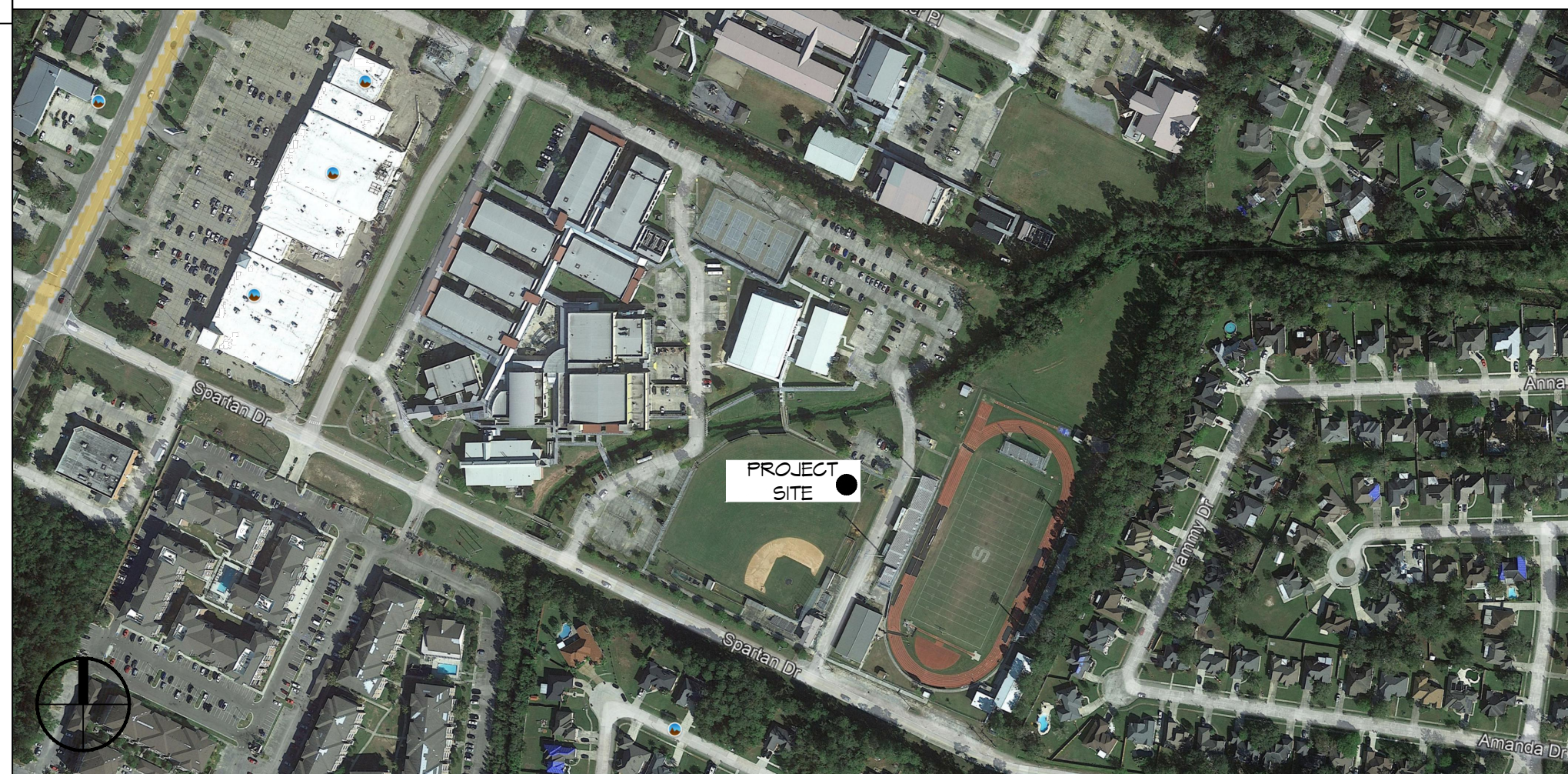
SYMBOL	DESCRIPTION
>	EXITS
(45)	DOOR FIRE RATINGS (MINUTES)
34 170	DOOR WIDTH/EGRESS CAPACITY
⊗	EXIT LIGHT
• FE	FIRE EXTINGUISHER W/ WALL MTD BRACKET
-----	COMMON PATH OF TRAVEL
.....	TRAVEL DISTANCE
●	DECISION POINT

SALMEN HIGH SCHOOL PRESS BOX REPLACEMENT STPSB PROJECT NO. P0319



LIFE-SAFETY PLAN
SCALE: 1/4" = 1'-0"

VICINITY MAP



SHEET INDEX

SHEET #	SHEET TITLE
G101	GENERAL INFORMATION SHEET
C101	PARTIAL SITE PLAN
D101	DEMOLITION PLAN
S101	FOUNDATION PLAN & DETAILS
A101	FLOOR PLAN, EXTERIOR ELEVATIONS, BLDG SECTION
A102	PRESS BOX LAYOUT AND ELEVATIONS
E101	POWER AND LIGHTING PLAN

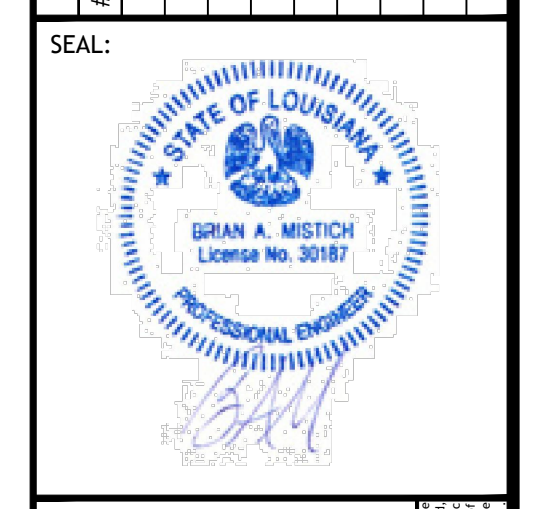
GENERAL NOTES

- ALL MATERIALS AND WORK, INCIDENTAL TO THE CONSTRUCTION OF THIS PROJECT, SHALL CONFORM TO ALL GOVERNING CODES, AND REGULATIONS OF AGENCIES IN AUTHORITY.
- CONTRACTOR SHALL PROVIDE ALL PUBLIC PROTECTIONS NECESSARY AS REQUIRED BY LAW.
- THE DRAWINGS AND ANY SUBSEQUENTLY ISSUED ADDENDA, AMENDMENTS OR SUCH CHANGE ORDERS APPROVED BY THE OWNER AND THE CONTRACTOR ARE PART OF THESE CONTRACT DOCUMENTS.
- DO NOT SCALE DRAWINGS. CONSULT WITH THE ENGINEER REGARDING ANY ITEMS IN THE CONTRACT DOCUMENTS THAT REQUIRE CLARIFICATION.
- TRASH SHALL BE REMOVED FROM THE SITE NOT LESS THAN TWICE MONTHLY.
- THE GENERAL CONTRACTOR SHALL VERIFY EXISTING CONDITIONS PRIOR TO COMMENCING WORK AND REPORT ANY AND ALL DISCREPANCIES TO THE ARCHITECT.
- CONTRACTOR VEHICLES AND EQUIPMENT NECESSARY FOR CONSTRUCTION MAY BE PARKED ON THE SITE. OTHER VEHICLES PARKED ON THE SITE REQUIRE THE OWNER'S PERMISSION.
- ALL MATERIALS/EQUIPMENT SHALL BE INSTALLED PER MANUFACTURER'S RECOMMENDATIONS. WORK NOT CONSISTENT WITH MANUFACTURER'S RECOMMENDATIONS WILL BE REJECTED BY OWNER/ARCHITECT.

DAMMON ENGINEERING, INC.
LOUISIANA & MISSISSIPPI

Chief Engineer: Brian Misch, PE
554 Old Spanish Trail
Slidell, LA 70458
www.dammonengineering.com
info@dammonengineering.com
PH: 985.649.5832

#	DESCRIPTION	DATE



NEW PRESS BOX ZONE

DATE: 06-20-2022
JOB NO: 2458
DRAWN BY: JMS
CHECKED BY: CKD

SHEET TITLE:
GENERAL INFORMATION SHEET

DRAWING NUMBER:
G101

SHEET No: 1 of 7