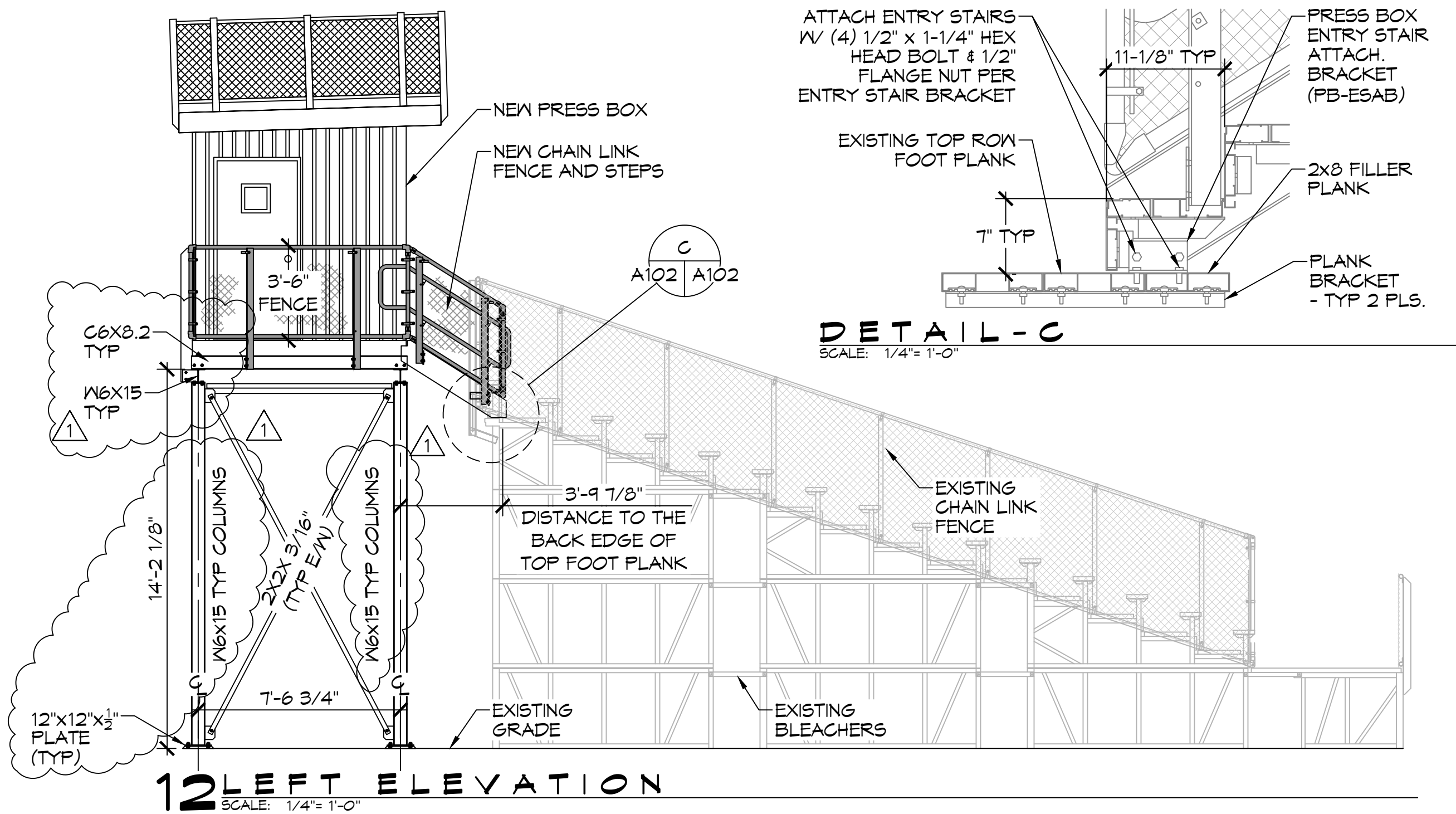
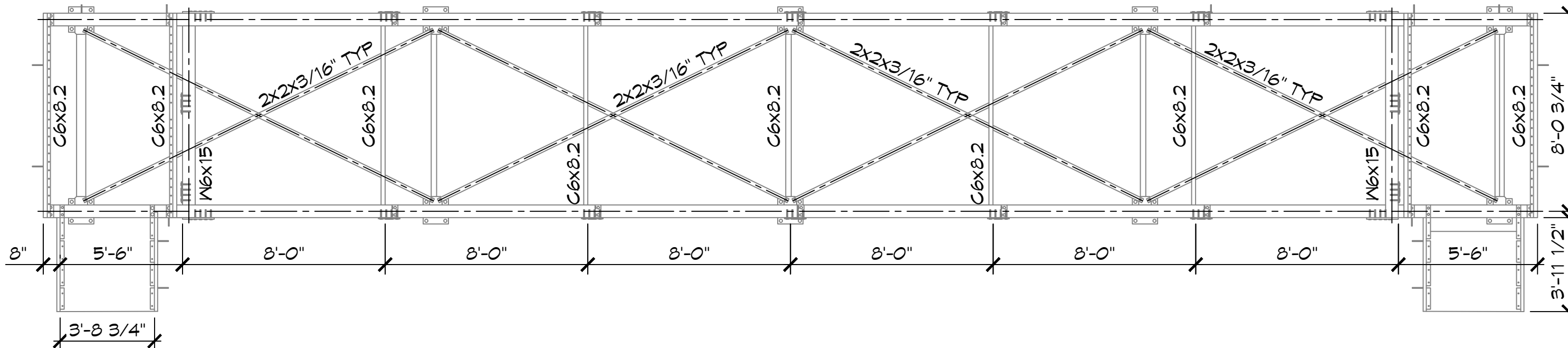


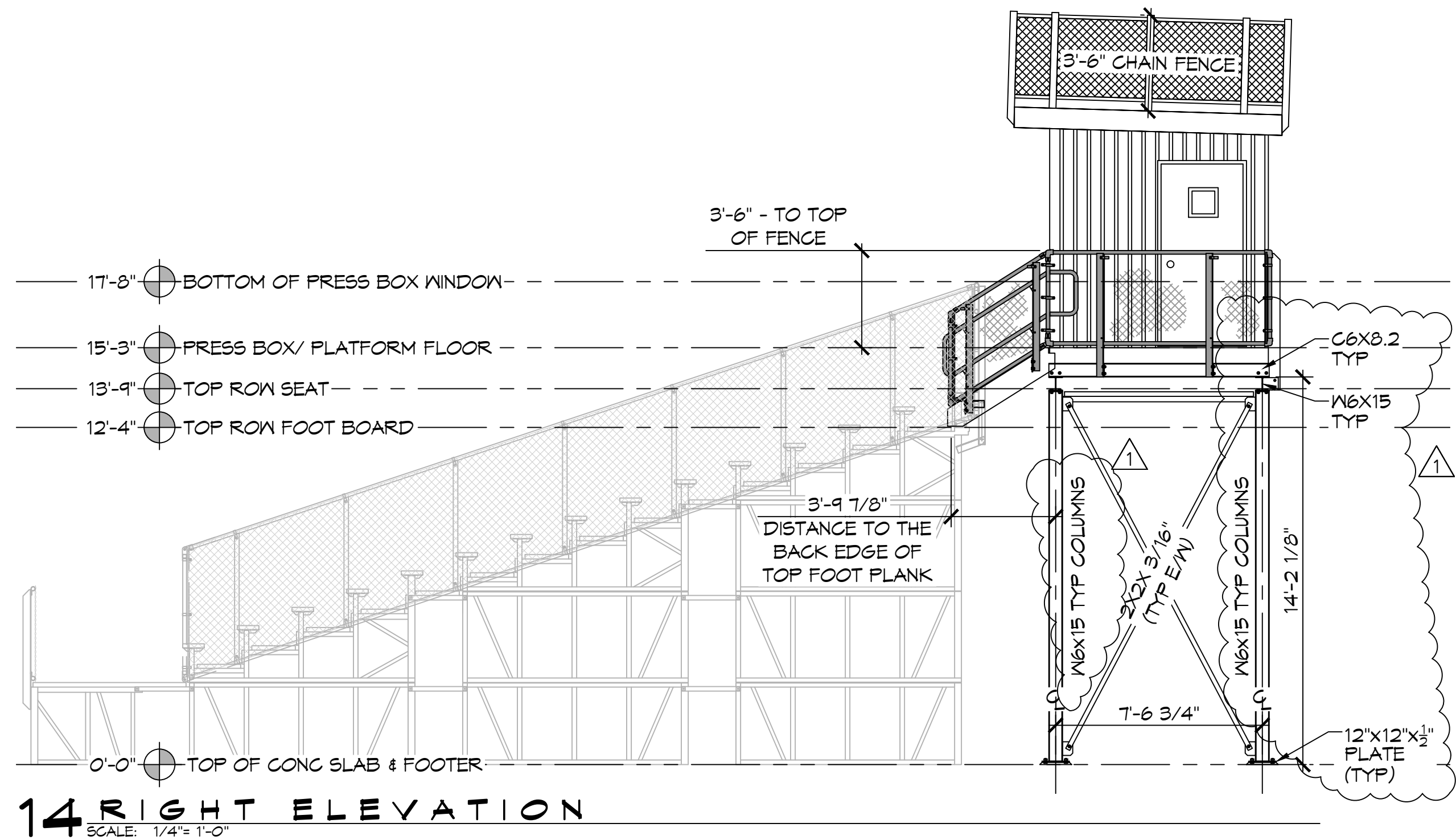
13 PRESS BOX PLAN VIEW
SCALE: 1/16" = 1'-0"



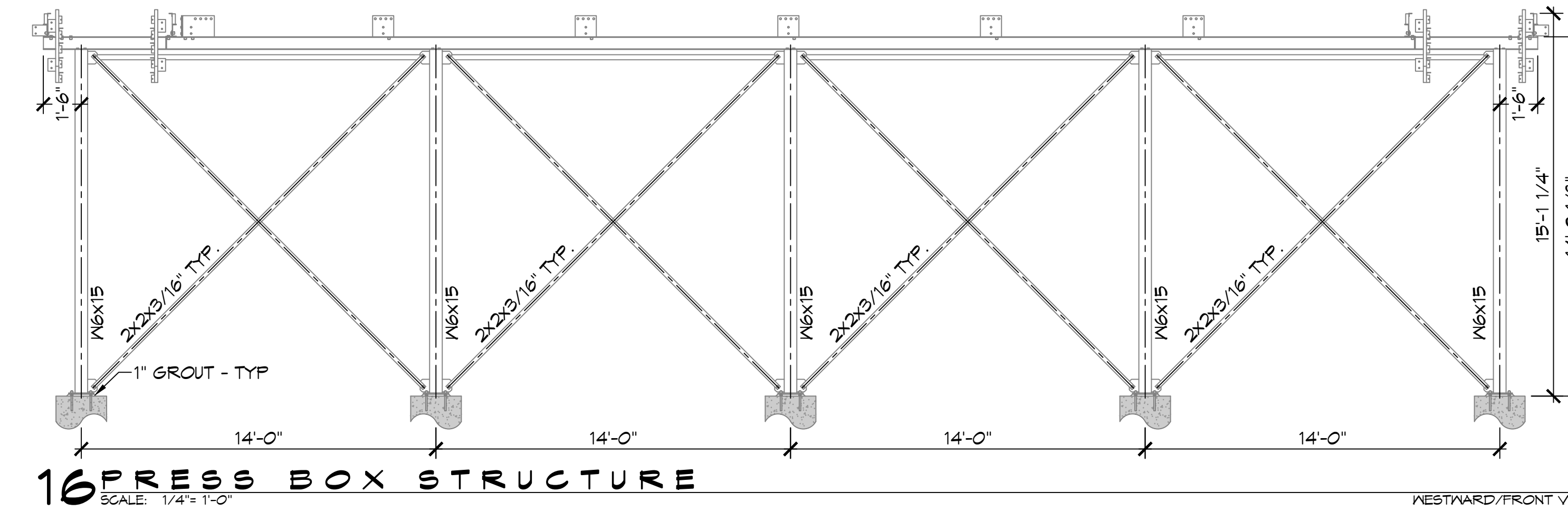
12 LEFT ELEVATION
SCALE: 1/4" = 1'-0"



15 PRESS BOX STRUCTURE
SCALE: 1/4" = 1'-0"



14 RIGHT ELEVATION
SCALE: 1/4" = 1'-0"



16 PRESS BOX STRUCTURE
SCALE: 1/4" = 1'-0"

DAMMON
ENGINEERING, INC.
LOUISIANA & MISSISSIPPI
www.dammonengineering.com
info@dammonengineering.com
Chief Engineer: Brian Misch, PE
554 Old Spanish Trail
Stellat, LA 70458
PH: 985.649.8832

REVISIONS	DATE
1 ADDED CHANNEL SIZES	08-10-22



NEW PRESS BOX
SCHOOL HIGH
300 SPARTAN DRIVE
SULPHELL, LA 70458
JOB No: 2455 DATE: 07-14-2022
DRAWN BY: TNT CHECKED BY: BAM

SHEET TITLE:
PRESS BOX
LAYOUT &
ELEVATIONS
DRAWING NUMBER:
A102
SHEET No: 6 of 7