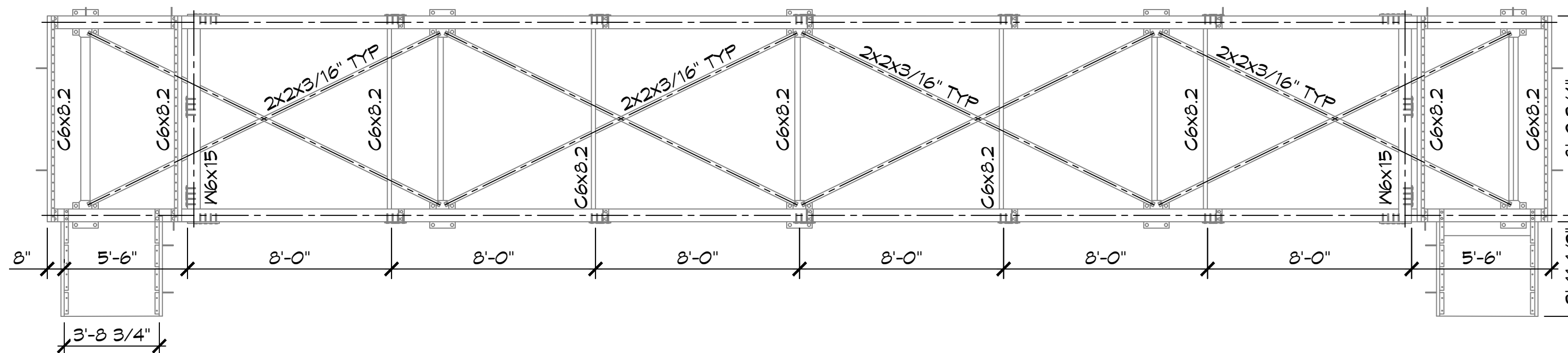
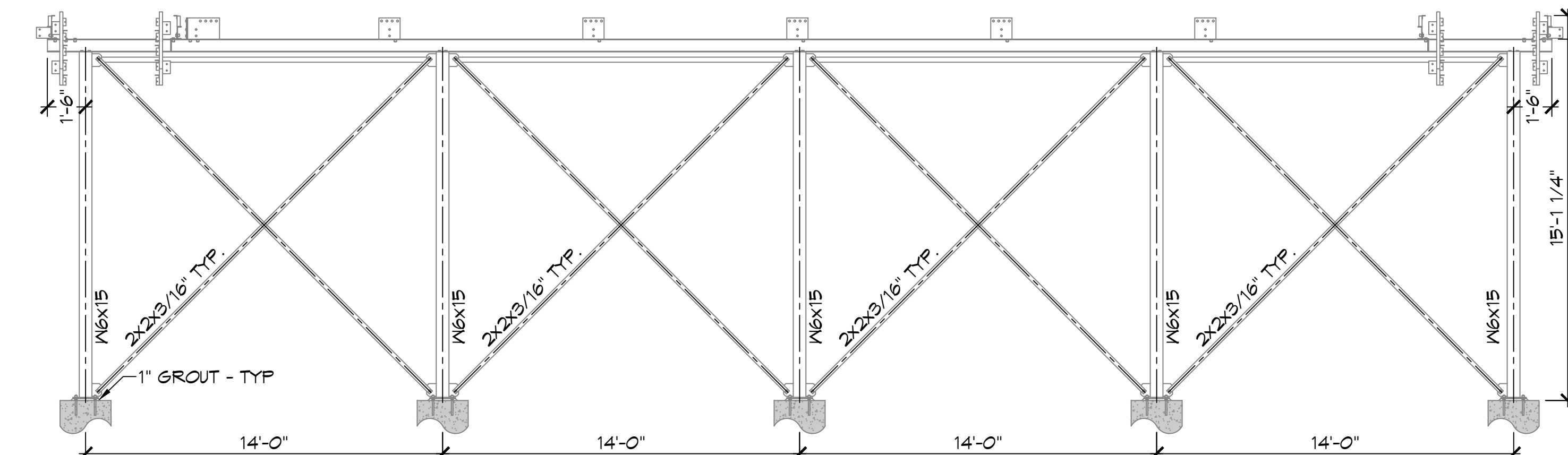


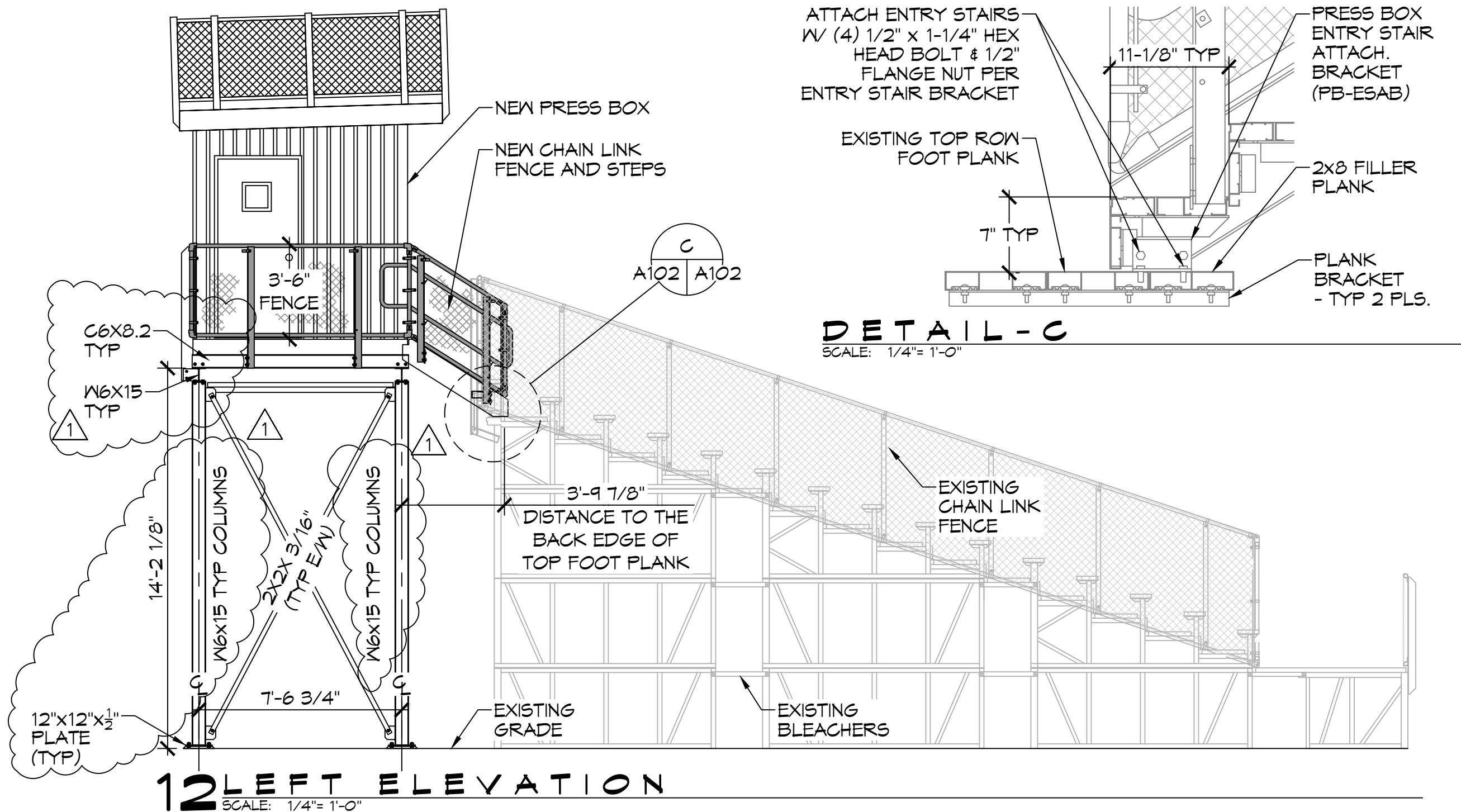
13 PRESS BOX PLAN VIEW
SCALE: 1/16" = 1'-0"



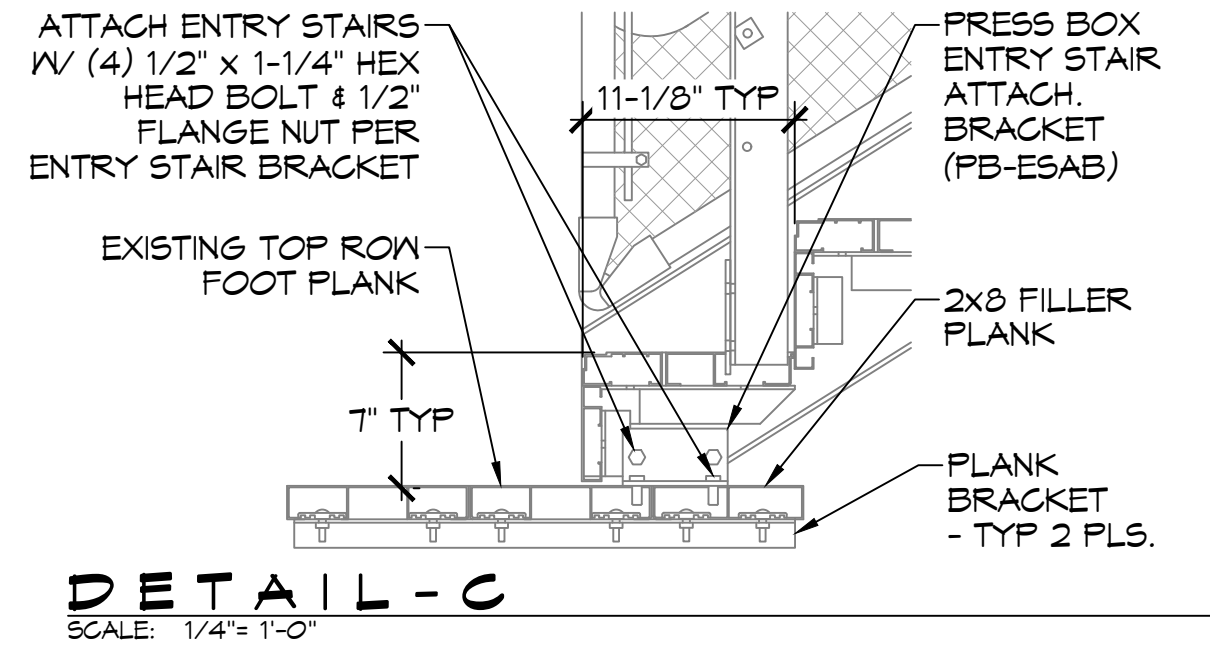
15 PRESS BOX STRUCTURE
SCALE: 1/4" = 1'-0"



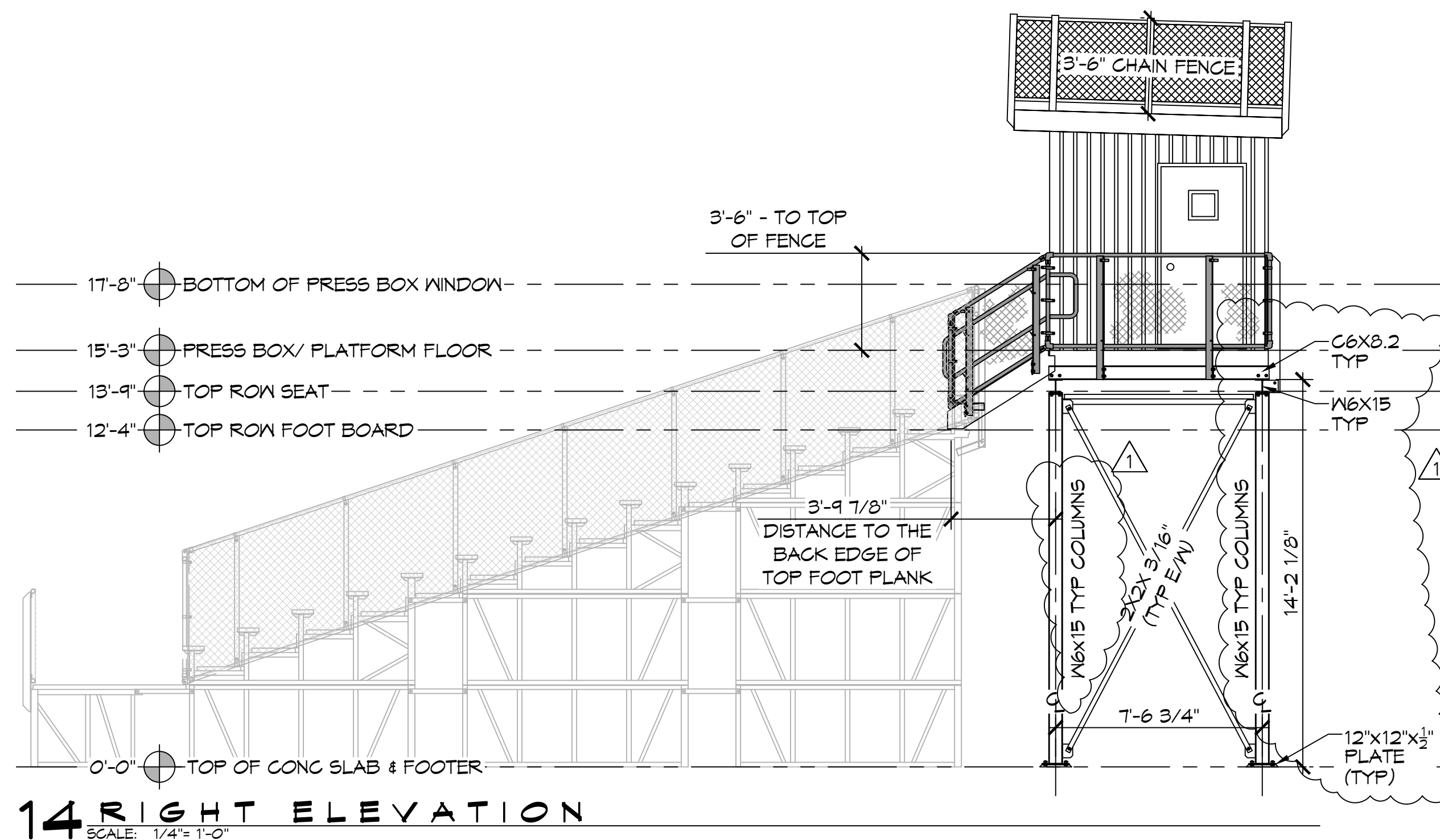
16 PRESS BOX STRUCTURE
SCALE: 1/4" = 1'-0"



12 LEFT ELEVATION
SCALE: 1/4" = 1'-0"



DETAIL-C
SCALE: 1/4" = 1'-0"



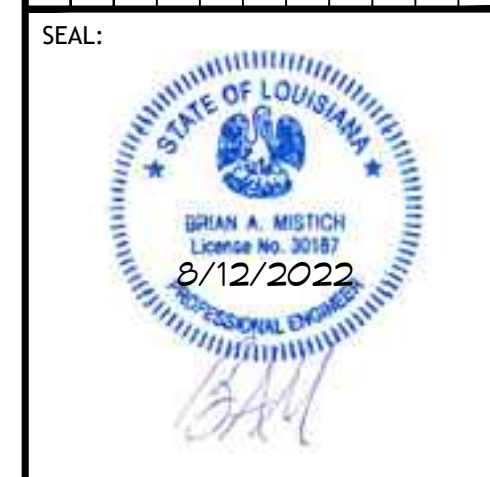
14 RIGHT ELEVATION
SCALE: 1/4" = 1'-0"

DAMMON
ENGINEERING, INC.

LOUISIANA & MISSISSIPPI

Chief Engineer: Brian Misch, PE
554 Old Spanish Trail
Stielit, LA 70458
PH: 985.649.8832

#	DESCRIPTION	DATE
1	ADDED CHANNEL SIZES	08-10-22



NEW PRESS BOX
SCHOOL
SACMOL
HIGH

300 SPARTAN DRIVE
SULPHELL, LA 70458

JOB No: 2455 DATE: 07-14-2022
DRAWN BY: TNT CHECKED BY: BAM

SHEET TITLE:
PRESS BOX
LAYOUT &
ELEVATIONS

DRAWING NUMBER:

A102