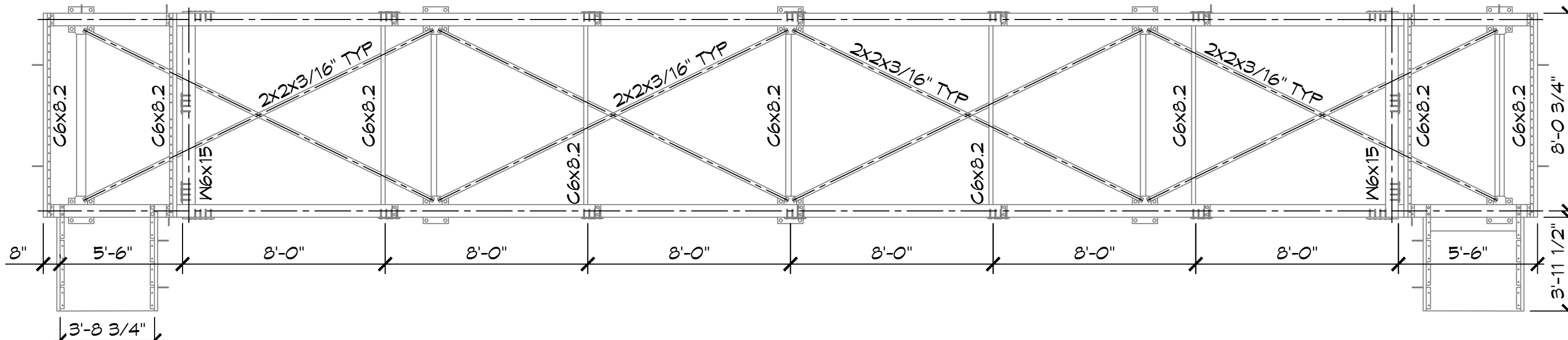
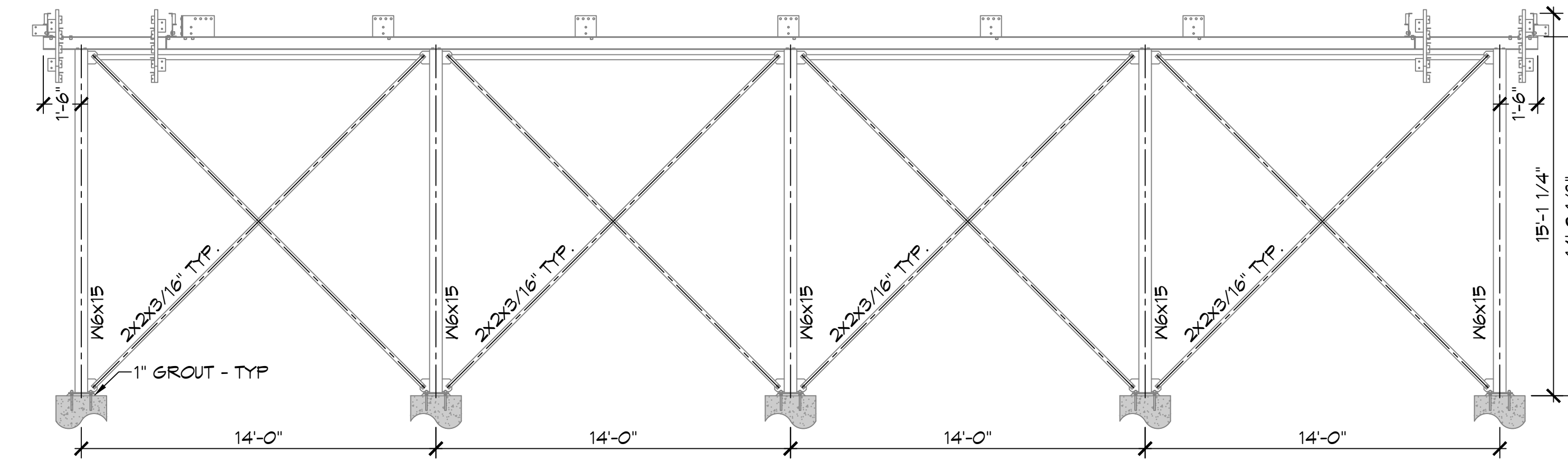


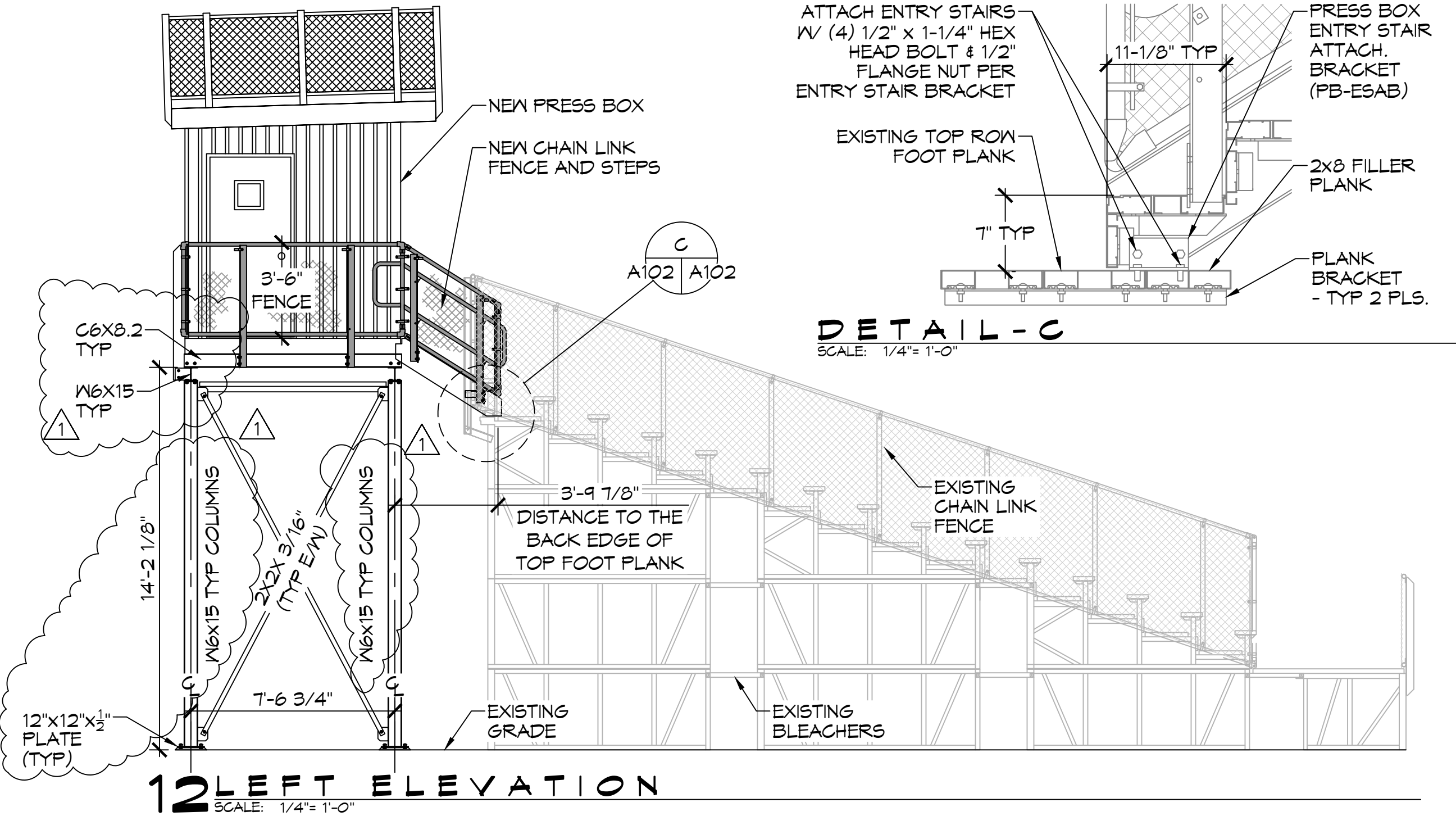
13 PRESS BOX PLAN VIEW
SCALE: 1/16" = 1'-0"



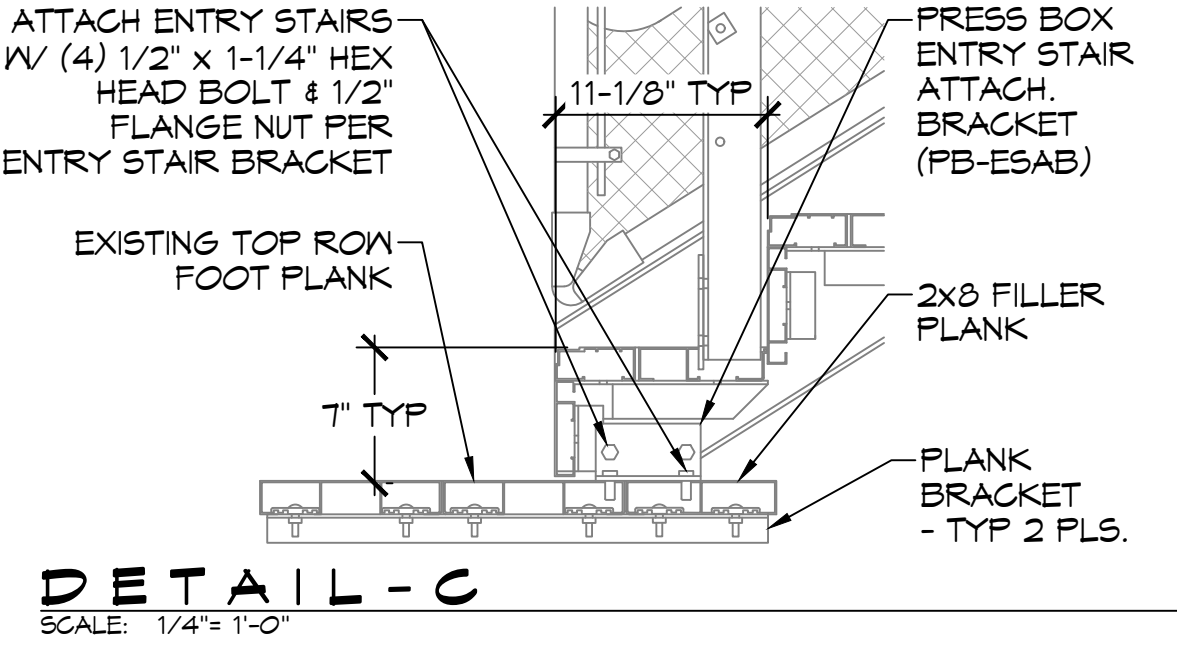
15 PRESS BOX STRUCTURE
SCALE: 1/4" = 1'-0"



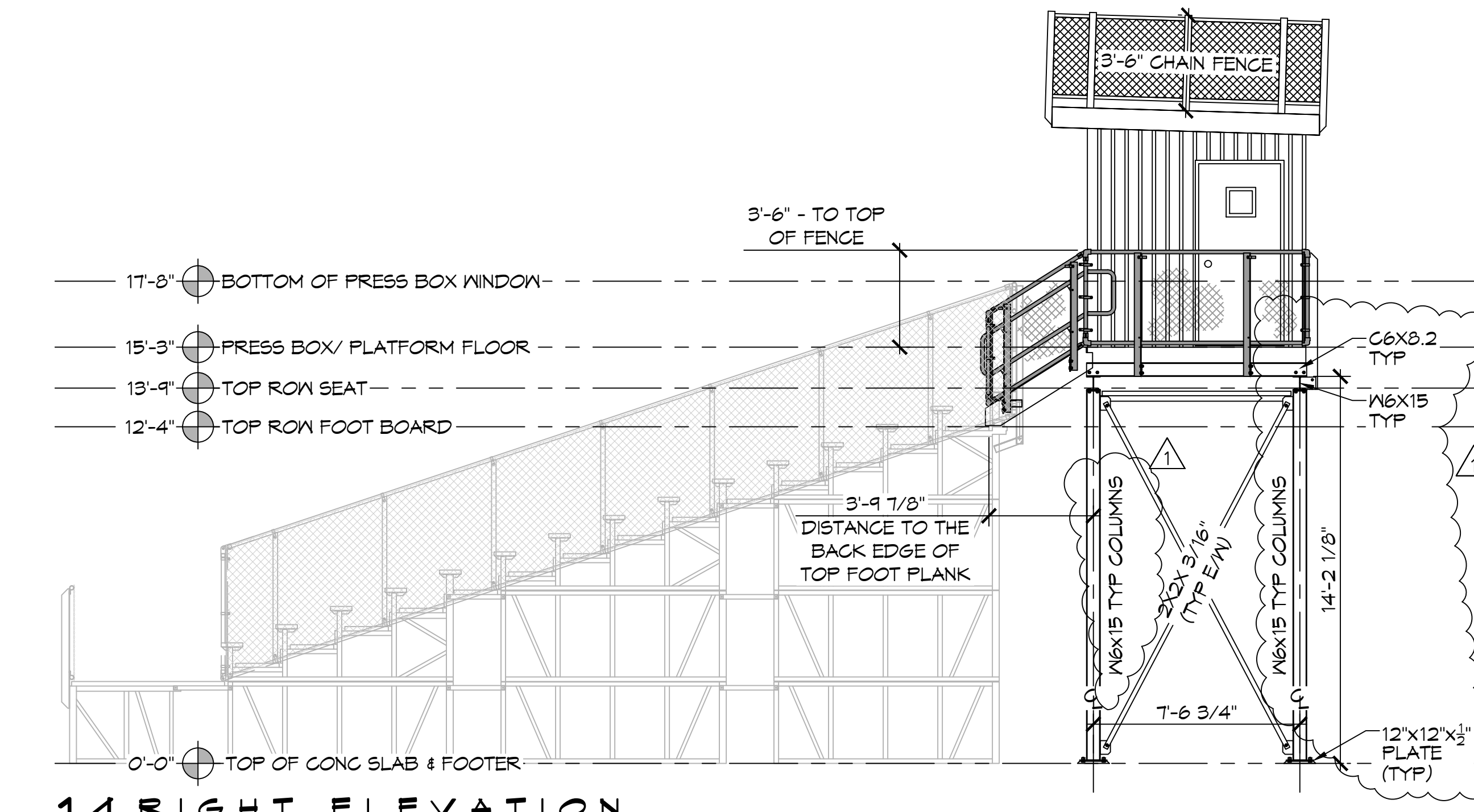
16 PRESS BOX STRUCTURE
SCALE: 1/4" = 1'-0"



12 LEFT ELEVATION
SCALE: 1/4" = 1'-0"



DETAIL-C
SCALE: 1/4" = 1'-0"



14 RIGHT ELEVATION
SCALE: 1/4" = 1'-0"

DAMMON
ENGINEERING, INC.
LOUISIANA & MISSISSIPPI
www.dammonengineering.com
info@dammonengineering.com
PH: 985.649.8832
Chief Engineer: Brian Mischik, PE
554 Old Spanish Trail
Stellat, LA 70458

#	DESCRIPTION	DATE
1	ADDED CHANNEL SIZES	08-10-22



NEW PRESS BOX
SCHOOL HIGH
SACCOL
SACCOL
300 SPARTAN DRIVE
SULPHELL, LA 70458
JOB No: 2455 DATE: 07-14-2022
DRAWN BY: TNT CHECKED BY: BAM

SHEET TITLE:
PRESS BOX
LAYOUT &
ELEVATIONS
DRAWING NUMBER:
A102
SHEET No: 6 of 7