

PANEL SCHEDULE

PANEL: FP1		LOCATION: PRESS BOX		FEEDER SOURCE: EXISTING PANEL		VOLTAGE: 240/120, 1Ø, 3 WIRE, WITH 100A MAIN BREAKER		ENCLOSURE: FLUSH MOUNTED IV EQUIPMENT GND BAR SQ D TYPE GO LOAD CENTER								
CKT NO	THHN WIRE SIZE	LOAD DESCRIPTION	BREAKER		LOAD (VA)	AØ	BØ	LOAD (VA)	BREAKER		LOAD DESCRIPTION	THHN WIRE SIZE	CKT NO			
		LOCATION	AMP	POLE					POLE	AMP				LOCATION		
1	12	RECEPTACLE, ROOM 1	20	1	180			180	1	20	RECEPTACLE, ROOM 2	12	2			
3	12	RECEPTACLE, ROOM 1	20	1	180			180	1	20	RECEPTACLE, ROOM 2	12	4			
5	12	RECEPTACLE, ROOM 1	20	1	180			180	1	20	RECEPTACLE, ROOM 2	12	6			
7	12	RECEPTACLE, ROOM 3	20	1	180			180	1	20	RECEPTACLE, ROOM 4	12	8			
9	12	RECEPTACLE, ROOM 3	20	1	180			180	1	20	RECEPTACLE, ROOM 4	12	10			
11	12	RECEPTACLE, ROOM 3	20	1	180			180	1	20	RECEPTACLE, ROOM 4	12	12			
13	12	LIGHTING	20	1	300				1	20	SPARE		14			
15	12	RECEPTACLES, REAR WALL	20	1	720				1	20	SPARE		16			
17	10	A/C ROOM 1	30	2	1750			1750	2	30	A/C ROOM 2	10	18			
19					1750			1750					20			
21	10	A/C ROOM 3	30	2	1750			1750	2	30	A/C ROOM 4	10	22			
23					1750			1750					24			
25		SPACE						360	1	20	QUAD RECEPTACLE, ROOM 1	12	26			
27		SPACE						360	1	20	QUAD RECEPTACLE, ROOM 1	12	28			
29		SPACE						360	1	20	QUAD RECEPTACLE, ROOM 1	12	30			
31		SPACE							1	20	SPARE		32			
					TOTAL CONNECTED LOAD (VA) = 18,260							GROUND BUS				
					AØ = 9,100		BØ = 9,160							GROUND WIRE (G)		

ELECTRICAL LEGEND

- SATCO #62-1054 45W/LED/1x4/FLUSH/3K/WH 45 WATT, 3000K LED, 1x4 SURFACE MOUNTED LIGHT (ELECTRICAL BOX IN CENTER)
- LITHONIA #ECRG-HO-RD-M6 EMERGENCY COMBINATION EXIT/FLOOD LIGHT W/ MIN. 90 MINUTE BATTERY BACK-UP (WALL MOUNT)
- LITHONIA #ERE-SGL-WP REMOTE EMERGENCY LIGHT HEAD (GRAY)
- INTERMATIC #E1500 PROGRAMMABLE ASTRONOMICAL TIMER SWITCH (LIGHT ALMOND)
- LUTRON #MSOPS5MLA, (1) POLE OCCUPANCY SENSOR SWITCH W/ MANUAL OVERRIDE - WALL MOUNTED
- ELECTRICAL DISTRIBUTION LOAD CENTER W/ MAIN DISCONNECT - 120/240V, SINGLE Ø, 100 AMP CAPACITY, SQ. D #QO120M100-UP 48" TO CENTER, W/ (1) 1-1/2" CONDUIT THRU FLOOR, W/ (1) 3/4" CONDUIT THRU FLOOR
- #5400 SERIES CONTINUOUS ELECTRIC WIRE MOLD (IVORY) W/ RECEPTS AND COMMUNICATION JACK COVERS 48" O.C. AND 3/4" CONDUIT THRU FLOOR AT EACH END OF PRESS BOX FOR ACCESS - UP 14"
- 2 1/2" GROMMETED HOLE THRU COUNTER
- ROOF ELECTRICAL ACCESS - 2"x4" WATERPROOF FASCIA MOUNTED JUNCTION BOX W/ 3/4" EMT CONDUIT TO ENTRANCE PANEL FOR FUTURE USE. WEATHER - RESISTANT RECEPTACLES IN WEATHER PROOF ENCLOSURES TO BE INSTALLED ON GUARD RAILS BY EC
- ZONELINE #AZ45E0TDAB 3.5 KW ELECTRIC WALL MOUNT W/ DRAIN KIT, HEAT/COOL UNIT - UP T, 7,000 BTU COOL, 11,700 BTU HEAT
- PASS & SEYMOUR #3232-LA 20A 125V SPEC. GRADE, GROUNDING TYPE, RECEPTACLE (LIGHT ALMOND) 18" A.F.F. UNLESS NOTED
- PASS & SEYMOUR 420-W QUAD RECEPTACLE 20A 125V, SPEC. GRADE, GROUNDING TYPE, RECEPTACLE, MID WALL HEIGHT.

NOTE: NAMING A CERTAIN BRAND, MAKE OR MANUFACTURER IS TO DESIGNATE THE GENERAL STYLE, TYPE, CHARACTER AND QUALITY STANDARD OF THE PRODUCT DESIRED OR EQUIVALENT.

GENERAL POWER NOTES

1. ALL WORK SHALL CONFORM TO THE LATEST EDITION OF THE NATIONAL ELECTRICAL CODE, THE GOVERNING ELECTRICAL CODE AND ALL OTHER INTERSECTION DEPARTMENTS HAVING JURISDICTION. OBTAIN CERTIFICATES OR APPROVALS WHERE REQUIRED. ELECTRICAL CONTRACTOR SHALL VERIFY ALL WIRE AND CONDUIT SIZES FOR MECHANICAL EQUIPMENT TO BE INSTALLED.
2. ALL MATERIALS FURNISHED SHALL BE NEW AND SHALL BE U.L. LISTED.
3. THE DRAWINGS INDICATE SIZE AND GENERAL LOCATION OF WORK. SCALE DIMENSIONS SHALL NOT BE USED. THE EXACT LOCATION OF ALL LIGHTING FIXTURES, RECEPTACLES AND TELEPHONE OUTLETS, ETC. SHALL BE DETERMINED BY ACTUAL CONDITIONS IN THE FIELD.
4. PRIOR TO BIDDING, CONTRACTOR SHALL VISIT THE JOB SITE AND FAMILIARIZE THEMSELVES WITH THE EXISTING CONDITIONS.
5. ELECTRICAL CONTRACTOR SHALL COORDINATE HIS WORK WITH OTHER TRADES AND WITH OTHER CONTRACTORS WHOSE WORK MAY AFFECT THIS INSTALLATION.
6. ELECTRICAL CONTRACTOR SHALL COORDINATE INCOMING ELECTRICAL SERVICE WITH UTILITY COMPANY AND INCLUDE IN HIS BID ALL CHARGES AND FEES INCURRED IN MODIFICATIONS.
7. ELECTRICAL CONTRACTOR SHALL COORDINATE THE TELEPHONE INSTALLATION WITH THE TELEPHONE COMPANY AND THE GENERAL CONTRACTOR.
8. ELECTRICAL CONTRACTOR, BEFORE INSTALLING ANY OF THE WORK, SHALL SEE THAT IT DOES NOT INTERFERE WITH CLEARANCES REQUIRED FOR FINISHED COLUMNS, HUNG CEILINGS, PLASTER, PARTITIONS, WALLS, ETC. AS SHOWN IN THE ARCHITECTURAL DRAWINGS AND DETAILS. IF ANY WORK IS INSTALLED AND IT LATER DEVELOPS THAT SUCH DETAILS OR DESIGN CANNOT BE FOLLOWED, THE CONTRACTOR, AT HIS OWN EXPENSE, SHALL MAKE SUCH CHANGES IN THE WORK AS DIRECTED BY THE ARCHITECT, AS WELL AS TO PERMIT THE INSTALLATION OF THE ARCHITECTURAL WORK AS SHOWN ON THE PLANS AND DETAILS.
9. PERFORM TEST REQUIRED BY THE OWNER OR THE ENGINEER IN CONNECTION WITH THE OPERATION OF THE ELECTRICAL SYSTEM IN THE BUILDING. ALL TESTS SHALL BE MADE IN ACCORDANCE WITH THE LATEST STANDARD OF THE IEEE AND THE NATIONAL ELECTRICAL CODE.
10. MINIMUM CONDUCTOR SIZE SHALL BE #12, 600V INSULATION. MINIMUM SIZE CONDUIT SHALL BE 3/4" ELECTRICAL METALLIC TUBING (EMT) FOR INTERIOR USE, 3/4" SCHEDULE 80 PVC FOR EXTERIOR USE ABOVE GRADE AND 1" SCHEDULE 40 PVC FOR EXTERIOR USE BELOW GRADE. BURIED A MINIMUM OF 18" FOR NON-VEHICULAR PROPERTY AREAS AND 36" IN VEHICULAR TRAFFIC AREAS. EMT SHALL BE USED WITH METAL STUD CONSTRUCTION AND ALL ASSEMBLY OCCUPANCIES. USE NMC IN WOOD CONSTRUCTION. 6 FT LENGTH MC CABLE IS ALLOWED ABOVE DROPPED CEILING. INTERIOR FITTINGS SHALL BE CAST BOXES WITH NEBA 3R COVER(S).
11. CONTRACTOR SHALL INSTALL WIRING, CIRCUIT BREAKERS AND OTHER CIRCUIT COMPONENTS TO MATCH EQUIPMENT ACTUALLY INSTALLED.
12. ALL 120V RUNS LONGER THAN 60 FEET SHALL BE #10 AWG AND 277V RUNS LONGER THAN 150 FEET SHALL BE #10 AWG UNLESS NOTED OTHERWISE.
13. INSTALL GROUND FAULT RECEPTACLES AT RECEPTACLE LOCATIONS WITHIN 5' OF SINKS OR LAVATORIES, AND AT EXTERIOR LOCATIONS. EXTERIOR RECEPTACLES SHALL ALSO BE WATERPROOF. ALL RECEPTACLES IN THE KITCHEN AREA SHALL HAVE GROUND FAULT PROTECTION.
14. BONDING AND GROUNDING SHALL BE IN ACCORDANCE WITH NFPA 70:250-69, NFPA 250-23, 250-11 & 250-12.
15. GROUND NEUTRAL IN ACCORDANCE WITH NFPA 70:250-230.
16. FUSES SHALL BE ITT CLASS K5, 250 VOLT, 200,000 AMP INTERRUPTING CAP.
17. PROVIDE SERVICES OF A FIRE/SMOKE DETECTION AND ALARM COMPANY TO DESIGN AND INSTALL ALARM SYSTEM TO MEET REQUIREMENTS OF THE STATE FIRE MARSHALL AND THE FIRE DISTRICT.
18. EXTERIOR LIGHTING SHALL BE SHADED OR INWARDLY DIRECTED IN SUCH A MANNER SO THAT NO DIRECT LIGHTING OR GLARE IS CAST BEYOND THE PROPERTY LINE. THE INTENSITY OF SUCH LIGHTING SHALL NOT EXCEED ONE FOOT CANDLE AS MEASURED AT THE ADJUTING PROPERTY LINE.
19. ALL ELECTRICAL, MECHANICAL AND PLUMBING PENETRATING FIRE PARTITIONS SHALL BE FIRE CAULKED. (PENETRATIONS THROUGH RATED CONSTRUCTION SHALL BE SEALED WITH A MATERIAL CAPABLE OF PREVENTING THE PASSAGE OF FLAMES AND HOT GASES WHEN TESTED IN ACCORDANCE WITH ASTM-E814.)
20. VERIFY ELECTRICAL CONNECTIONS PER MANUFACTURER'S RECOMMENDATIONS.
21. ALL BRANCH CIRCUITS SERVING PATIENT CARE AREAS SHALL PROVIDE AN EFFECTIVE GROUND-FAULT CURRENT PATH BY INSTALLATION IN A METAL RACEWAY SYSTEM OR A METAL GRADE MC CABLE (NEC ART. 511.15(A) & (B)).

GENERAL LIGHTING NOTES

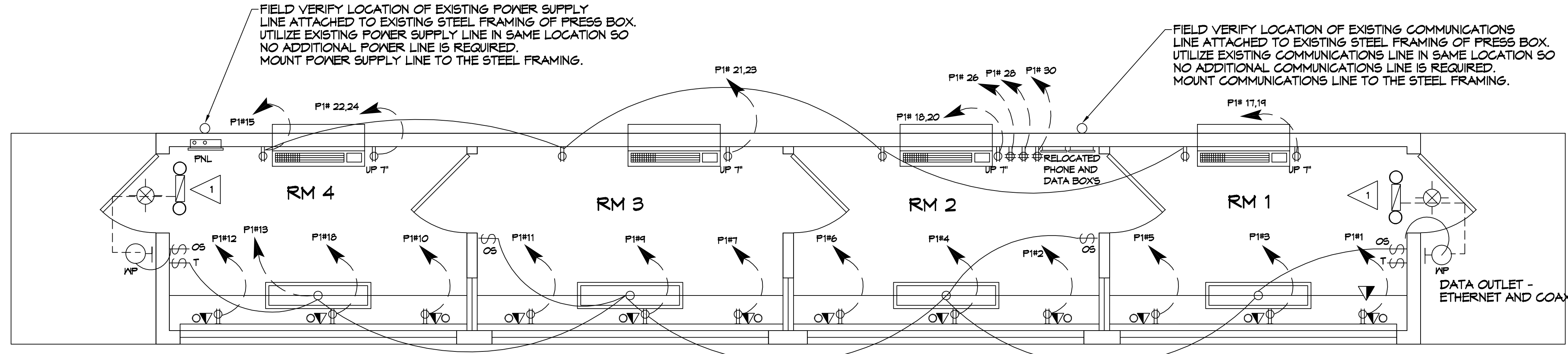
1. ALL WORK SHALL COMPLY WITH APPLICABLE NATIONAL, STATE, AND LOCAL CODES, RULES, REGULATIONS, AND REQUIREMENTS OF THE SERVICE UTILITY COMPANY.
2. GENERAL CONTRACTOR SHALL NOTIFY THE ARCHITECT IMMEDIATELY IF ANY CONFLICTS OCCUR BETWEEN LIGHTING AND ANY OTHER TRADE. DO NOT PROCEED WITH INSTALLATION IN THAT AREA UNTIL CONFLICT HAS BEEN RESOLVED TO THE SATISFACTION OF THE ARCHITECT AND ENGINEER.
3. REFER TO ARCHITECTURAL DRAWINGS FOR EXACT LOCATION AND MOUNTING INSTRUCTIONS FOR ALL LIGHT FIXTURES. NOTIFY THE ARCHITECT AND ENGINEER OF ANY DISCREPANCIES BETWEEN THESE PLANS AND THE ARCHITECTURAL PLANS RELATING TO QUANTITY, TYPE AND LOCATION OF DEVICES AND/OR FIXTURES.
4. WHEN SPECIFIC LIGHTING FIXTURES HAVE BEEN SPECIFIED IN THE FIXTURE SCHEDULE, ELECTRICAL CONTRACTOR SHALL PROVIDE COMPLETE ASSEMBLY INCLUDING ALL PARTS AND HARDWARE TO INSURE PROPER FUNCTIONING FIXTURE.
5. ALL CONDUCTORS SHALL BE A MINIMUM OF #12 AWG UNLESS NOTED OTHERWISE.
6. ALL 120V RUNS LONGER THAN 60 FEET SHALL BE #10 AWG AND 277V RUNS LONGER THAN 150 FEET SHALL BE #10 AWG UNLESS NOTED OTHERWISE.
7. ALL CONDUCTORS SHALL BE COPPER.
8. WHERE CONDUCTOR SIZES ARE NOTED ON DRAWINGS, THAT WIRE SIZE SHALL BE THROUGH THE ENTIRE RUN UNLESS OTHERWISE NOTED.
9. MOUNTED LIGHT SWITCHES 48" AFF UNLESS NOTED OTHERWISE ON ARCHITECTURAL DRAWINGS.
10. WHERE MORE THAN ONE SWITCH OCCURS IN THE SAME LOCATION, THEY SHALL BE INSTALLED IN A GANG TYPE BOX UNDER ONE COVER PLATE. ALL GANGED SWITCHES SHALL HAVE A COMMON SEAMLESS FACEPLATE. EACH MULTI-GANGED BOX SHALL BE NO MORE THAN SIX (6) SWITCHES WIDE. WHERE MORE THAN SIX (6) SWITCHES ARE SHOWN AT ONE (1) LOCATION, ADDITIONAL MULTI-GANGED BOXES SHALL BE STACKED VERTICALLY AND THE WIDTH OF THE MULTI-GANGED SHALL BE AS EVEN AS POSSIBLE.
11. EACH DIMMER SWITCH SHALL HAVE A WATTAGE RATING 25% HIGHER THAN THE TOTAL WATTAGE OF ALL LIGHTS TO BE CONTROLLED BY THE DIMMER. DIMMER SIZES 600, 1000, 1500, AND 2000 WATTS. LUTRON NOVA T-STAR. WHERE SWITCHES ARE GANGED WITH DIMMERS, THE SWITCHES SHALL ALSO BE LUTRON NOVA T-STAR. FLUORESCENT AND LOW VOLTAGE DIMMERS SHALL BE LUTRON NOVA T-STAR.
12. ALL EMERGENCY EXIT LIGHT FIXTURES SHALL HAVE 90 MINUTE BATTERY BACKUP WITH INTEGRAL TEST BUTTON AND SHALL BURN CONTINUOUSLY.
13. ALL FLUORESCENT FIXTURES THAT UTILIZE DOUBLE-ENDED LAMPS AND CONTAIN BALLASTS SHALL BE PROVIDED WITH A DISCONNECTING MEANS IN ACCORDANCE WITH NEC 410.136.

RISER DIAGRAM NOTES

1. EXISTING UNDERGROUND FEEDER TO REMAIN.
2. EXISTING 240/120V, 125A, 1Ø, 3 WIRE PANEL TO REMAIN. DISCONNECT AND REMOVE ALL WIRING TO EXISTING PRESS BOX. INSTALL NEW 100A, 2 POLE CIRCUIT BREAKER IN SPACE #12/14.
3. PROVIDE TEMPORARY SUPPORT FOR PANEL AND JUNCTION BOX DURING CONSTRUCTION.
4. NEW 240/120V, 100A, 1Ø, 3 WIRE PANEL WITH MAIN BREAKER, IN PRESS BOX.
5. EXISTING GROUND RODS AND GROUND WIRE IN PVC PIPE. RE CONNECT.

KEYED NOTES

1. PROVIDE CONNECTION TO UN-SWITCHED HOT OF LIGHTING CIRCUIT AND SHALL HAVE 90 MINUTE EMERGENCY BATTERY BACKUP.



DAMMON ENGINEERING, INC.
LOUISIANA & MISSISSIPPI

www.dammonengineering.com
354 Old Spanish Trail
Slidell, LA 70458
Phone: 985-649-5832

DATE	REVISIONS	DESCRIPTION

SEAL:

GENERAL LIGHTING NOTES

1. ALL WORK SHALL COMPLY WITH APPLICABLE NATIONAL, STATE, AND LOCAL CODES, RULES, REGULATIONS, AND REQUIREMENTS OF THE SERVICE UTILITY COMPANY.
2. GENERAL CONTRACTOR SHALL NOTIFY THE ARCHITECT IMMEDIATELY IF ANY CONFLICTS OCCUR BETWEEN LIGHTING AND ANY OTHER TRADE. DO NOT PROCEED WITH INSTALLATION IN THAT AREA UNTIL CONFLICT HAS BEEN RESOLVED TO THE SATISFACTION OF THE ARCHITECT AND ENGINEER.
3. REFER TO ARCHITECTURAL DRAWINGS FOR EXACT LOCATION AND MOUNTING INSTRUCTIONS FOR ALL LIGHT FIXTURES. NOTIFY THE ARCHITECT AND ENGINEER OF ANY DISCREPANCIES BETWEEN THESE PLANS AND THE ARCHITECTURAL PLANS RELATING TO QUANTITY, TYPE AND LOCATION OF DEVICES AND/OR FIXTURES.
4. WHEN SPECIFIC LIGHTING FIXTURES HAVE BEEN SPECIFIED IN THE FIXTURE SCHEDULE, ELECTRICAL CONTRACTOR SHALL PROVIDE COMPLETE ASSEMBLY INCLUDING ALL PARTS AND HARDWARE TO INSURE PROPER FUNCTIONING FIXTURE.
5. ALL CONDUCTORS SHALL BE A MINIMUM OF #12 AWG UNLESS NOTED OTHERWISE.
6. ALL 120V RUNS LONGER THAN 60 FEET SHALL BE #10 AWG AND 277V RUNS LONGER THAN 150 FEET SHALL BE #10 AWG UNLESS NOTED OTHERWISE.
7. ALL CONDUCTORS SHALL BE COPPER.
8. WHERE CONDUCTOR SIZES ARE NOTED ON DRAWINGS, THAT WIRE SIZE SHALL BE THROUGH THE ENTIRE RUN UNLESS OTHERWISE NOTED.
9. MOUNTED LIGHT SWITCHES 48" AFF UNLESS NOTED OTHERWISE ON ARCHITECTURAL DRAWINGS.
10. WHERE MORE THAN ONE SWITCH OCCURS IN THE SAME LOCATION, THEY SHALL BE INSTALLED IN A GANG TYPE BOX UNDER ONE COVER PLATE. ALL GANGED SWITCHES SHALL HAVE A COMMON SEAMLESS FACEPLATE. EACH MULTI-GANGED BOX SHALL BE NO MORE THAN SIX (6) SWITCHES WIDE. WHERE MORE THAN SIX (6) SWITCHES ARE SHOWN AT ONE (1) LOCATION, ADDITIONAL MULTI-GANGED BOXES SHALL BE STACKED VERTICALLY AND THE WIDTH OF THE MULTI-GANGED SHALL BE AS EVEN AS POSSIBLE.
11. EACH DIMMER SWITCH SHALL HAVE A WATTAGE RATING 25% HIGHER THAN THE TOTAL WATTAGE OF ALL LIGHTS TO BE CONTROLLED BY THE DIMMER. DIMMER SIZES 600, 1000, 1500, AND 2000 WATTS. LUTRON NOVA T-STAR. WHERE SWITCHES ARE GANGED WITH DIMMERS, THE SWITCHES SHALL ALSO BE LUTRON NOVA T-STAR. FLUORESCENT AND LOW VOLTAGE DIMMERS SHALL BE LUTRON NOVA T-STAR.
12. ALL EMERGENCY EXIT LIGHT FIXTURES SHALL HAVE 90 MINUTE BATTERY BACKUP WITH INTEGRAL TEST BUTTON AND SHALL BURN CONTINUOUSLY.
13. ALL FLUORESCENT FIXTURES THAT UTILIZE DOUBLE-ENDED LAMPS AND CONTAIN BALLASTS SHALL BE PROVIDED WITH A DISCONNECTING MEANS IN ACCORDANCE WITH NEC 410.136.

RISER DIAGRAM NOTES

1. EXISTING UNDERGROUND FEEDER TO REMAIN.
2. EXISTING 240/120V, 125A, 1Ø, 3 WIRE PANEL TO REMAIN. DISCONNECT AND REMOVE ALL WIRING TO EXISTING PRESS BOX. INSTALL NEW 100A, 2 POLE CIRCUIT BREAKER IN SPACE #12/14.
3. PROVIDE TEMPORARY SUPPORT FOR PANEL AND JUNCTION BOX DURING CONSTRUCTION.
4. NEW 240/120V, 100A, 1Ø, 3 WIRE PANEL WITH MAIN BREAKER, IN PRESS BOX.
5. EXISTING GROUND RODS AND GROUND WIRE IN PVC PIPE. RE CONNECT.

KEYED NOTES

1. PROVIDE CONNECTION TO UN-SWITCHED HOT OF LIGHTING CIRCUIT AND SHALL HAVE 90 MINUTE EMERGENCY BATTERY BACKUP.

NEW PRESS BOX LIGHTING PLAN

SHEET TITLE: POWER AND LIGHTING PLAN

DRAWING NUMBER: E101

JOB NO: 2498 DATE: 07-14-2022
300 SPARTAN DRIVE SLIDELL, LA 70458
DRAWN BY: CAD CHECKED BY: BAH

SHEET No: 7 of 7