

PANEL SCHEDULE

PANEL:		FF1		VOLTAGE:		240/120, 1Ø, 3 WIRE, WITH 100A MAIN BREAKER					
LOCATION:		PRESS BOX		ENCLOSURE:		FLUSH MOUNTED W/ EQUIPMENT GND BAR SQ D TYPE GO LOAD CENTER					
FEEDER SOURCE:		EXISTING PANEL									
CKT NO	THHN WIRE SIZE	LOAD DESCRIPTION	BREAKER	LOAD (VA)	AØ		LOAD (VA)	BREAKER	LOAD DESCRIPTION	THHN WIRE SIZE	CKT NO
		LOCATION	AMP POLE			POLE AMP			LOCATION		
1	12	RECEPTACLE, ROOM 1	20 1	180			180	1 20	RECEPTACLE, ROOM 2	12	2
3	12	RECEPTACLE, ROOM 1	20 1	180			180	1 20	RECEPTACLE, ROOM 2	12	4
5	12	RECEPTACLE, ROOM 1	20 1	180			180	1 20	RECEPTACLE, ROOM 2	12	6
7	12	RECEPTACLE, ROOM 3	20 1	180			180	1 20	RECEPTACLE, ROOM 4	12	8
9	12	RECEPTACLE, ROOM 3	20 1	180			180	1 20	RECEPTACLE, ROOM 4	12	10
11	12	RECEPTACLE, ROOM 3	20 1	180			180	1 20	RECEPTACLE, ROOM 4	12	12
13	12	LIGHTING	20 1	300				1 20	SPARE		14
15	12	RECEPTACLES, REAR WALL	20 1	720				1 20	SPARE		16
17	10	A/C ROOM 1	30 2	1750			1750	2 30	A/C ROOM 2	10	18
19				1750			1750				20
21	10	A/C ROOM 3	30 2	1750			1750	2 30	A/C ROOM 4	10	22
23				1750			1750				24
25		SPACE					360	1 20	QUAD RECEPTACLE, ROOM 1	12	26
27		SPACE					360	1 20	QUAD RECEPTACLE, ROOM 1	12	28
29		SPACE					360	1 20	QUAD RECEPTACLE, ROOM 1	12	30
31		SPACE						1 20	SPARE		32
				TOTAL CONNECTED LOAD (VA) = 18,260				GROUND BUS			
				AØ = 9,100				GROUND WIRE (G)			
				BØ = 9,160							

ELECTRICAL LEGEND

-
-
-
-
-
-
-
-
-
-
-
-
-

NOTE: NAMING A CERTAIN BRAND, MAKE OR MANUFACTURER IS TO DESIGNATE THE GENERAL STYLE, TYPE, CHARACTER AND QUALITY STANDARD OF THE PRODUCT DESIRED OR EQUIVALENT.

GENERAL POWER NOTES

- ALL WORK SHALL CONFORM TO THE LATEST EDITION OF THE NATIONAL ELECTRICAL CODE AND ALL OTHER INSPECTION DEPARTMENTS HAVING JURISDICTION. OBTAIN CERTIFICATES OR APPROVAL WHERE REQUIRED. ELECTRICAL CONTRACTOR SHALL VERIFY ALL WIRE AND CONDUIT SIZES FOR MECHANICAL EQUIPMENT TO BE INSTALLED.
- ALL MATERIALS FURNISHED SHALL BE NEW AND SHALL BE U.L. LISTED.
- THE DRAWINGS INDICATE SIZE AND GENERAL LOCATION OF WORK. SCALE DIMENSIONS SHALL NOT BE USED, THE EXACT LOCATION OF ALL LIGHTING FIXTURES, RECEPTACLES AND TELEPHONE OUTLETS, ETC. SHALL BE DETERMINED BY ACTUAL CONDITIONS IN THE FIELD.
- PRIOR TO BIDDING, CONTRACTOR SHALL VISIT THE JOB SITE AND FAMILIARIZE THEMSELVES WITH THE EXISTING CONDITIONS.
- ELECTRICAL CONTRACTOR SHALL COORDINATE HIS WORK WITH OTHER TRADES AND WITH OTHER CONTRACTORS WHOSE WORK MAY AFFECT THIS INSTALLATION.
- ELECTRICAL CONTRACTOR SHALL COORDINATE INCOMING ELECTRICAL SERVICE WITH UTILITY COMPANY AND INCLUDE IN HIS BID ALL CHARGES AND FEES INCURRED IN MODIFICATIONS.
- ELECTRICAL CONTRACTOR SHALL COORDINATE THE TELEPHONE INSTALLATION WITH THE TELEPHONE COMPANY AND THE GENERAL CONTRACTOR.
- ELECTRICAL CONTRACTOR, BEFORE INSTALLING ANY OF THE WORK, SHALL SEE THAT IT DOES NOT INTERFERE WITH CLEARANCES REQUIRED FOR FINISHED COLUMNS, HUNG CEILINGS, PLASTER, PARTITIONS, WALLS, ETC. AS SHOWN IN THE ARCHITECTURAL DRAWINGS AND DETAILS. IF ANY WORK IS INSTALLED AND IT LATER DEVELOPS THAT SUCH DETAILS OR DESIGN CANNOT BE FOLLOWED, THE CONTRACTOR, AT HIS OWN EXPENSE, SHALL MAKE SUCH CHANGES IN THE WORK AS DIRECTED BY THE ARCHITECT, AS WELL AS TO PERMIT THE INSTALLATION OF THE ARCHITECTURAL WORK AS SHOWN ON THE PLANS AND DETAILS.
- PERFORM TEST REQUIRED BY THE OWNER OR THE ENGINEER IN CONNECTION WITH THE OPERATION OF THE ELECTRICAL SYSTEM IN THE BUILDING. ALL TESTS SHALL BE MADE IN ACCORDANCE WITH THE LATEST STANDARD OF THE IEEE AND THE NATIONAL ELECTRICAL CODE.
- MINIMUM CONDUCTOR SIZE SHALL BE #12, 600V INSULATION. MINIMUM SIZE CONDUIT SHALL BE 3/4" ELECTRICAL METALLIC TUBING (EMT) FOR INTERIOR USE, 3/4" SCHEDULE 40 P.V.C. FOR EXTERIOR USE ABOVE GRADE AND 1" SCHEDULE 40 P.V.C. FOR EXTERIOR USE BELOW GRADE, BURIED A MINIMUM OF 18" FOR NON-VEHICULAR TRAFFIC AREAS AND 36" IN VEHICULAR TRAFFIC AREAS. EMT SHALL BE USED WITH METAL STUD CONSTRUCTION AND ALL ASSEMBLY OCCUPANCIES. USE NMC IN WOOD CONSTRUCTION. 6 FT LENGTH PVC CABLE IS ALLOWED ABOVE DROPPED CEILING. INTERIOR FITTINGS SHALL BE CAST WHERE EXPOSED ON WALLS, AND EXTERIOR FITTINGS SHALL BE CAST BOXES WITH NEMA 3R COVER(S).
- CONTRACTOR SHALL INSTALL WIRING, CIRCUIT BREAKERS AND OTHER CIRCUIT COMPONENTS TO MATCH EQUIPMENT ACTUALLY INSTALLED.
- ALL 120V RUNS LONGER THAN 60 FEET SHALL BE #10 AWG AND 277V RUNS LONGER THAN 150 FEET SHALL BE #10 AWG UNLESS NOTED OTHERWISE.
- INSTALL GROUND FAULT RECEPTACLES AT RECEPTACLE LOCATIONS WITHIN 5' OF SINKS OR LAVATORIES, AND AT EXTERIOR LOCATIONS. EXTERIOR RECEPTACLES SHALL ALSO BE WATERPROOF. ALL RECEPTACLES IN THE KITCHEN AREA SHALL HAVE GROUND FAULT PROTECTION.
- BONDING AND GROUNDING SHALL BE IN ACCORDANCE WITH NFPA 70:250-63, NFPA 250-23, 250-11 & 250-12.
- GROUND NEUTRAL IN ACCORDANCE WITH NFPA 70:250-230.
- FUSES SHALL BE ITC CLASS K5, 250 VOLT, 200,000 AMP INTERRUPTING CAP.
- PROVIDE SERVICES OF A FIRE/SMOKE DETECTION AND ALARM COMPANY TO DESIGN AND INSTALL ALARM SYSTEM TO MEET REQUIREMENTS OF THE STATE FIRE MARSHALL AND THE FIRE DISTRICT.
- EXTERIOR LIGHTING SHALL BE SHADED OR INWARDLY DIRECTED IN SUCH A MANNER SO THAT NO DIRECT LIGHTING OR GLARE IS CAST BEYOND THE PROPERTY LINE. THE INTENSITY OF SUCH LIGHTING SHALL NOT EXCEED ONE FOOT CANDLE AS MEASURED AT THE ADJUTING PROPERTY LINE.
- ALL ELECTRICAL, MECHANICAL AND PLUMBING PENETRATING FIRE PARTITIONS SHALL BE FIRE CAULKED. (PENETRATIONS THROUGH RATED CONSTRUCTION SHALL BE SEALED WITH A MATERIAL CAPABLE OF PREVENTING THE PASSAGE OF FLAMES AND HOT GASES WHEN TESTED IN ACCORDANCE WITH ASTM-E814).
- VERIFY ELECTRICAL CONNECTIONS PER MANUFACTURER'S RECOMMENDATIONS.
- ALL BRANCH CIRCUITS SERVING PATIENT CARE AREAS SHALL PROVIDE AN EFFECTIVE GROUND-FAULT CURRENT PATH BY INSTALLATION IN A METAL RACEWAY SYSTEM OR A MEDICAL GRADE MC CABLE (NEC ART. 511.19(A) & (B)).

GENERAL LIGHTING NOTES

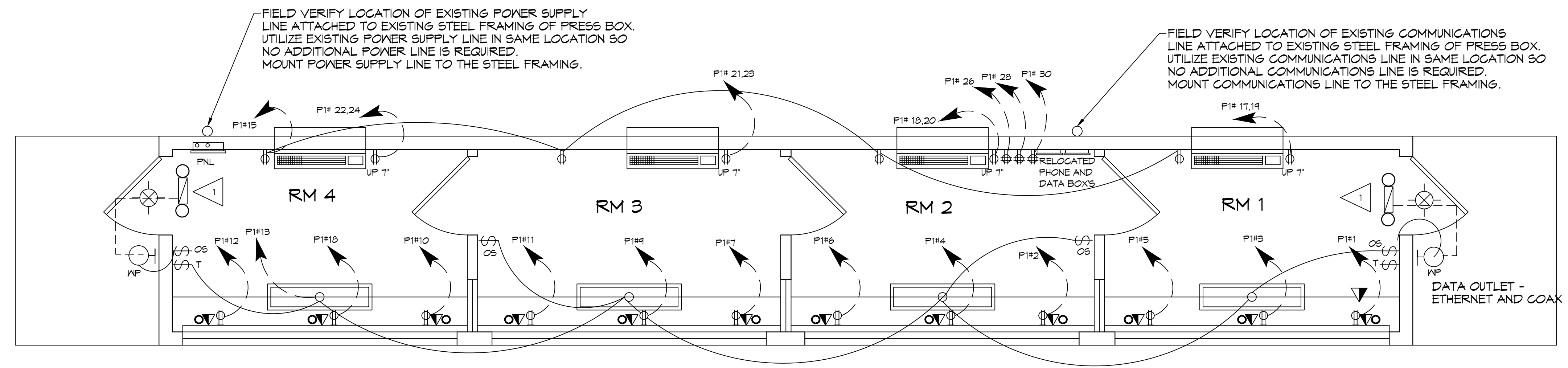
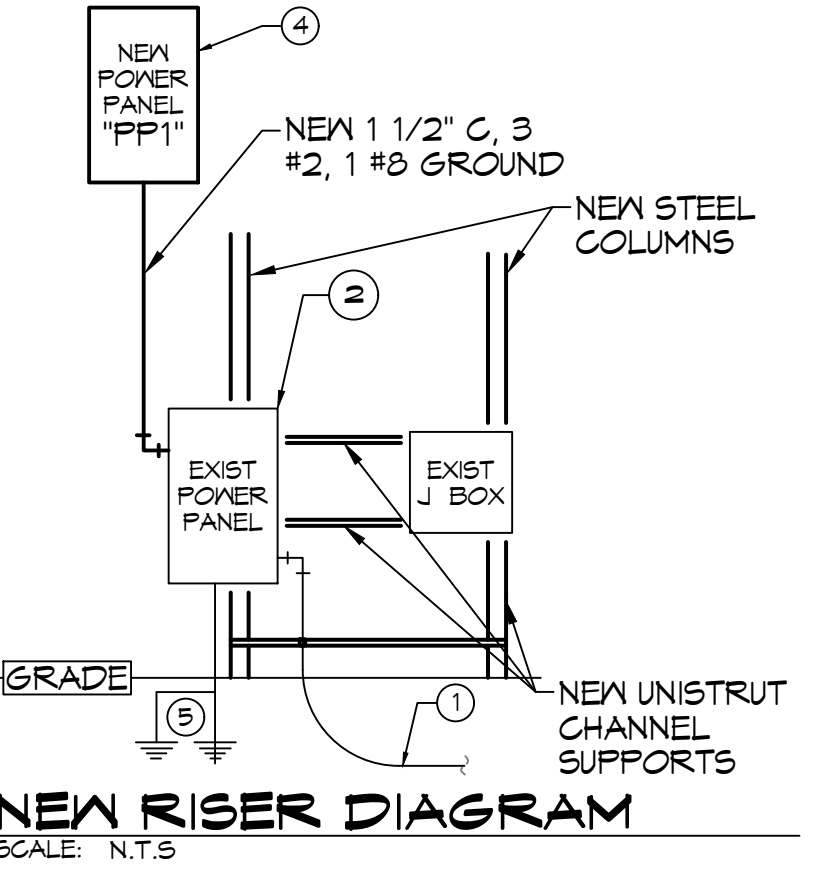
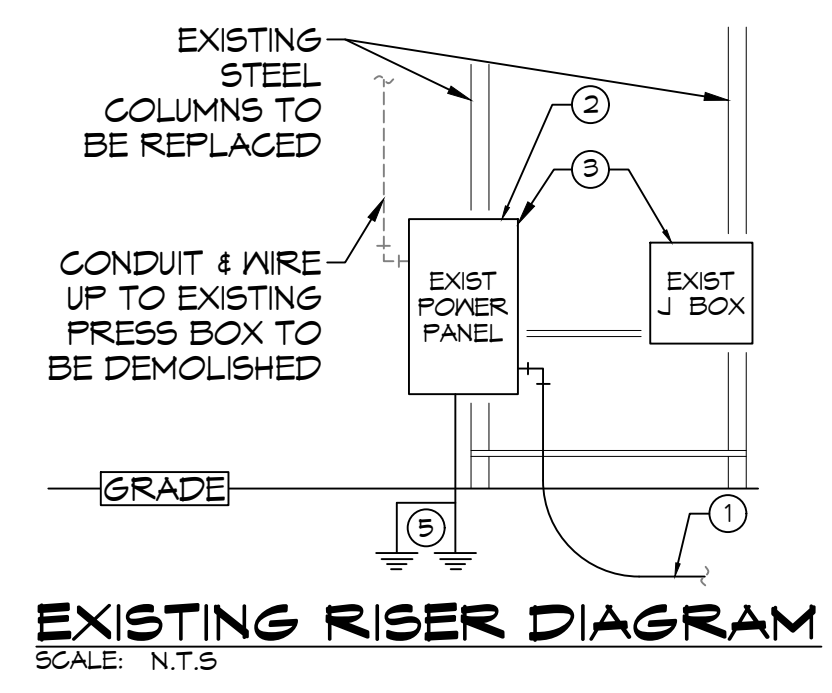
- ALL WORK SHALL COMPLY WITH APPLICABLE NATIONAL, STATE, AND LOCAL CODES, RULES, REGULATIONS, AND REQUIREMENTS OF THE SERVICE UTILITY COMPANY.
- GENERAL CONTRACTOR SHALL NOTIFY THE ARCHITECT IMMEDIATELY IF ANY CONFLICTS OCCUR BETWEEN LIGHTING AND ANY OTHER TRADE. DO NOT PROCEED WITH INSTALLATION IN THAT AREA UNTIL CONFLICT HAS BEEN RESOLVED TO THE SATISFACTION OF THE ARCHITECT AND ENGINEER.
- REFER TO ARCHITECTURAL DRAWINGS FOR EXACT LOCATION AND MOUNTING INSTRUCTIONS FOR ALL LIGHT FIXTURES. NOTIFY THE ARCHITECT AND ENGINEER OF ANY DISCREPANCIES BETWEEN THESE PLANS AND THE ARCHITECTURAL PLANS RELATING TO QUANTITY, TYPE AND LOCATION OF DEVICES AND/OR FIXTURES.
- WHEN SPECIFIC LIGHT FIXTURE HAS BEEN SPECIFIED IN THE FIXTURE SCHEDULE, ELECTRICAL CONTRACTOR SHALL PROVIDE COMPLETE ASSEMBLY INCLUSIVE ALL PARTS AND HARDWARE TO INSURE PROPER FUNCTIONING FIXTURE.
- ALL CONDUCTORS SHALL BE COPPER.
- WHERE CONDUCTOR SIZES ARE NOTED ON DRAWINGS, THAT WIRE SIZE SHALL BE THROUGH THE ENTIRE RUN UNLESS OTHERWISE NOTED.
- MOUNTED LIGHT SWITCHES 48" AFF UNLESS NOTED OTHERWISE ON ARCHITECTURAL DRAWINGS.
- WHERE MORE THAN ONE SWITCH OCCURS IN THE SAME LOCATION, THEY SHALL BE INSTALLED IN A GANG TYPE BOX UNDER ONE COVER PLATE. ALL GANGED SWITCHES SHALL HAVE A COMMON SEAMLESS FACEPLATE. EACH MULTI-GANGED BOX SHALL BE NO MORE THAN SIX (6) SWITCHES WIDE. WHERE MORE THAN SIX (6) SWITCHES ARE SHOWN AT ONE (1) LOCATION, ADDITIONAL MULTI-GANGED BOXES SHALL BE STACKED VERTICALLY AND THE WIDTH OF THE MULTI-GANGS SHALL BE AS EVEN AS POSSIBLE.
- EACH DIMMER SWITCH SHALL HAVE A WATTAGE RATING 25% HIGHER THAN THE TOTAL WATTAGE OF ALL LIGHTS TO BE CONTROLLED BY THE DIMMER. DIMMER SIZES 600, 1000, 1500, AND 2000 WATTS. LUTRON NOVA T-STAR. WHERE SWITCHES ARE GANGED WITH DIMMERS, THE SWITCHES SHALL ALSO BE LUTRON NOVA T-STAR. FLUORESCENT AND LOW VOLTAGE DIMMERS SHALL BE LUTRON NOVA T-STAR.
- ALL EMERGENCY EXIT LIGHT FIXTURES SHALL HAVE 90 MINUTE BATTERY BACKUP WITH INTEGRAL TEST BUTTON AND SHALL BURN CONTINUOUSLY.
- ALL FLUORESCENT FIXTURES THAT UTILIZE DOUBLE-ENDED LAMPS AND CONTAIN BALLASTS SHALL BE PROVIDED WITH A DISCONNECTING MEANS IN ACCORDANCE WITH NEC 410.135.

RISER DIAGRAM NOTES

- EXISTING UNDERGROUND FEEDER TO REMAIN.
- EXISTING 240/120V, 125A, 1Ø, 3 WIRE PANEL TO REMAIN. DISCONNECT AND REMOVE ALL WIRING TO EXISTING PRESS BOX. INSTALL NEW 100A, 2 POLE CIRCUIT BREAKER IN SPACE #12/14.
- PROVIDE TEMPORARY SUPPORT FOR PANEL AND JUNCTION BOX DURING CONSTRUCTION.
- NEW 240/120V, 100A, 1Ø, 3 WIRE PANEL WITH MAIN BREAKER, IN PRESS BOX.
- EXISTING GROUND RODS AND GROUND WIRE IN P.V.C PIPE. RE CONNECT.

KEYED NOTES

- PROVIDE CONNECTION TO UN-SWITCHED HOT OF LIGHTING CIRCUIT AND SHALL HAVE 90 MINUTE EMERGENCY BATTERY BACKUP.



17 LIGHTING AND POWER PLAN
SCALE: 3/8"=1'-0"

DAMMON ENGINEERING, INC.
LOUISIANA & MISSISSIPPI
www.dammonengineering.com
554 Old Spanish Trail
Shreveport, LA 70508
PH: 985.649.8832

NO.	DATE	DESCRIPTION

STATE OF LOUISIANA
BRAN A. MISTICH
License No. 30187
8/12/2022
Professional Engineer

BOX LIGHTING
NEW PRESS BOX
300 SPARTAN DRIVE
SLIDELL, LA 70468
JOB No.: 2485
DATE: 07-14-2022
DRAWN BY: BAMI
CHECKED BY:

SHEET TITLE:
POWER AND LIGHTING PLAN

DRAWING NUMBER:
E101

SHEET No.: 7 of 7