

**LIFE-SAFETY INFORMATION**

<b>APPLICABLE CODES</b>	
NFPA 101 LIFE-SAFETY CODE 2015	
OCCUPANCY TYPE(S) AND CHAPTER(S)	
ASSEMBLY (CHAPTER 12)	
<b>OCCUPANT LOAD FACTOR</b>	(REFERENCE TABLE 7.3.1.2)
BUSINESS (concentrated use, without fixed seating)	10 OCCUPANTS
<b>CLASSIFICATION OF HAZARD OF CONTENTS</b>	
(REFERENCE: OCCUPANCY CHAPTER AND 6.2.2; SPECIFY LOW, ORDINARY, OR HIGH)	
CONST. TYPE= B(200) (REFERENCE: CHAPTERS, TABLE A.9.2.1.2 AND COMMENTARY TABLE 8.1 IN HANDBOOK)	
MINIMUM EXIT SEPARATION DISTANCE FOR REMOTELY LOCATED EXITS	
(REFERENCE: SECTION 7.5; SPECIFY 1/2 OR 1/3 DIAGONAL DISTANCE OF AREA SERVED)	
1/3 DIAGONAL =	101 FT / 3 = 33.6 FT
<b>MAXIMUM DEAD-END CORRIDORS</b>	(REFERENCE: OCCUPANCY CHAPTER AND TABLE A.7.6)
20 FEET	
<b>MAXIMUM COMMON PATH OF TRAVEL DISTANCE</b>	(REFERENCE: OCCUPANCY CHAPTER AND TABLE A.7.6)
20 FEET	
<b>MAXIMUM TRAVEL DISTANCE TO EXITS</b>	(REFERENCE: OCCUPANCY CHAPTER AND TABLE A.7.6)
250 FEET	
*MAIN ENTRANCE MUST BE SIGNED TO ACCOMMODATE 1/2 OCCUPANT LOAD OF BUILDING	
<b>EXTINGUISHMENT REQUIREMENTS</b>	NOT SPRINKLERED
<b>DETECTION, ALARM, AND COMMUNICATION SYSTEMS</b>	NO FIRE ALARM SYSTEM
<b>ALLOWABLE HEIGHT AND BUILDING AREA</b>	PER IBC EQUIVALENT CONSTRUCTION TYPE

**BUILDING CODE INFORMATION**

<b>APPLICABLE CODES</b>	
IBC 2015	
<b>BUSINESS GROUP</b>	(IBC 2015 CHAPTER 10)
<b>OCCUPANT LOAD CALCULATIONS</b>	(TABLE 1004.1.2)
BUSINESS GROUP B	
<b>TOTAL OCCUPANTS</b>	10 OCCUPANTS
<b>CONSTRUCTION TYPE(S)</b>	V B (SECTION 602)
<b>ALLOWABLE HEIGHT AND BUILDING AREA LIMITED BY TYPE OF CONSTRUCTION</b>	
MAXIMUM HEIGHT IN STORIES (SECTION 503 & 504, TABLE 504.4)	15
MAXIMUM AREA IN SQUARE FEET (SECTION 503, 506 & 507, TABLE 506.2)	6000
ACTUAL BUILDING FIRE AREA IN SQUARE FEET	24000

**WIND SPEED DESIGN REQUIREMENTS**

IMPROVEMENTS TO THIS BUILDING SHALL BE DESIGNED WITH IBC SEC 1609 AS A FULLY ENCLOSED BLDG USING THE FOLLOWING INFORMATION:

WIND DESIGN DATA: DETERMINATION OF WIND LOADS SHALL BE IN ACCORDANCE WITH IBC SEC 1609.3 (A), (B), OR (C) DEPENDING ON THE RISK CATEGORY

ULTIMATE WIND SPEED =	142 MPH (IBC FIG 1609C)	NOMINAL WIND SPEED =	V <sub>86d</sub> = 110 MPH
RISK FACTOR =	CATEGORY II	SURFACE ROUGHNESS =	B
TOPOGRAPHIC FACTOR =	1	EXPOSURE =	B
INTERNAL PRESSURE COEFFICIENT (ASCE 7-10 TABLE 26.11-1):	± 0.10		

**LIVE LOADS (IBC SEC 1607)**

ASSEMBLY MOVEABLE SEATING (IBC TABLE 1607.1):	100 PSF
PLATFORMS (ASSEMBLY) (IBC TABLE 1607.1):	100 PSF
LOBBIES (IBC TABLE 1607.1):	100 PSF
CLASSROOMS (IBC TABLE 1607.1):	40 PSF UNIFORM, 1,000 LB CONCENTRATED
ROOF LIVE LOADS (IBC TABLE 1607.1):	20 PSF UNIFORM, 300 LB CONCENTRATED
SNOW LOADS (IBC TABLE 1608):	
GROUND SNOW LOAD (IBC FIG 1608.2):	5 PSF

**FLOOD ZONE INFORMATION**

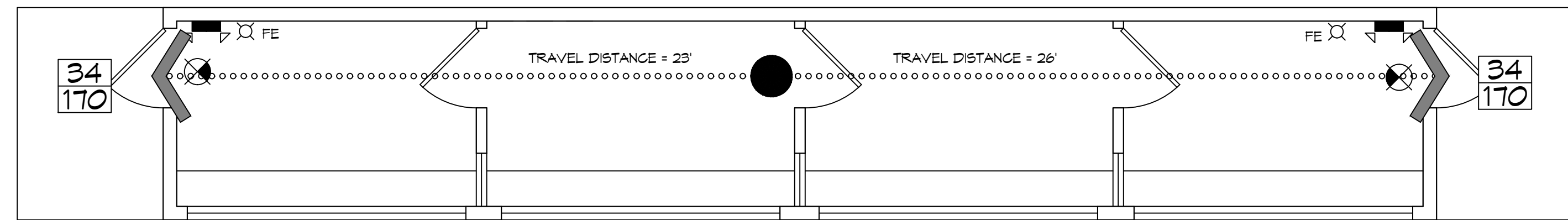
BASED ON THE LSU FLOOD MAP PROPERTY IS IN ZONE AE, EL. 11 BASE FLOOD.

FLOOD ZONE:	AE	BASE FLOOD ELEVATION:	11.0'
FIRM, COMMUNITY NUMBER 2203C0695F	DATE: 04/30/2008		

**LIFE-SAFETY LEGEND**

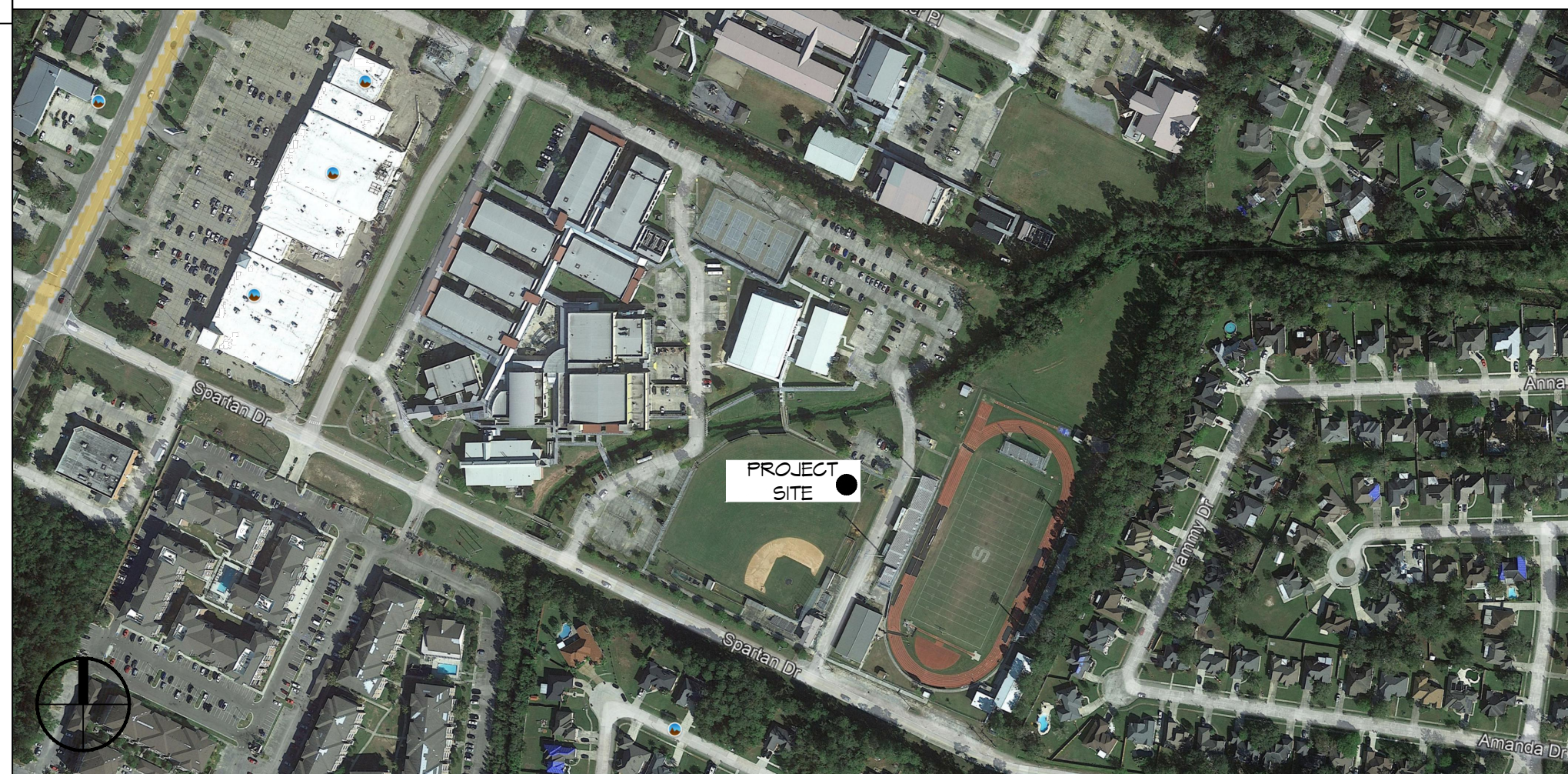
SYMBOL	DESCRIPTION
>	EXITS
(45)	DOOR FIRE RATINGS (MINUTES)
34 170	DOOR WIDTH/EGRESS CAPACITY
⊗	EXIT LIGHT
● FE	FIRE EXTINGUISHER W/ WALL MTD BRACKET
-----	COMMON PATH OF TRAVEL
.....	TRAVEL DISTANCE
●	DECISION POINT

# SALMEN HIGH SCHOOL PRESS BOX REPLACEMENT STPSB PROJECT NO. P0319



**LIFE-SAFETY PLAN**  
SCALE: 1/4" = 1'-0"

**VICINITY MAP**



**SHEET INDEX**

SHEET #	SHEET TITLE
G101	GENERAL INFORMATION SHEET
C101	PARTIAL SITE PLAN
D101	DEMOLITION PLAN
S101	FOUNDATION PLAN & DETAILS
A101	FLOOR PLAN, EXTERIOR ELEVATIONS, BLDG SECTION
A102	PRESS BOX LAYOUT AND ELEVATIONS
E101	POWER AND LIGHTING PLAN

**GENERAL NOTES**

- ALL MATERIALS AND WORK, INCIDENTAL TO THE CONSTRUCTION OF THIS PROJECT, SHALL CONFORM TO ALL GOVERNING CODES, AND REGULATIONS OF AGENCIES IN AUTHORITY.
- CONTRACTOR SHALL PROVIDE ALL PUBLIC PROTECTIONS NECESSARY AS REQUIRED BY LAW.
- THE DRAWINGS AND ANY SUBSEQUENTLY ISSUED ADDENDA, AMENDMENTS OR SUCH CHANGE ORDERS APPROVED BY THE OWNER AND THE CONTRACTOR ARE PART OF THESE CONTRACT DOCUMENTS.
- DO NOT SCALE DRAWINGS. CONSULT WITH THE ENGINEER REGARDING ANY ITEMS IN THE CONTRACT DOCUMENTS THAT REQUIRE CLARIFICATION.
- TRASH SHALL BE REMOVED FROM THE SITE NOT LESS THAN TWICE MONTHLY.
- THE GENERAL CONTRACTOR SHALL VERIFY EXISTING CONDITIONS PRIOR TO COMMENCING WORK AND REPORT ANY AND ALL DISCREPANCIES TO THE ARCHITECT.
- CONTRACTOR VEHICLES AND EQUIPMENT NECESSARY FOR CONSTRUCTION MAY BE PARKED ON THE SITE. OTHER VEHICLES PARKED ON THE SITE REQUIRE THE OWNER'S PERMISSION.
- ALL MATERIALS/EQUIPMENT SHALL BE INSTALLED PER MANUFACTURER'S RECOMMENDATIONS. WORK NOT CONSISTENT WITH MANUFACTURER'S RECOMMENDATIONS WILL BE REJECTED BY OWNER/ARCHITECT.

**DAMMON ENGINEERING, INC.**  
LOUISIANA & MISSISSIPPI

Chief Engineer: Brian Mistich, PE  
554 Old Spanish Trail  
Slidell, LA 70458  
www.dammonengineering.com  
info@dammonengineering.com  
PH: 985.649.5832

REVISIONS	DATE	DESCRIPTION
#		

SEAL:

NEW PRESS BOX ZONE

SHEET TITLE:  
**GENERAL INFORMATION SHEET**

DRAWING NUMBER:

**G101**

SHEET No: 1 of 7