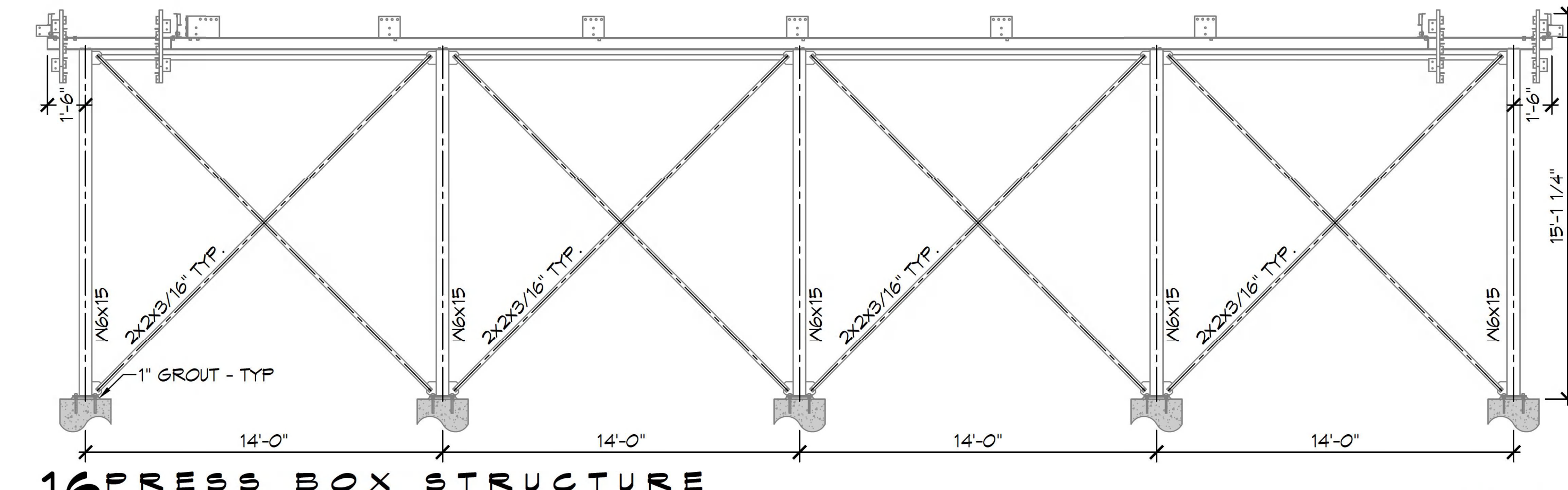
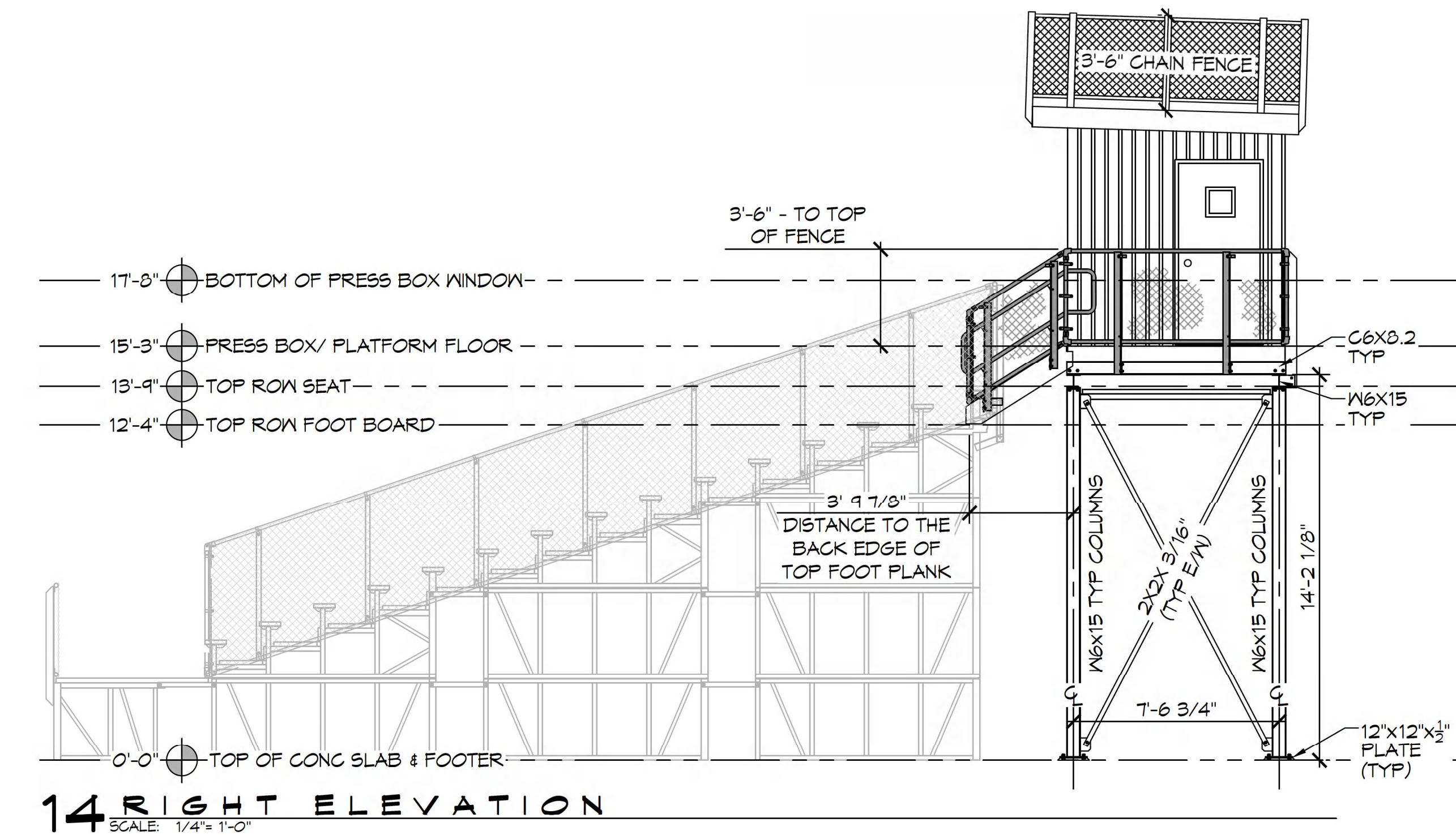


15 PRESS BOX STRUCTURE SCALE: 1/4" = 1'-0" PLAN VIEW



16 PRESS BOX STRUCTURE SCALE: 1/4" = 1'-0" WESTWARD FRONT VIEW

DAMMON ENGINEERING, INC.
LOUISIANA & MISSISSIPPI
www.dammonengineering.com
info@dammonengineering.com
Chief Engineer: Brian Misch, PE
554 Old Spanish Trail
Stielit, LA 70458
PH: 985.649.8832

#	DESCRIPTION	DATE
1	ADDED CHANNEL SIZES	08-10-22



NEW PRESS BOX
SSACMOOL HIGH

300 SPARTAN DRIVE
SULPPELL, LA 70458

JOB No: 2459 DATE: 07-14-2022
DRAWN BY: TNT CHECKED BY: BAM

SHEET TITLE:
PRESS BOX
LAYOUT &
ELEVATIONS

DRAWING NUMBER:
A102

SHEET No: 6 of 7

AS-BUILT