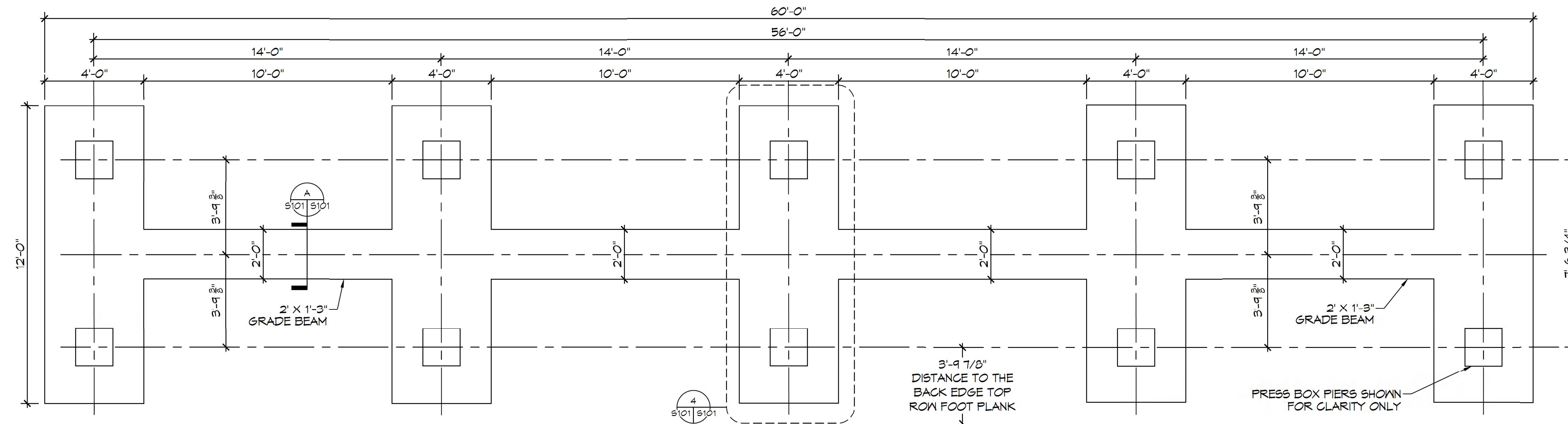


STRUCTURAL STEEL FRAMING

SEE SHEET A-102 FOR ALL STRUCTURAL STEEL FRAMING.

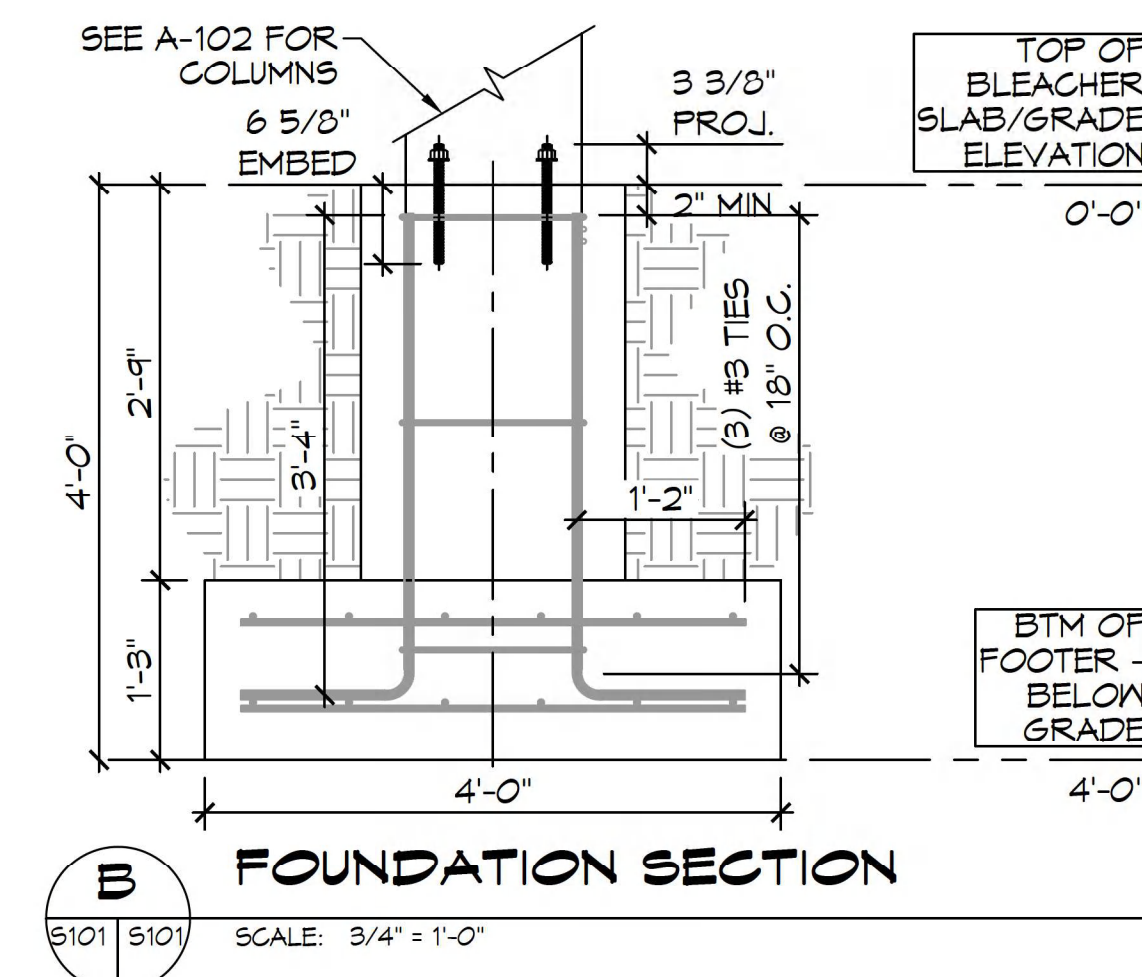
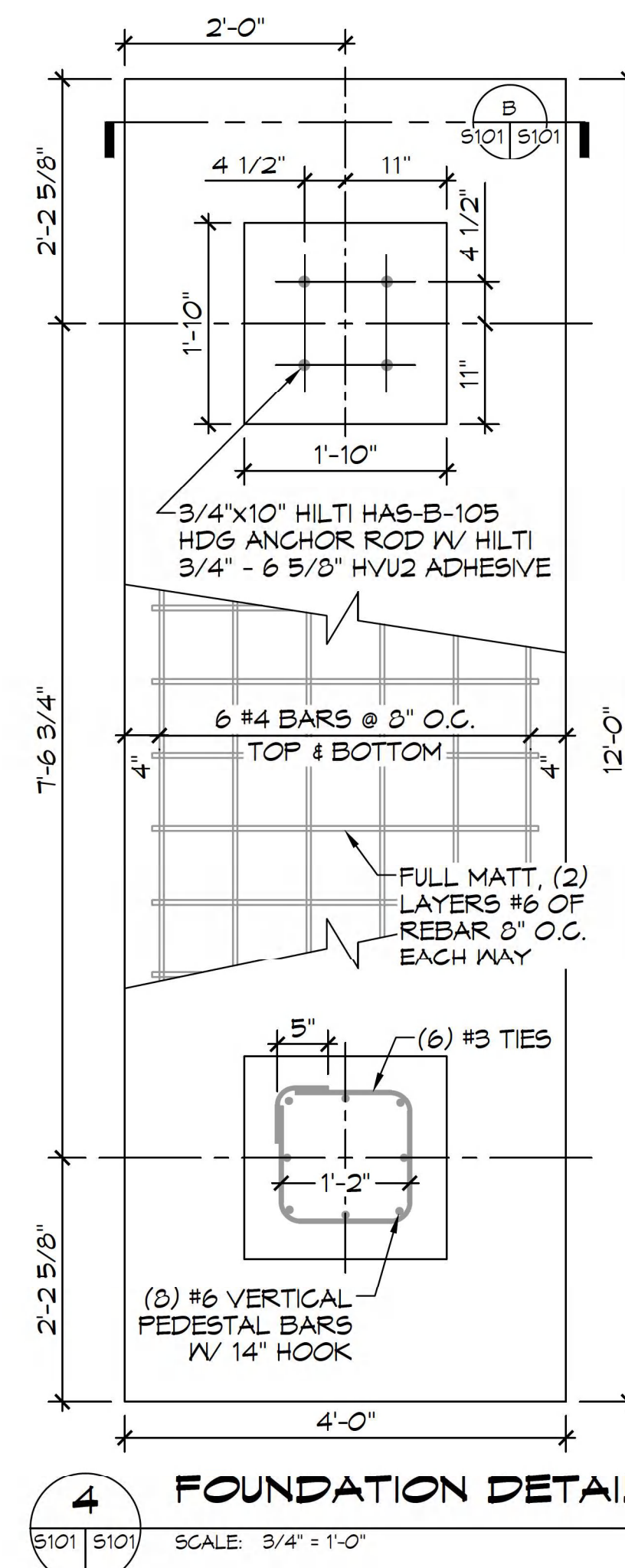
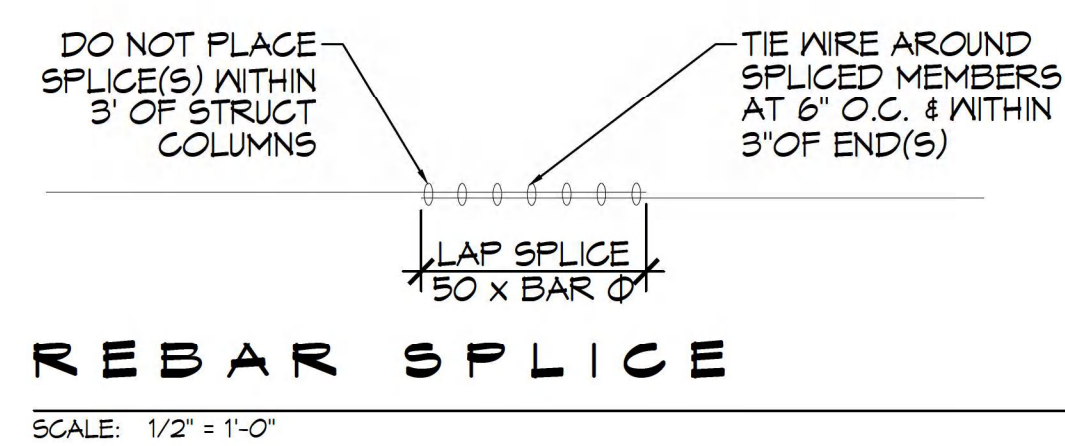
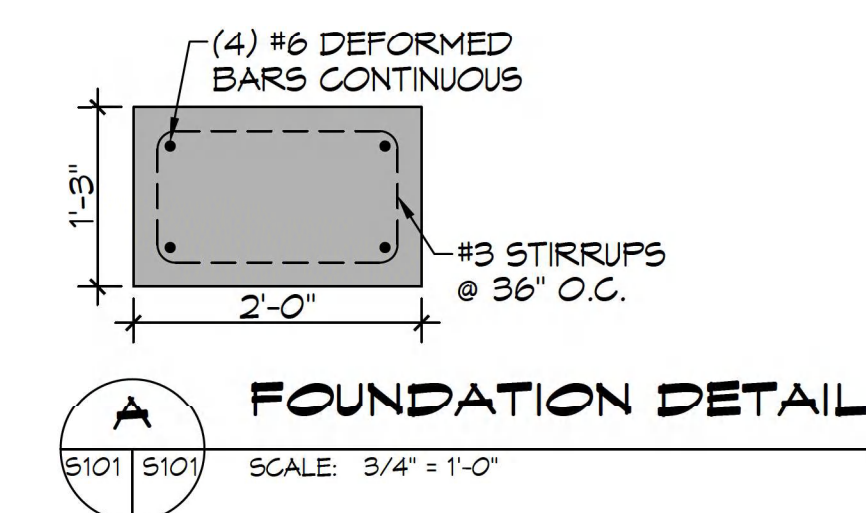
GENERAL FOUNDATION NOTES

1. CONCRETE MIX SHALL HAVE A MINIMUM COMPRESSIVE STRENGTH OF 4000 PSI AT 28 DAYS. CONCRETE MIX SHALL BE IN ACCORDANCE WITH ACI-318.
2. ALL CONVENTIONAL REINFORCING STEEL SHALL MEET ASTM-A615 (GRADE 60).
3. ALL REINFORCING STEEL AND MESH SHALL BE SECURELY SUPPORTED TO PREVENT BOTH VERTICAL AND HORIZONTAL MOVEMENT DURING CONCRETE PLACEMENT.
4. THE CONTRACTOR SHALL VERIFY ALL DROPS, OFFSETS, DIMENSIONS AND CONFIGURATIONS.
5. GRADE BEAM DIMENSIONS MAY VARY BY -5%, +20%.
6. EXCAVATE FOUR FOOT DEPTH WHERE NEW FOOTINGS ARE LOCATED.
7. FILL, AS A MINIMUM QUALITY, SHALL BE 40% CLAY AND 60% SAND MIXTURE, PLACED IN 6" LIFTS AND COMPACTED TO A MINIMUM OF 95% STANDARD PROCTOR. FOOTINGS ARE DESIGNED TO USE SOIL WITH A BEARING PRESSURE OF 2000 LBS. PER SQUARE FOOT OR MORE. IT IS RECOMMENDED THAT THE CONTRACTOR VERIFY ALLOWABLE SOIL BEARING PRESSURE CAPACITY BY CONTRACTING THE SERVICES OF A SOILS ENGINEERING COMPANY.



3 FOUNDATION PLAN
SCALE: 3/8" = 1'-0"

FRES BOX FOUNDATION



DAMMON ENGINEERING, INC.
LOUISIANA & MISSISSIPPI

www.dammonengineering.com
info@dammonengineering.com
PH: 985.699.8832

| REVISIONS | DATE |
|---------------|------|
| # DESCRIPTION | |



NEW PRESS BOX FOUNDATION

300 SPARTAN DRIVE
SULPHELL, LA 70458

JOB No: 2485 DATE: 07-14-2022
DRAWN BY: TNT CHECKED BY: BAM

SHEET TITLE:
FOUNDATION PLAN & DETAILS

DRAWING NUMBER:
S101

AS-BUILT