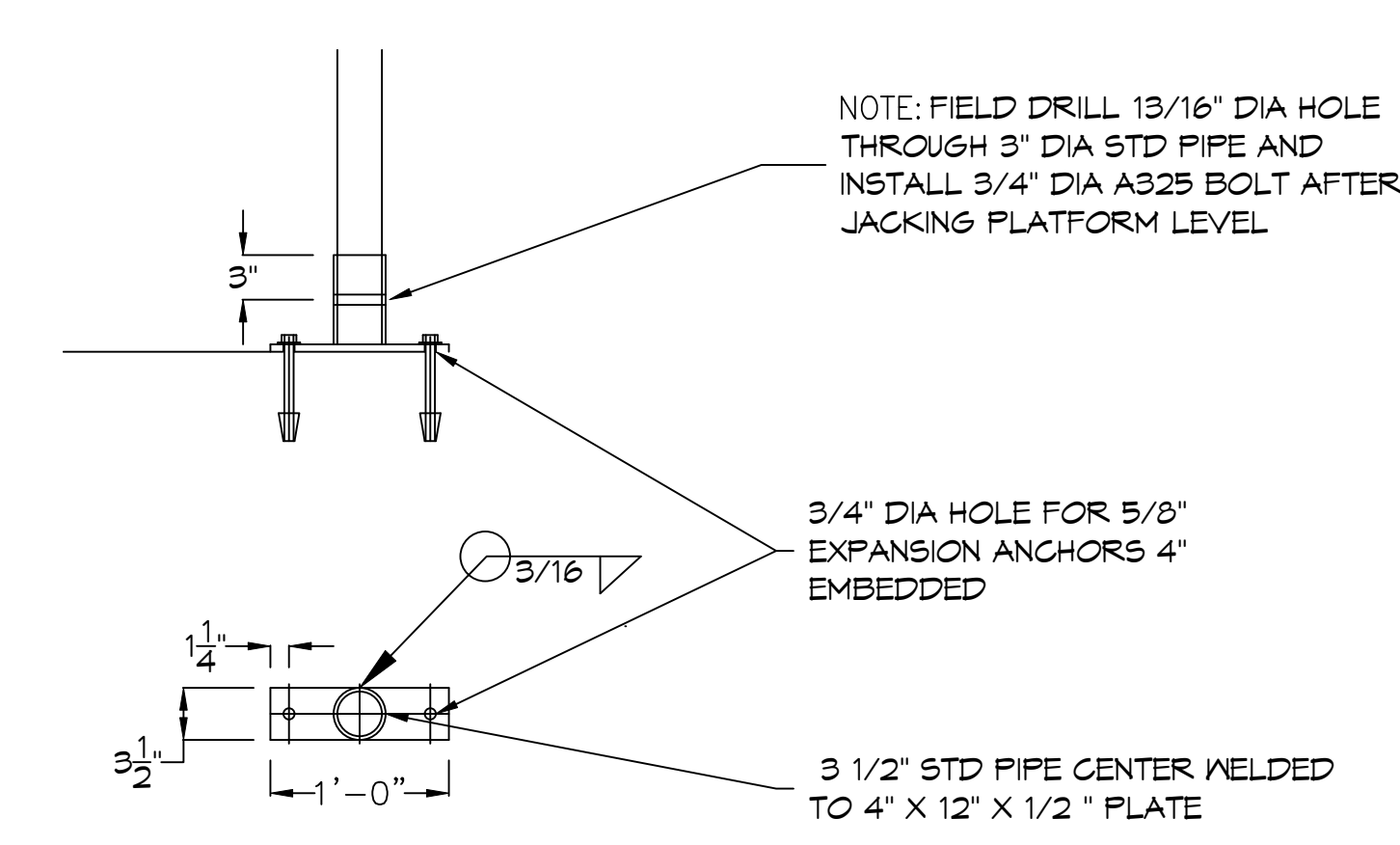
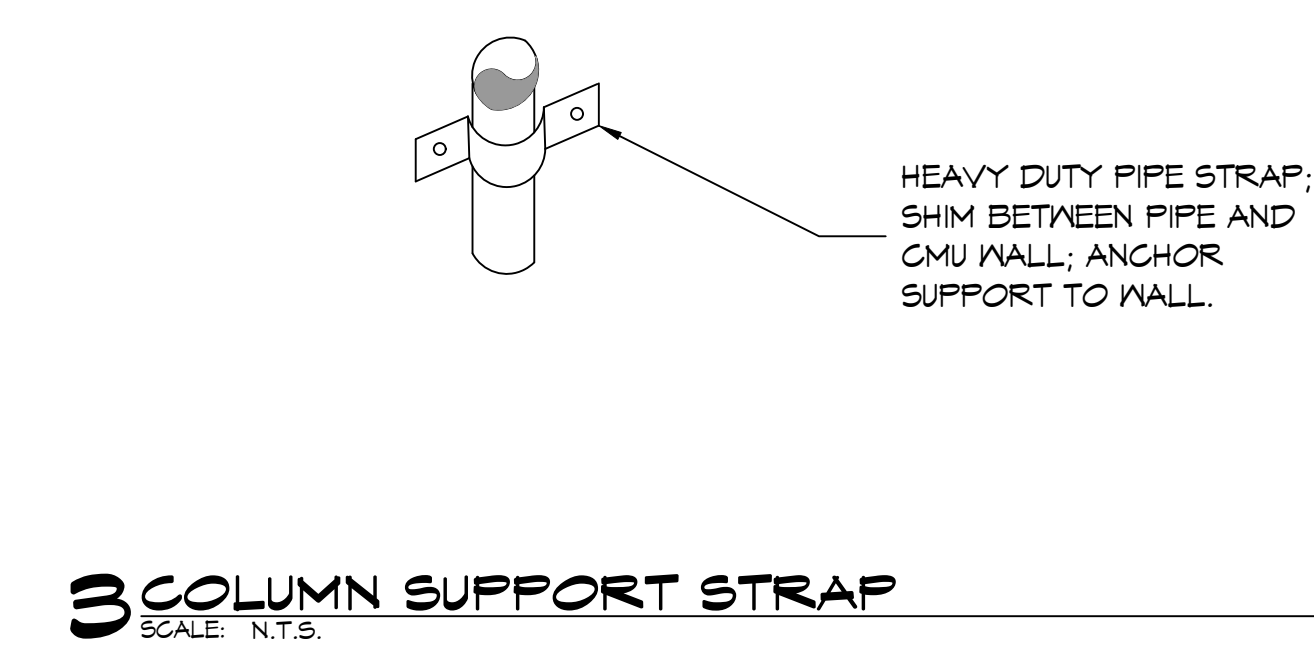
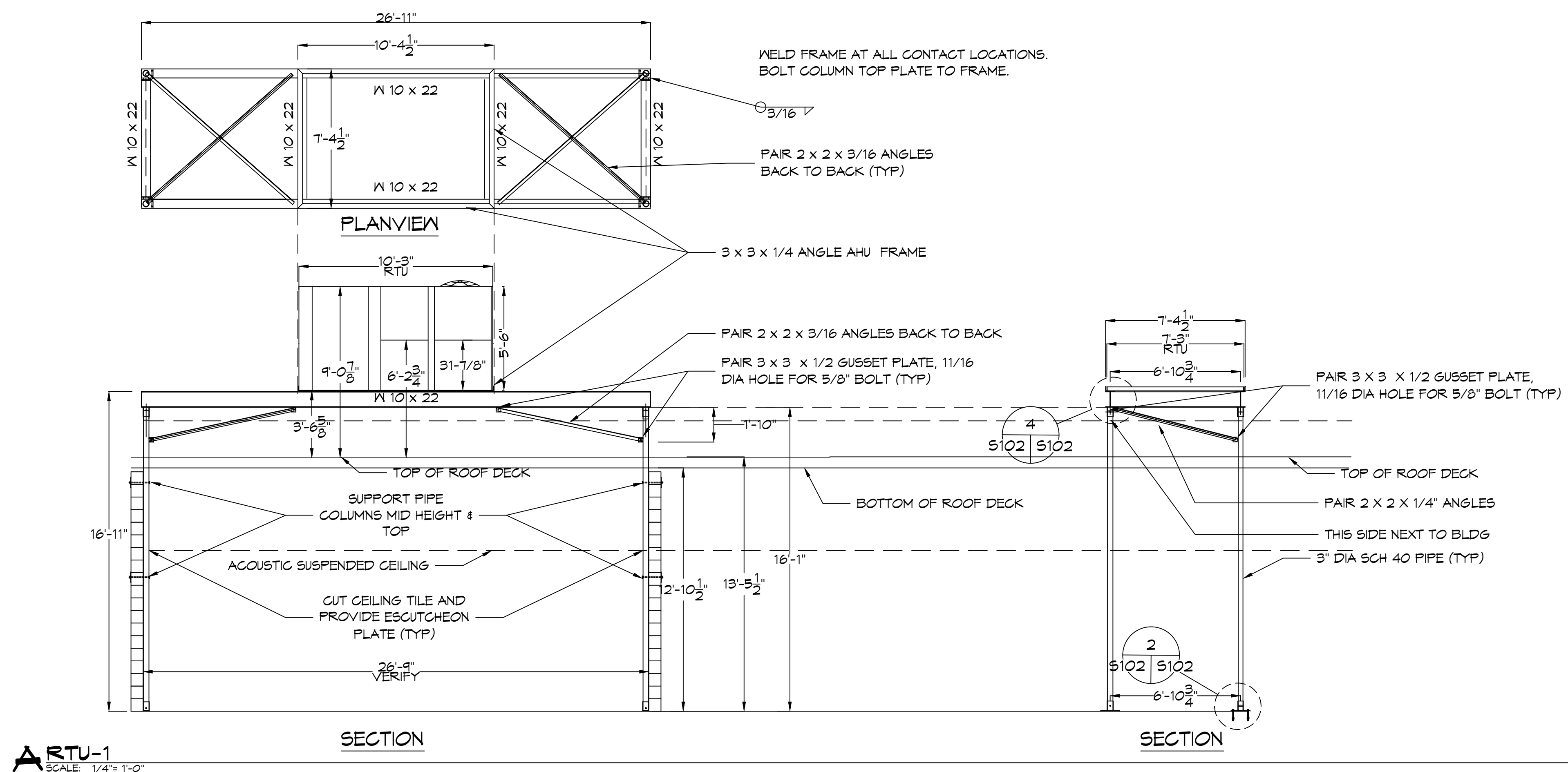
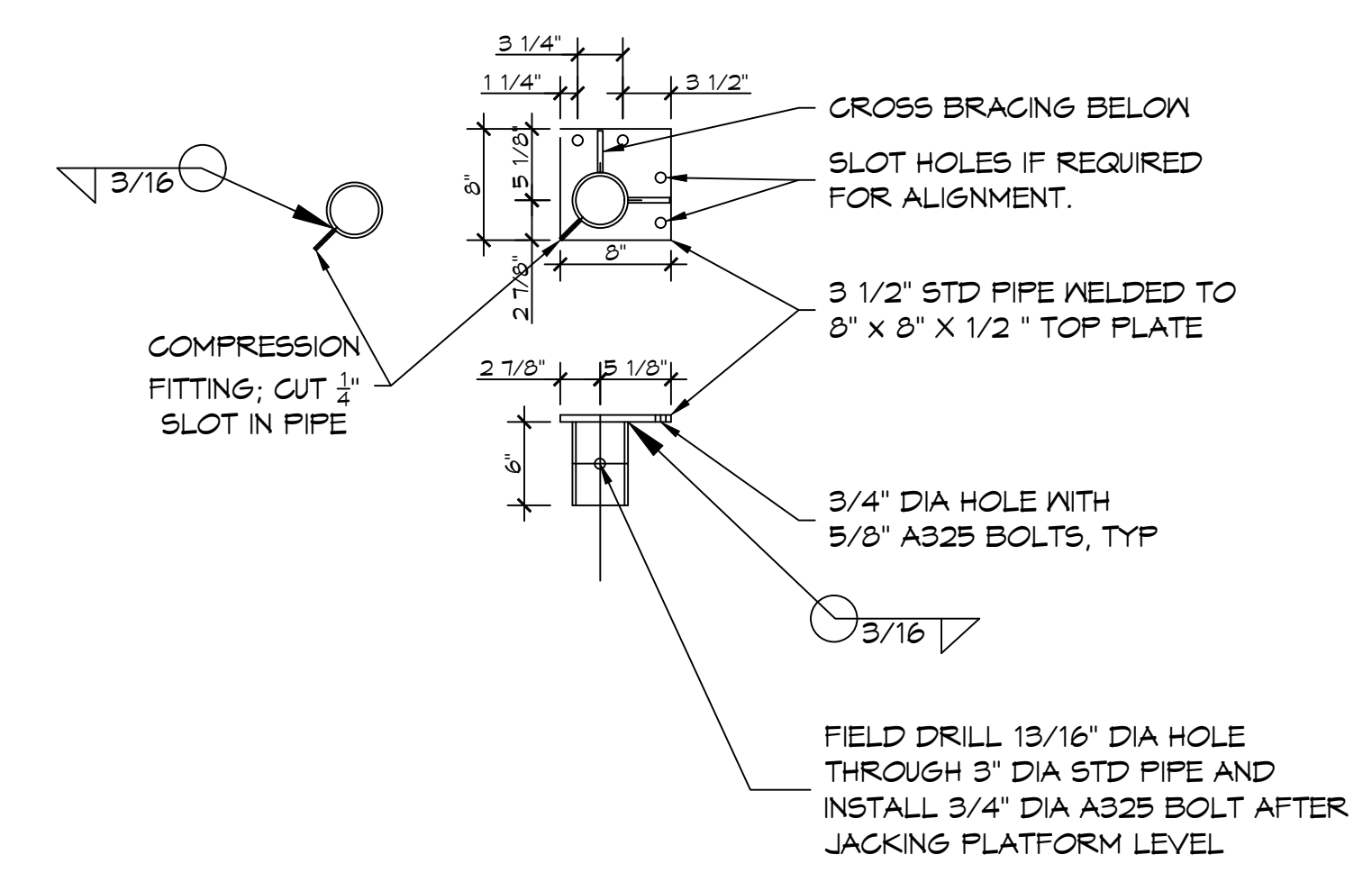


AS-BUILT



REVISIONS	DATE
1	2/17/2024
2	
3	
4	
5	
6	
7	
8	
9	
10	



MECHANICAL RENOVATIONS
BOYETT JUNIOR HIGH SCHOOL
2468 DATE: 12-29-2023
JOB No: 2468
DRAWN BY: BAW
CHECKED BY: BAW

SHEET TITLE:
STRUCTURAL DETAILS

DRAWING NUMBER:
S102
SHEET No: 4 of 9