

Add 15 ton
Packaged Unit

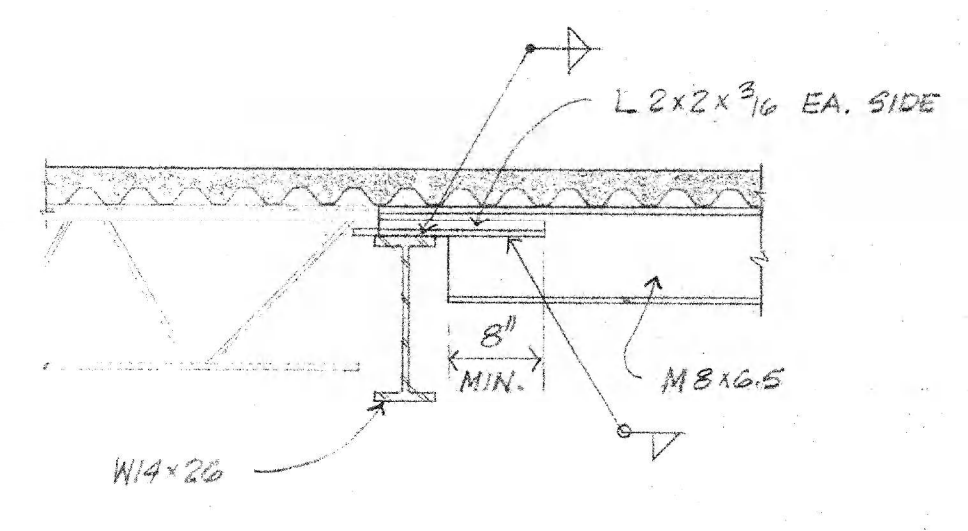
5 ft from
unit to
wall

5 ft from
unit to
wall

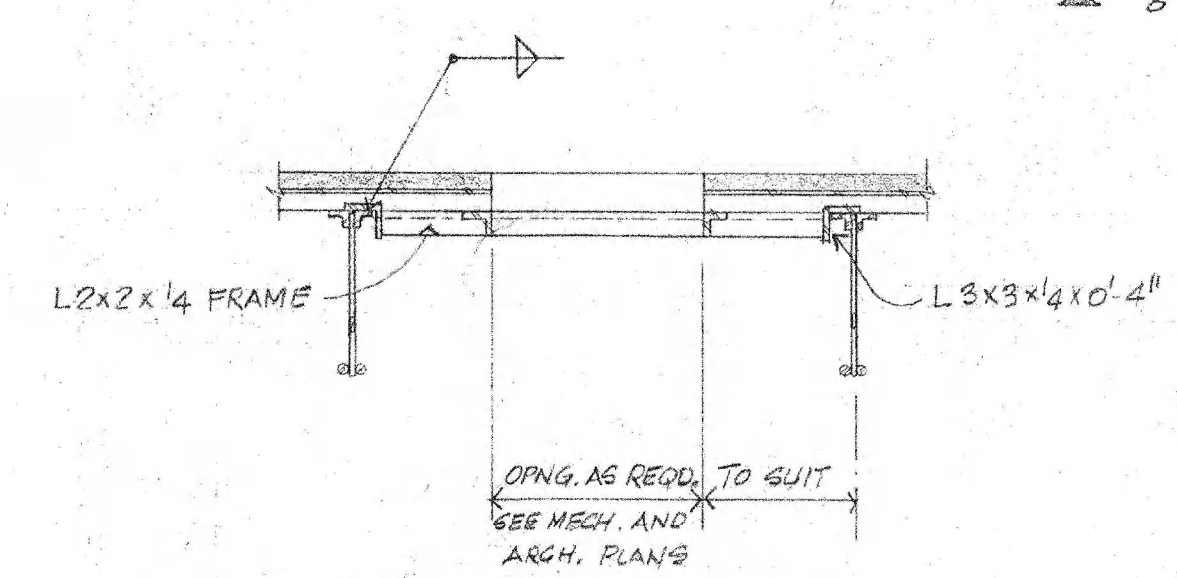
Add 15 ton
Packaged Unit

GYMNASIUM ROOF FRAMING PLAN
1/8" = 1'-0"

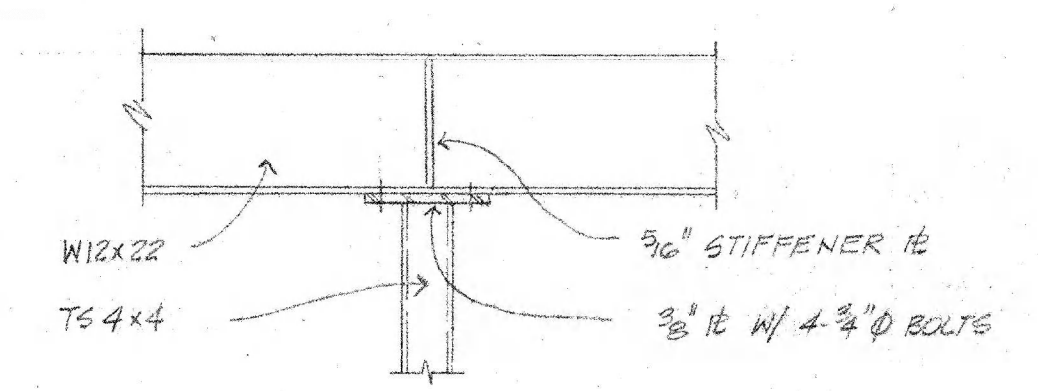
NOTE: STRUT JOISTS ARE JOISTS HAVING
A BOT. CHORD THE SAME SIZE AS THE TOP CHORD.



2 SECTION
SCALE: 3/4" = 1'-0"
RE: 1-63



3 TYP. ROOF OPNG. DTL.
NTG.
RE: 2-61, 1-63



4 SECTION
SCALE: 3/4" = 1'-0"
RE: 1-63



PERRAULT & PERRAULT
CONSULTING ENGINEERS
BATON ROUGE, LOUISIANA

Project no.	5102
Drawn	
Checked	
Date	7-73
Revised	

HAMILTON, MEYER and ASSOCIATES, INC.
ARCHITECT and ENGINEER

GYMNASIUM: FRAMING PLAN, DETAILS
ADDITIONS TO BOYET JUNIOR HIGH SCHOOL
SLIDELL, LOUISIANA
ST. TAMMANY PARISH SCHOOL BOARD, OWNER

sheet no.
S-3
of 3 sheets