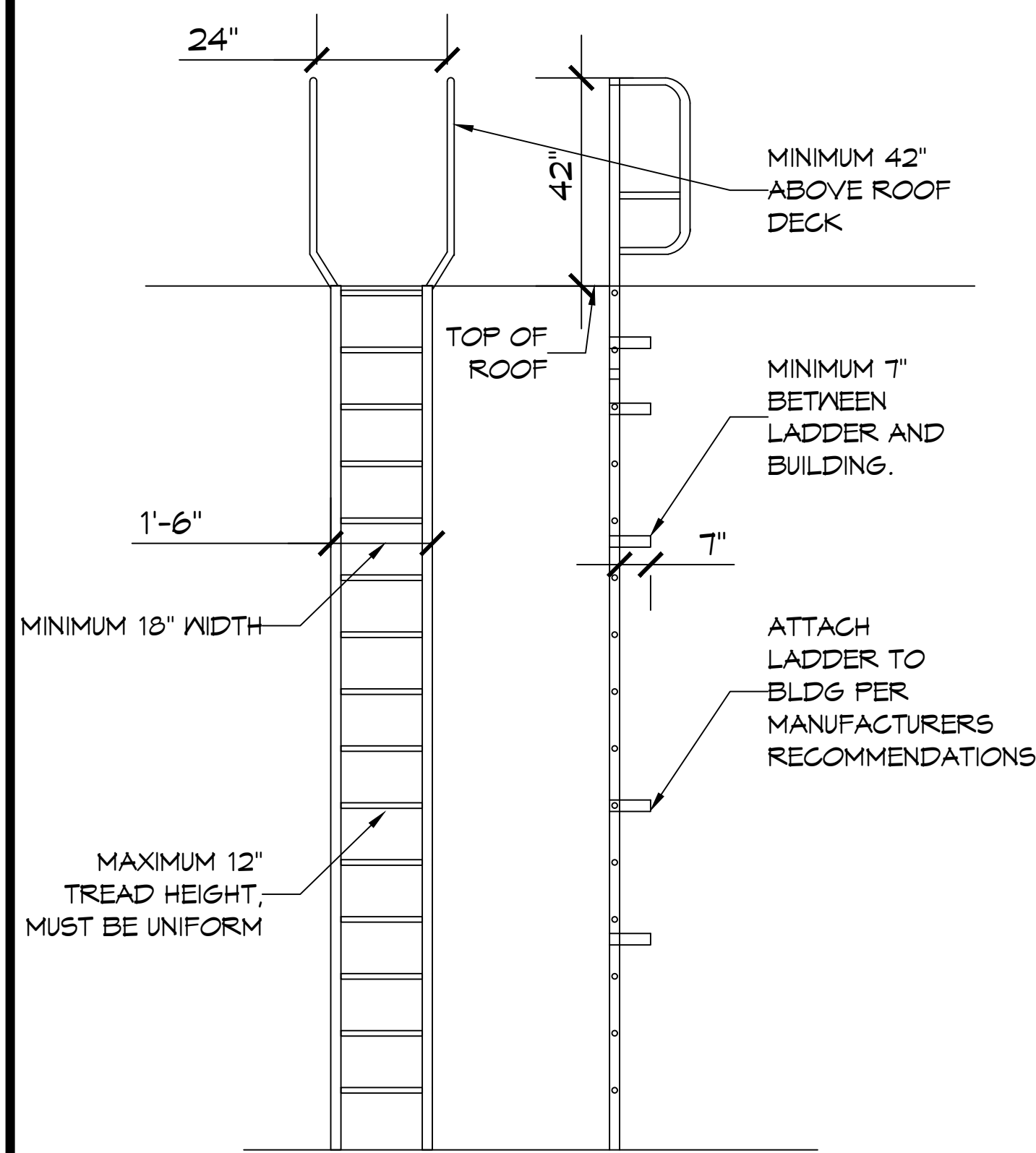
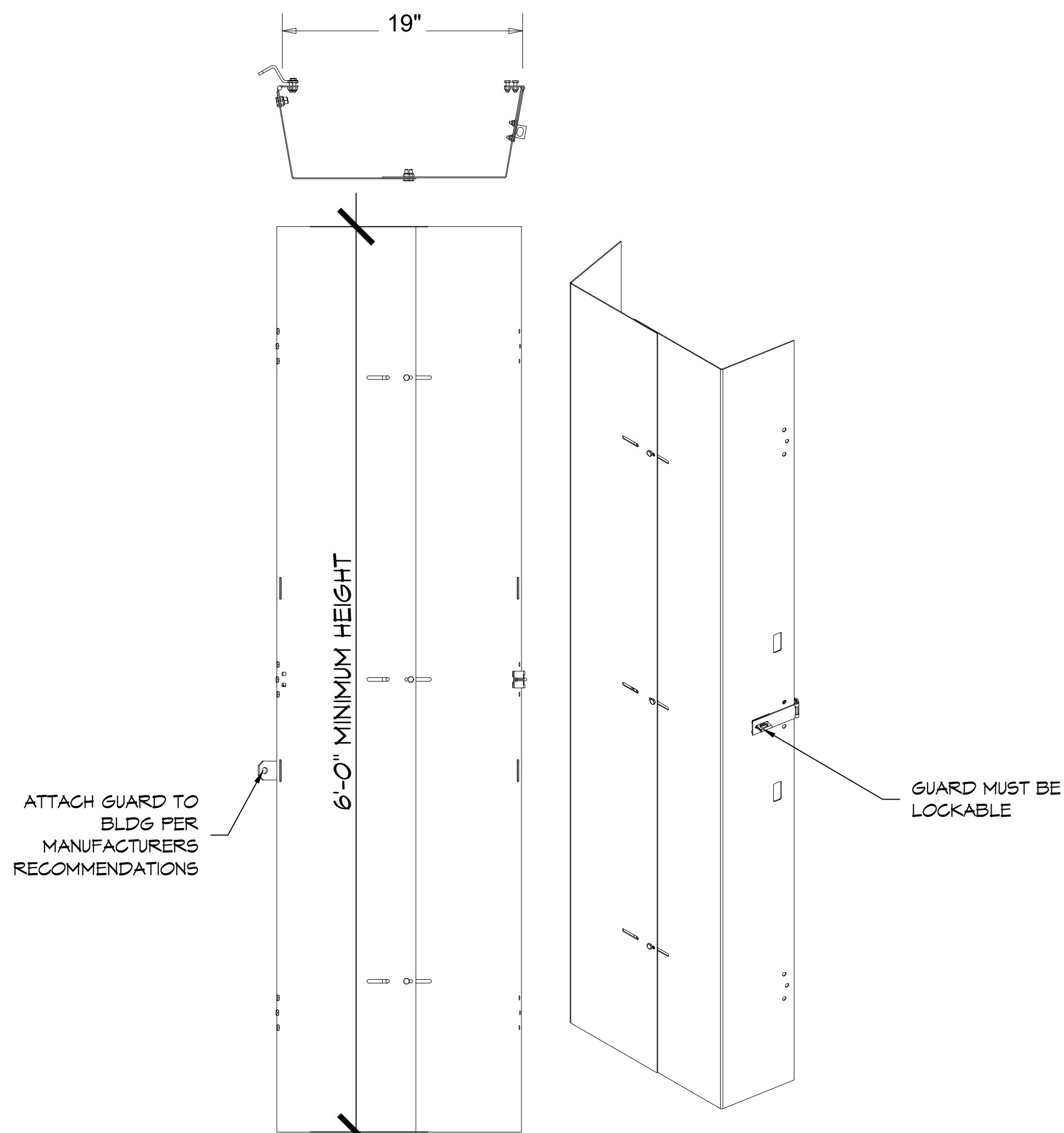


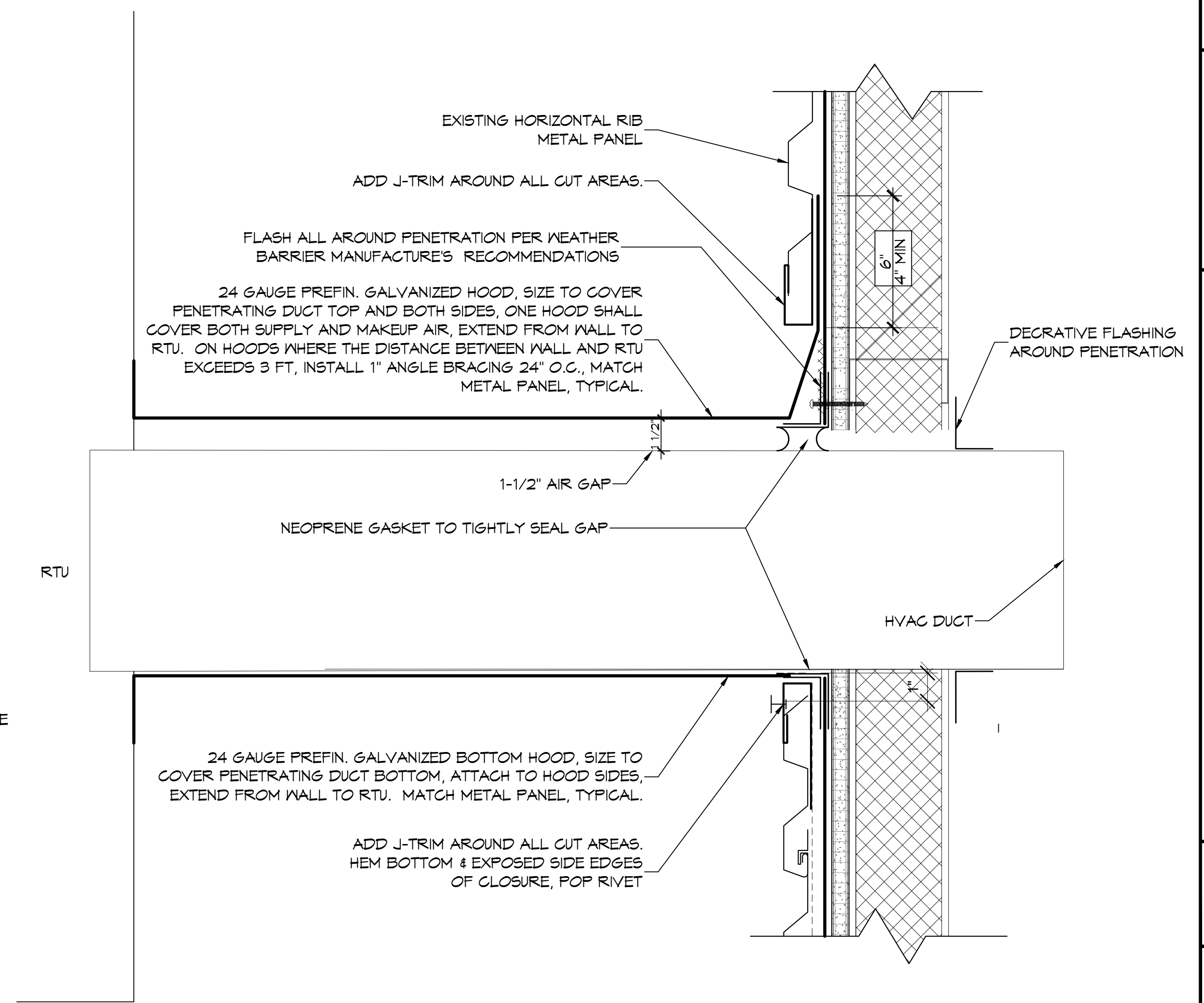
FILE NAME: A:\-Schools\K12\HARRIS\PROJECTS\2023\100001248 - Bldg. Alter. Add. School (01)\CADD\248 - Details.dwg, DATE: 03/21/2023, 2:30:00 PM, USER: brian.mistich



a LADDER
 SCALE: 1/8" = 1'-0"
F PERSONNEL LADDER
 SCALE: 1/8" = 1'-0"



b SECURITY LADDER GUARD
 SCALE: 1/8" = 1'-0"



G METAL PANEL WALL PENETRATION, TYPICAL
 SCALE: 1/8" = 1'-0"

#	DESCRIPTION	DATE



MECHANICAL RENOVATIONS	
BOYETT JUNIOR HIGH SCHOOL	
51295 Rebel Dr. Slidell, LA 70461	DATE: 3-1-2023
JOB No: 2465	CHECKED BY: CKD
DRAWN BY: BAW	

SHEET TITLE:
 DETAILS

DRAWING NUMBER:
M103