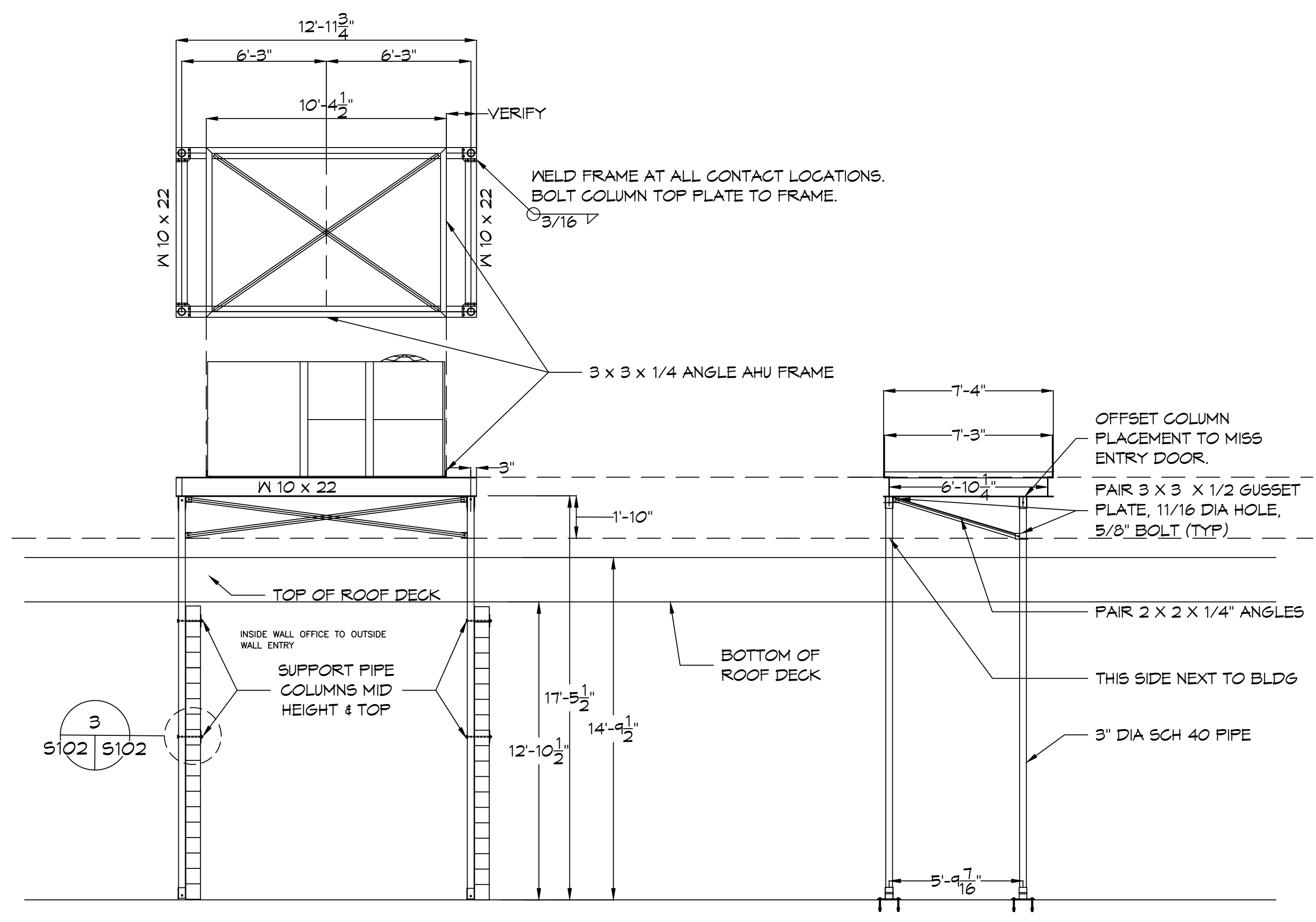
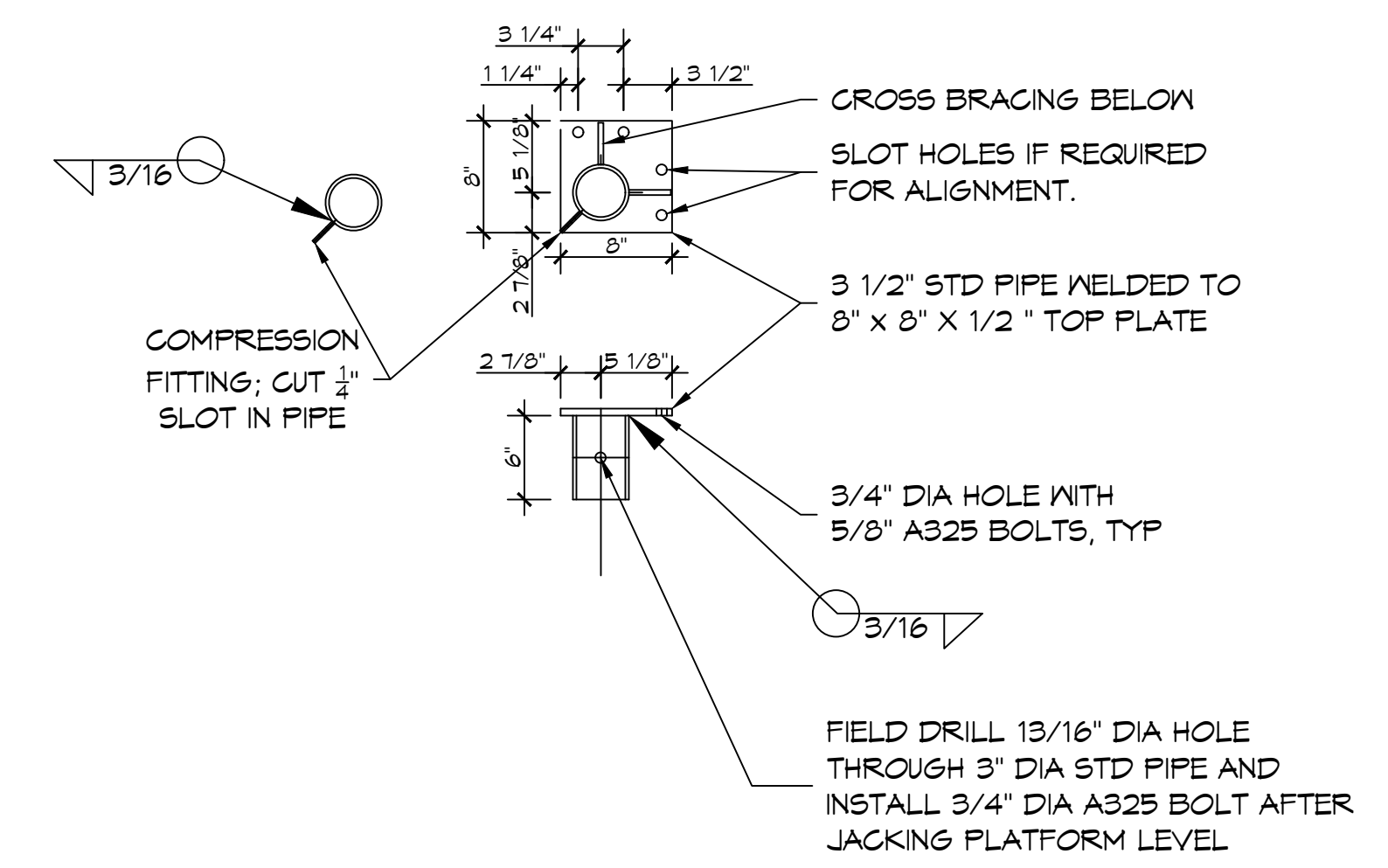


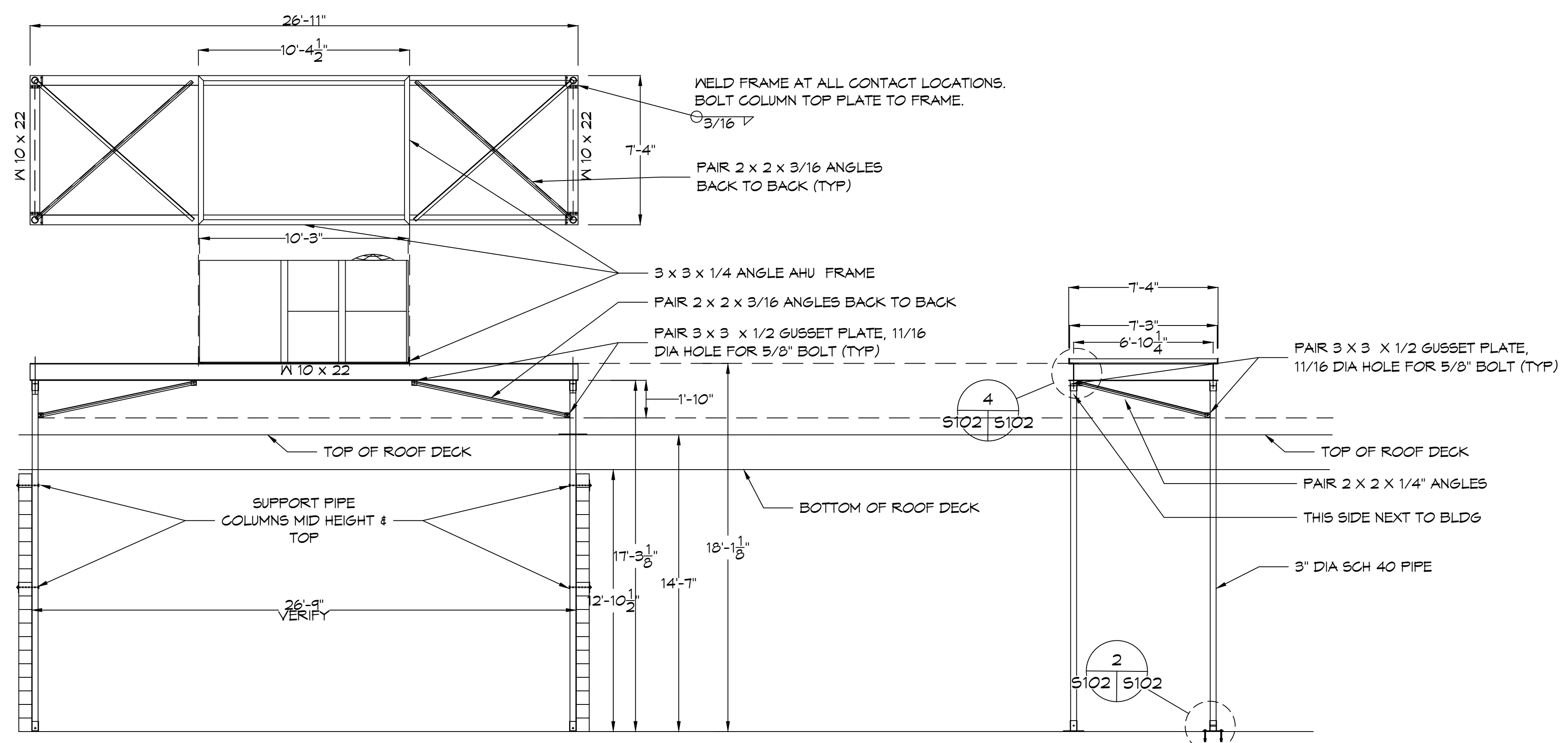
FILE NAME: P:\1 - School Renovation\MECHANICAL\BOYHIGHSCHOOL\MECHANICAL\Structural\Details\BRTU-2.dwg - Plot Date: 03/21/2023 10:04:14 AM - Plot Path: P:\1 - School Renovation\MECHANICAL\BOYHIGHSCHOOL\MECHANICAL\Structural\Details\BRTU-2.dwg



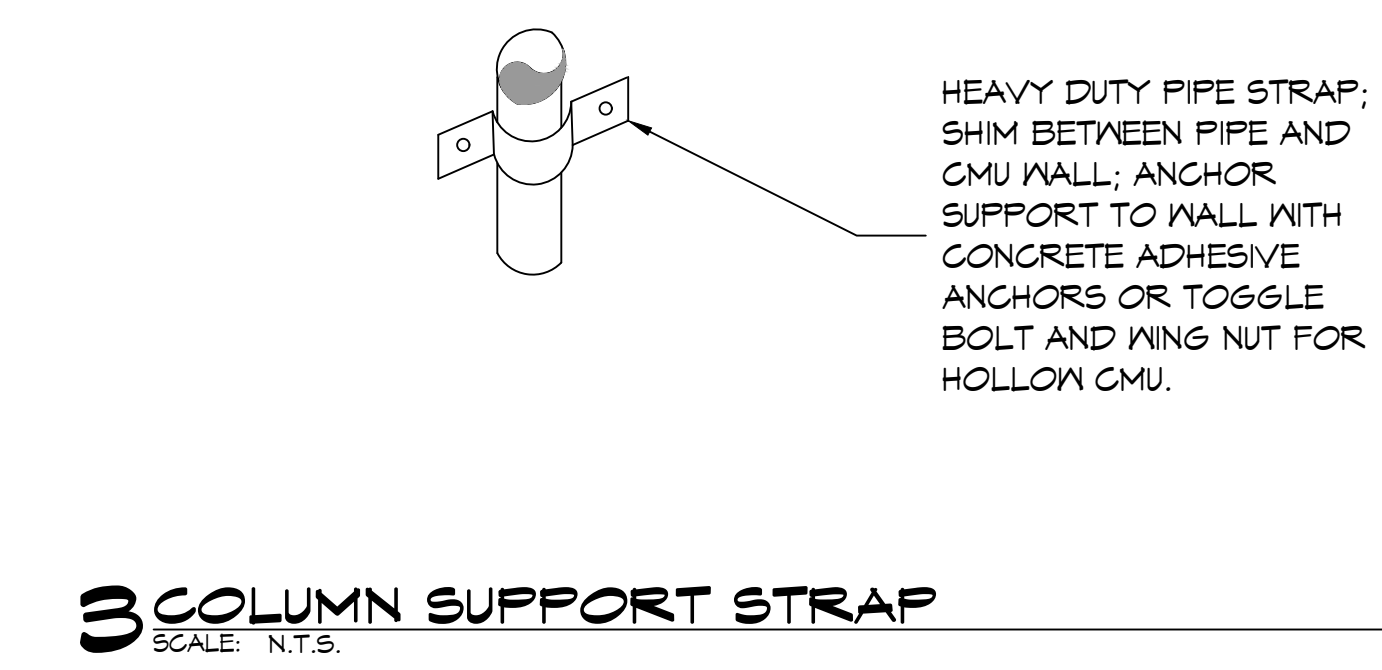
BRTU-2
SCALE: 1/4" = 1'-0"



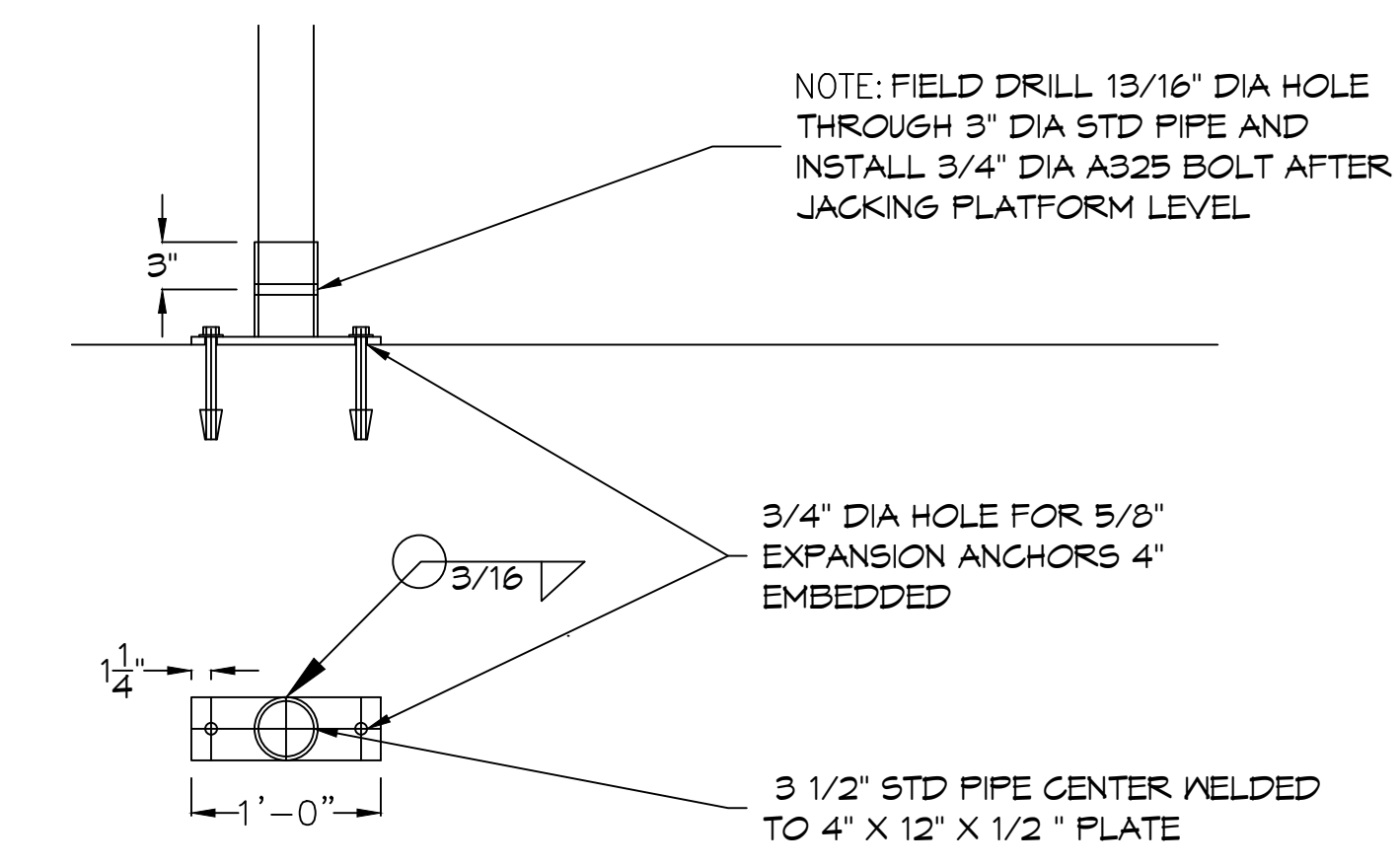
4 COLUMN TOP PLATE
SCALE: N.T.S.



ARTU-1
SCALE: 1/4" = 1'-0"



3 COLUMN SUPPORT STRAP
SCALE: N.T.S.



2 COLUMN BASE PLATE
SCALE: N.T.S.

#	DESCRIPTION	DATE



MECHANICAL RENOVATIONS	
BOYHIGHSCHOOL	
5/2/2025 Rebel Dr. Slidell, LA 70461	DATE: 3-1-2023
JOB No: 2465	CHECKED BY: BAK
DRAWN BY: CKD	

SHEET TITLE:
 STRUCTURAL DETAILS
 DRAWING NUMBER:
S102
 SHEET No: 4 of 9